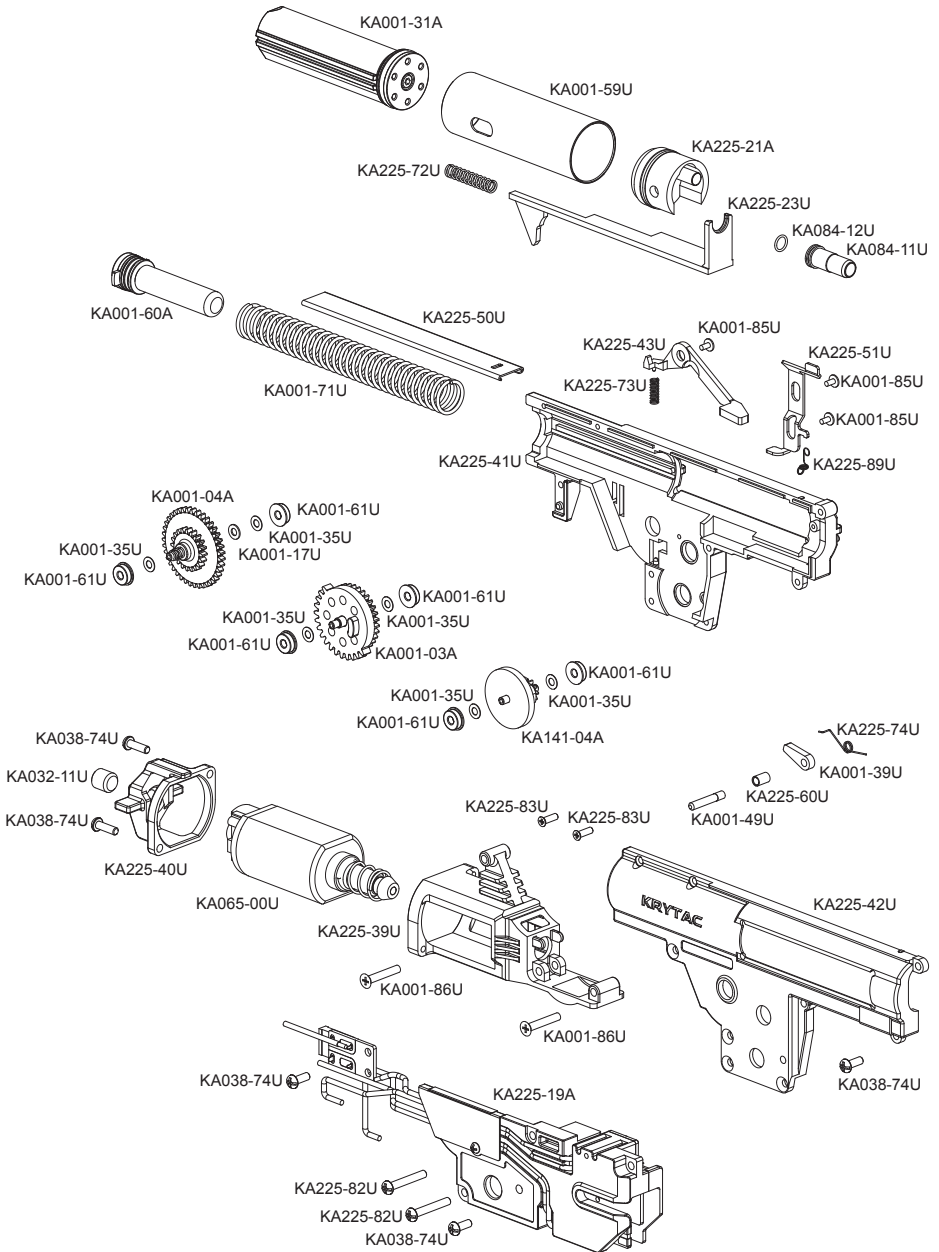
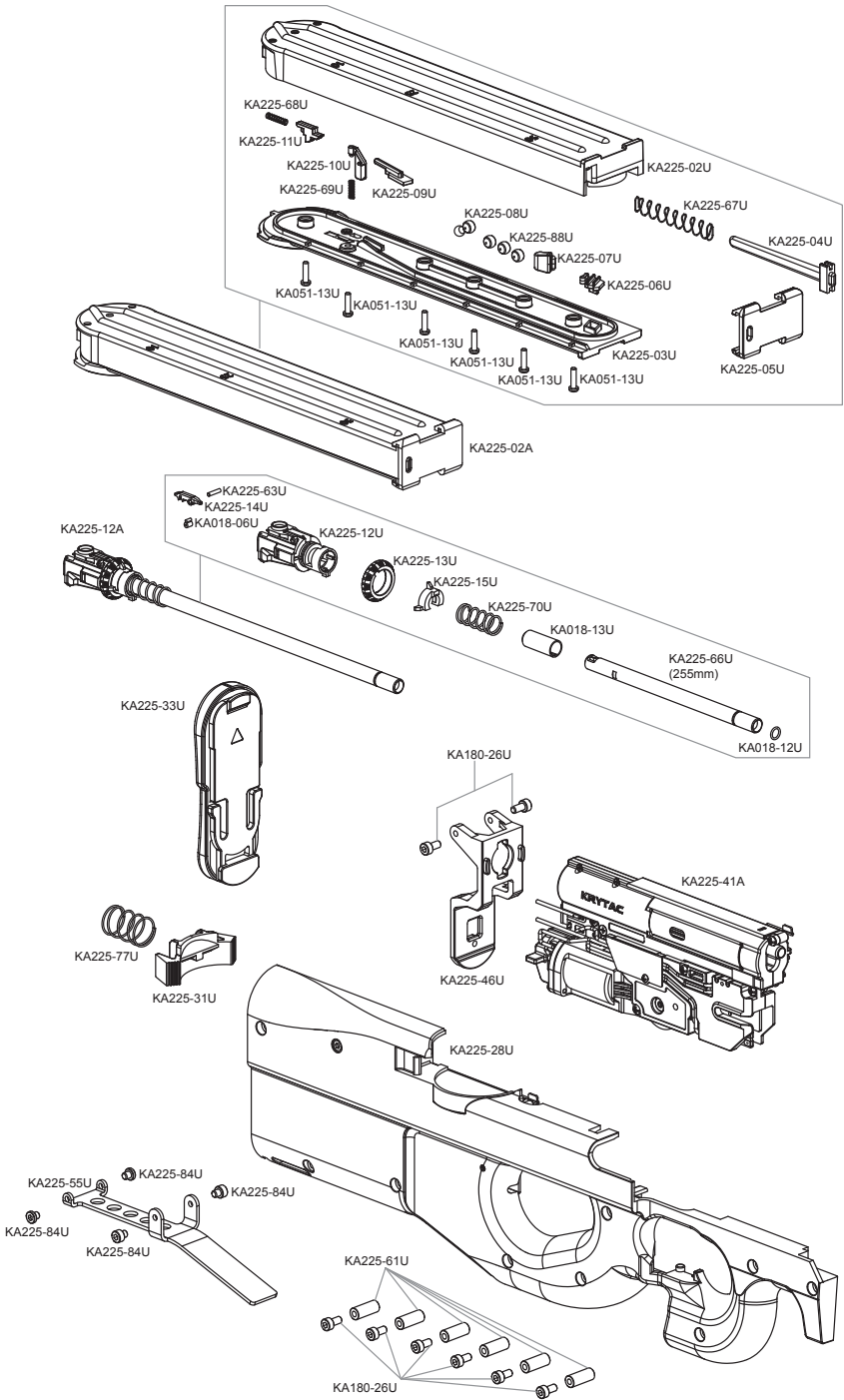


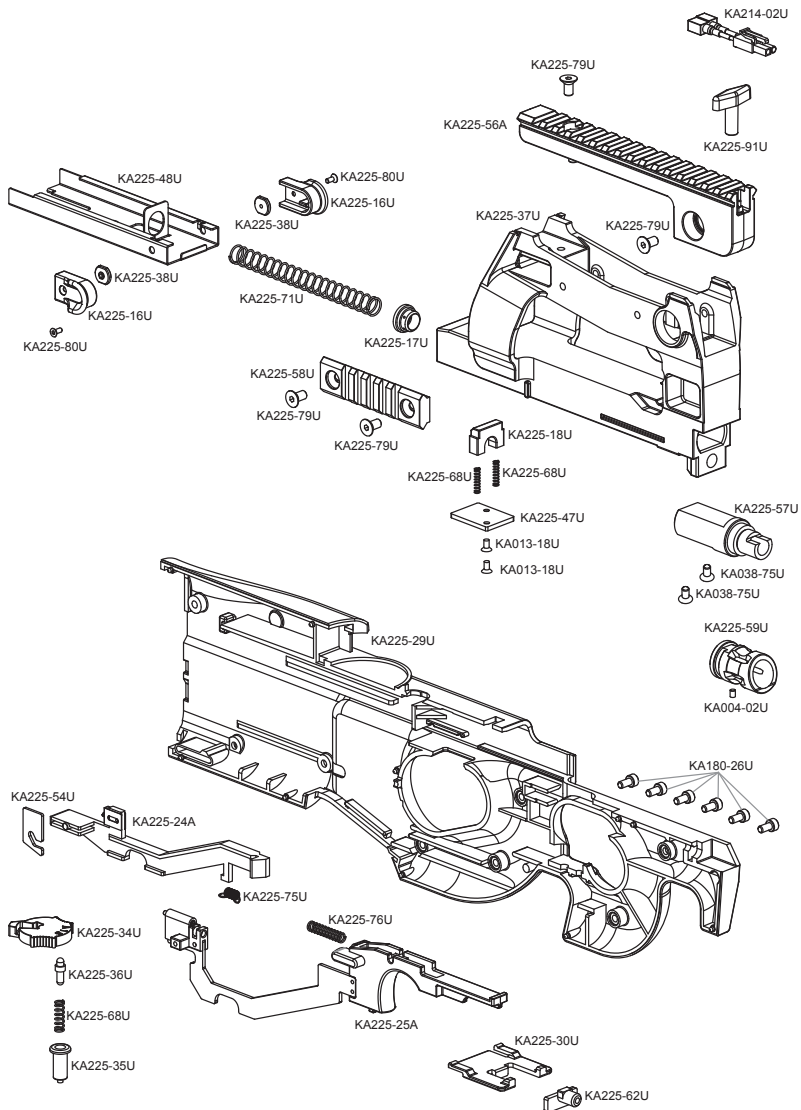
COMPONENT DIAGRAM: GEARBOX



COMPONENT DIAGRAM



COMPONENT DIAGRAM



COMPONENT LIST

PART #	NAME		
KA001-03A	SECTOR GEAR	KA214-02U	T-PLUG TO TAMIYA ADAPTOR
KA001-04A	SPUR GEAR	KA225-02A	MAGAZINE
KA001-31A	PISTON ASSEMBLY	KA225-02U	MAGAZINE UPPER HOUSING
KA001-35U	SHIM	KA225-03U	MAGAZINE LOWER HOUSING
KA001-61U	BEARING	KA225-04U	MAGAZINE SPRING GUIDE
KA001-39U	ANTI-REVERSE LATCH	KA225-05U	MAGAZINE BASE CAP
KA001-49U	ANTI-REVERSE LATCH PIN	KA225-06U	MAGAZINE 50RD SWITCH
KA001-58U	PISTON HEAD NOZZLE	KA225-07U	MAGAZINE FOLLOWER-3
KA001-59U	CYLINDER (TYPE 1)	KA225-08U	MAGAZINE FOLLOWER-2
KA001-60A	SPRING GUIDE ASSEMBLY	KA225-09U	MAGAZINE POWER CUT-OFF SWITCH-1
KA001-71U	MAIN SPRING (M120)	KA225-10U	MAGAZINE POWER CUT-OFF SWITCH-2
KA001-85U	SELECTOR TRANSFER GEAR SCREW	KA225-11U	MAGAZINE POWER CUT-OFF LEVER
KA001-86U	GEARBOX SHELL SCREW (LONG)	KA225-12A	HOP-UP ASSEMBLY
KA004-02U	SET SCREW (M3X4)	KA225-12U	HOP-UP BODY
KA013-18U	FLAT HEAD PHILLIPS SCREW (M3X6)	KA225-13U	HOP-UP DIAL
KA018-06U	HOP-UP NUB	KA225-14U	HOP-UP ARM
KA018-12U	FRONT BARREL O-RING	KA225-15U	HOP-UP BARREL CLIP
KA018-13U	HOP-UP BUCKING	KA225-16U	CHARGING HANDLE
KA032-11U	MOTOR HEIGHT ADJUSTMENT SCREW (M8X10)	KA225-17U	CHARGING HANDLE SPRING STOPPER
KA038-74U	ROUND HEAD PHILLIPS SCREW (M3X10)	KA225-18U	UPPER RECEIVER LOCK
KA038-75U	FLAT HEAD PHILLIPS SCREW (M4X8)	KA225-19A	PCB HOUSING ASSEMBLY
KA051-13U	ROUND HEAD PHILLIPS SCREW (M3X12)	KA225-21A	CYLINDER HEAD ASSEMBLY
KA065-00U	MOTOR	KA225-23U	TAPPET PLATE
KA084-11U	AIR NOZZLE	KA225-24A	FIRE SELECT TRANSFER BAR
KA084-12U	AIR NOZZLE O-RING	KA225-25A	TRIGGER ASSEMBLY
KA141-04A	BEVEL GEAR	KA225-28U	LOWER RECEIVER (RIGHT)
KA180-26U	ROUND HEAD ALLEN SCREW (M4X8)	KA225-29U	LOWER RECEIVER (LEFT)
		KA225-30U	HOP-UP COVER
		KA225-31U	MAG RELEASE
		KA225-33U	BATTERY COVER
		KA225-34U	FIRE SELECTOR
		KA225-35U	FIRE SELECTOR BASE

COMPONENT LIST

KA225-36U	FIRE SELECTOR DETENT	KA225-75U	FIRE SELECT TRANSFER BAR SPRING
KA225-37U	UPPER RECEIVER	KA225-76U	TRIGGER SPRING
KA225-38U	CHARGING HANDLE SCREW BUSHING	KA225-77U	MAG CATCH SPRING
KA225-39U	MOTOR CAGE	KA225-79U	FLAT HEAD ALLEN SCREW (M5X10)
KA225-40U	MOTOR CAGE COVER	KA225-80U	FLAT HEAD ALLEN SCREW (M2.5X6)
KA225-41A	GEARBOX ASSEMBLY	KA225-82U	ROUND HEAD PHILLIPS SCREW (M3X20)
KA225-41U	GEARBOX SHELL (LEFT)	KA225-83U	ROUND HEAD PHILLIPS SCREW (M2.5X8)
KA225-42U	GEARBOX SHELL (RIGHT)	KA225-84U	ROUND HEAD ALLEN SCREW (M4X4)
KA225-43U	CUT OFF LEVER	KA225-88U	MAGAZINE FOLLOWER-1
KA225-46U	GEARBOX COVER BRACKET	KA225-89U	SWITCH LEVER SPRING
KA225-47U	UPPER RECEIVER PUSH BUTTON CAP	KA225-91U	TOP RAIL FRONT SIGHT POST ADJUSTMENT TOOL
KA225-48U	CHARGING HANDLE PLATE		
KA225-50U	GEARBOX SHELL LOCKING PLATE		
KA225-51U	SWITCH LEVER		
KA225-54U	FIRE SELECT PLATE		
KA225-55U	EJECTION PORT COVER		
KA225-56A	TOP RAIL		
KA225-57U	OUTER BARREL		
KA225-58U	SIDE RAIL		
KA225-59U	COMPENSATOR		
KA225-60U	ARL BUSHING		
KA225-61U	LOWER RECEIVER NUT		
KA225-62U	UPPER RECEIVER NUT		
KA225-63U	HOP-UP ARM FIXED PIN		
KA225-66U	INNER BARREL (255MM)		
KA225-67U	MAGAZINE MAIN SPRING		
KA225-68U	SPRING (0.4X3.3X15.2X10T)		
KA225-69U	SPRING (0.2X3.1X10.6X12T)		
KA225-70U	HOP-UP SPRING		
KA225-71U	CHARGING HANDLE SPRING		
KA225-72U	TAPPET PLATE SPRING		
KA225-73U	CUT OFF LEVER SPRING		
KA225-74U	ARL SPRING		