



RIMFIRE

MAUSER AK47

CAL. .22 LR HV



MAUSER AK47 Omega



MAUSER AK47

Illustrations may deviate
Abbildungen können ggf. abweichen
Les illustrations peuvent différer
Las ilustraciones pueden desviarse

Version 08/2023
Art. No.: 407.70.10.1

EN Instructions for Use
DE Gebrauchsanleitung

FR Mode d'emploi
ES Instrucciones de Uso



MAUSER AK47 CAL. .22 LR HV



RIMFIRE

INTRODUCTION

EN

DE

FR

ES

Description	Page
Safety regulations	2-3
Main parts/Technical data	4
Stock assembly/Folding stock assembly	5
Safety mechanism	6
Loading	6-7
Firing	8
Reload during firing	8
Unload the gun (magazine not empty)	9
Unload the gun (magazine empty)	10
Decocking the gun	10
Sights/Sight adjustment	11
Maintenance - disassembling	12-13
Maintenance - cleaning	14
Maintenance - reassembling	14-15
Care of the gun	16
Muzzle nut /Muzzle break	16
Mounting/Dismounting grips	17-18
Trouble shooting	19
Safekeeping and storage of gun	20
Warranty repair	20
Disposal	20



WARNING

THE LIABILITY / WARRANTY OF THE MANUFACTURER EXPIRES AS SOON AS IMPROPER MODIFICATIONS ARE MADE TO THE PRODUCT OR ACTIVITIES / CONVERSIONS ARE CARRIED OUT BY A NON-EXPERT / UNAUTHORIZED PERSON. THE NATIONAL, REGIONAL AND LOCAL LAWS AND OTHER REGULATIONS ALWAYS APPLY.

TECHNICAL DATA

Caliber .22 Long Rifle HV

Magazine capacity / rounds 24/15*/10*/2*

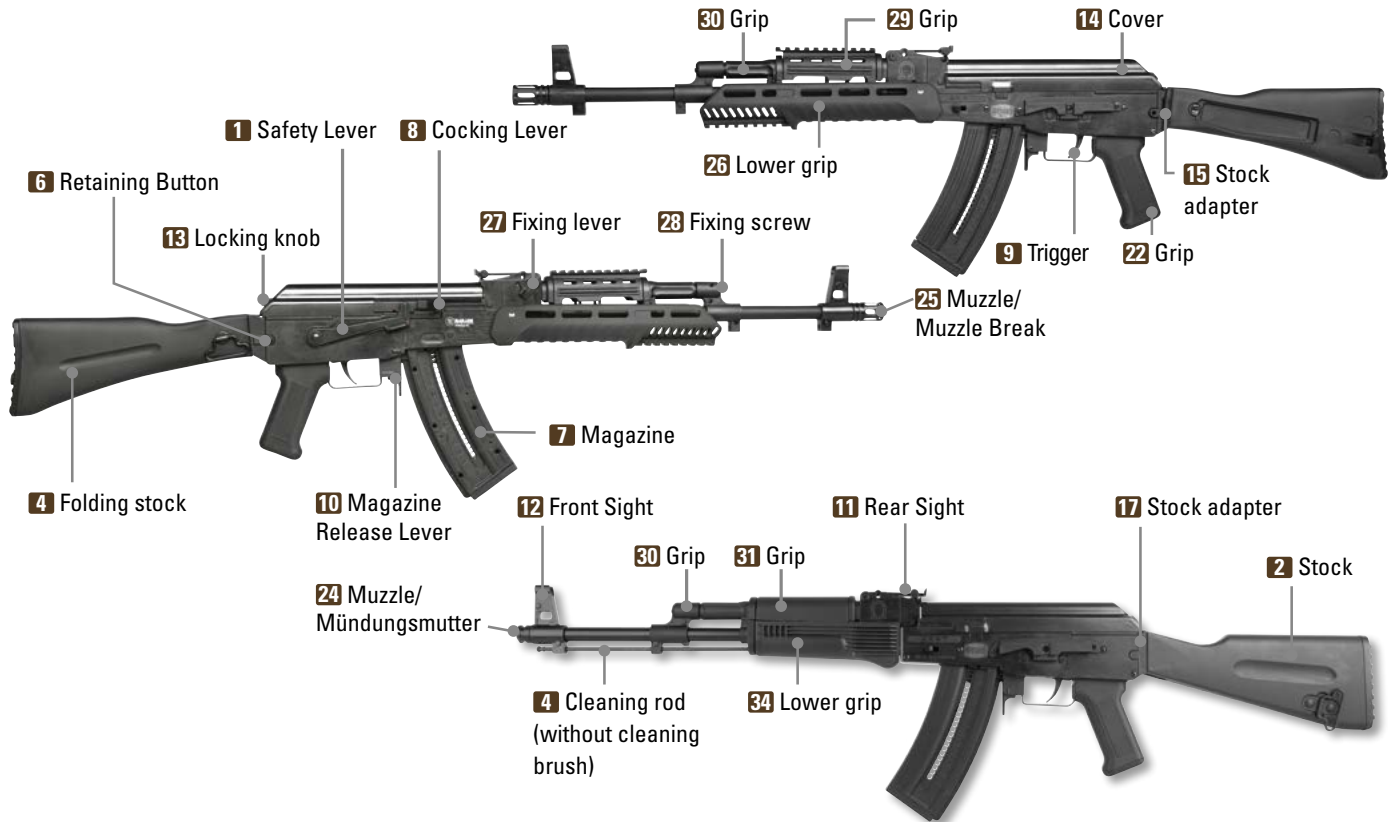
*optional

MAUSER AK47 CAL. .22 LR HV



RIMFIRE

MAIN PARTS



MAUSER AK47 CAL. .22 LR HV



RIMFIRE

SAFETY INSTRUCTIONS

EN

WARNING

FAILURE TO FOLLOW THE INSTRUCTIONS AND RECOMMENDATIONS IN THIS MANUAL MAY RESULT IN SEVERE BODILY INJURY (INCLUDING FACE INJURY, EYE INJURY, EAR INJURY, BLINDNESS, DEAFNESS) AND EVEN DEATH.

DE

FR

ES

WARNING

THIS PRODUCT CAN EXPOSE YOU TO CHEMICALS INCLUDING LEAD, WHICH IS KNOWN TO THE STATE OF CALIFORNIA TO CAUSE CANCER AND BIRTH DEFECTS OR OTHER REPRODUCTIVE HARM. FOR MORE INFORMATION GO TO WWW.P65WARNINGS.CA.GOV.

- Never use the gun under the influence of drugs or alcohol, while ill or suffering other such difficulties. These conditions can impair your powers of judgement and reflexes.
- Before using the gun, make sure you have fully understood all of the functions and are aware of any dangers that may result from not adhering to them.
- Always assume that the gun is loaded and that its safety is disengaged, until you have established the opposite
- Always keep the muzzle of the gun in a safe direction while handling the gun. A safe direction is towards an area where there are no people (including yourself) or animals or any items that are not a recognized target.
- Never point the gun at doors, panes of glass, walls, concrete, stone or flat surfaces (including water). A bullet can penetrate such surfaces or be ricocheted in an unsafe direction.
- Never rely on safety mechanisms alone and always treat your gun as if the safety mechanisms were not functioning. Safety mechanisms are not a substitute for careful, correct and secure handling of the gun.
- Never shoot with a gun which is obstructed by water, sand, dirt or other foreign debris.
- Never lay away a loaded gun and always unload the gun immediately after firing, before you put the gun away, place it in a gun case or holster or hand it to another authorized person.
- Never store the gun loaded, but rather remove the magazine and ensure that no cartridge is left in the chamber of the barrel.
- Never give the gun to a person who has not thoroughly familiarized himself or herself with the safety instructions and handling of the gun by reading the instruction manual.
- Never leave the gun unattended, and protect the gun from unauthorized access.
- Always store the gun and the ammunition separate from one another and ensure that neither is obtained by unauthorized persons or children.
- Never rest or put your finger inside of the trigger guard except when shooting.
- Always make sure you have a proper backstop when shooting and do not aim at the sky.

MAUSER AK47 CAL. .22 LR HV



RIMFIRE

SAFETY INSTRUCTIONS

- Make sure you and everyone around you uses ear protection and safety glasses.
- When shooting in enclosed shooting ranges, always make sure that you have adequate ventilation.
- Never try to cross obstacles, rivers, fences or anything similar with a loaded gun.
- Keep your fingers away from moveable parts such as the exposed part of the bolt inside the ejection port and loading handle as well as the muzzle.
- Only use commercial-grade ammunition that is manufactured in accordance to CIP or SAAMI Standards. Never use non-standard, refurbished or handloaded ammunition.
- Do not shoot any ammunition that came deformed straight out of the packaging or was deformed during a malfunction in your gun.
- Stop shooting and unload the gun if you notice any kind of malfunction (e.g. a jam).
- Squib loads will be noticed by an unusual light or non existing recoil and/or low or no muzzle blast. In those cases end shooting immediately until the gun has been checked and its barrel cleared by a professional gunsmith or armorer. Never ever try to shoot a stuck bullet by using another round!
- In case of a misfire wait at least a minute while pointing the rifle down range or in a safe direction before you unload the gun.

WARNING

EYE PROTECTION AND EAR PROTECTION IS REQUIRED!
WEAR APPROPRIATE SAFETY GLASSES (SHOOTING GLASSES) AND SUITABLE EAR PROTECTION!



WARNING

DISCHARGE THIS FIREARM ONLY WHEN THE STOCK IS EXTENDED AND ENGAGED! THIS FIREARM IS DESIGNED TO BE OPERATED ONLY WITH THE STOCK ENGAGED. THE STOCK MAY BE FOLDED DOWN ONLY FOR CLEANING, STORAGE OR REPAIR AND MUST BE PROPERLY RE-ALIGNED BEFORE USING THE FIREARM. DISCHARGE OF THE FIREARM WITHOUT THE STOCK PROPERLY ENGAGED MAY RESULT IN INJURY OR EVEN DEATH. IN SUCH CASES, THE MANUFACTURER ASSUMES NO LIABILITY WHATSOEVER. PLEASE NOTE THAT ANY MODIFICATIONS TO THE CONDITION OF THE FIREARM AS DELIVERED WILL ALSO RESULT IN THE LOSS OF THE WARRANTY AS WELL AS THE LOSS OF ANY LIABILITY CLAIMS AGAINST THE MANUFACTURER AND THE IMPORTER.

MAUSER AK47 CAL. .22 LR HV



RIMFIRE

STOCK ASSEMBLY

WARNING

DISCHARGE THIS FIREARM ONLY WHEN THE STOCK IS EXTENDED AND ENGAGED! THIS FIREARM IS DESIGNED TO BE OPERATED ONLY WITH THE STOCK ENGAGED.

Mauser AK47 model only



1. Slide the stock **2** onto the gun as shown.



2. Fix the stock using the stock screws **3**.

FOLDING STOCK ASSEMBLY

Mauser AK47 Omega model only



1. Slide the folding stock **4** onto the gun as shown and snap it into place. Fix it with the hinge pin **5**.

RETRACT FOLDING STOCK

Mauser AK47 Omega model only



1. Press the retaining button **6** and fold the shaft **4** to the side

EN

DE

FR

ES

MAUSER AK47 CAL. .22 LR HV



RIMFIRE

SAFETY MECHANISM

WARNING

ALWAYS KEEP THE GUN UNCOCKED AND UNLOADED WITH SAFETY ENGAGED "S" UNTIL YOU ARE READY TO SHOOT.



1. Safety Lever

Note: If you remove the magazine **7**, the trigger is blocked.

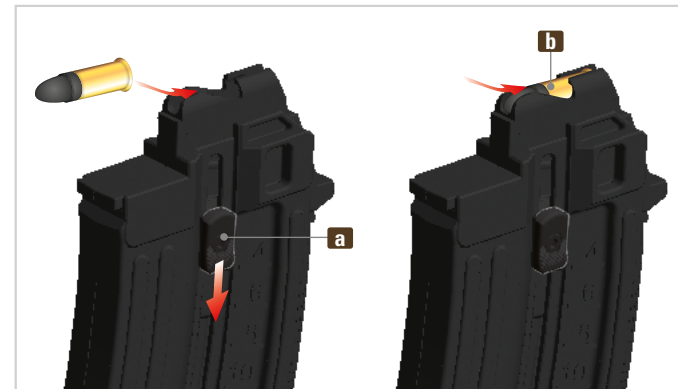
WARNING

NEVER POINT THE GUN AT ANYTHING YOU DO NOT INTEND TO SHOOT.
NEVER POINT A GUN AT PEOPLE OR ANIMALS.

LOADING THE MAGAZINE

WARNING

FOR YOUR GUN, USE ONLY COMMERCIAL-GRADE AMMUNITION (MANUFACTURED TO CIP OR SAAMI STANDARDS) IN ITS ORIGINAL PACKAGING WHICH CORRESPONDS WITH THE CALIBER OF THE GUN. THE CORRECT CALIBER IS PRINTED ON THE GUN. NEVER USE NON-STANDARD, REFURBISHED OR HANDLOADED AMMUNITION.



1. Pull down the feeder taps **a** of the magazine **7** and insert the cartridge **b** into the magazine (push it to the back stop of the magazine as shown).

Note: Load only the quantity of cartridges into the magazine you want to fire (max. 24/15*/10*/2* cartridges).

MAUSER AK47 CAL. .22 LR HV



RIMFIRE

LOADING THE GUN

EN

DE

FR

ES

WARNING

ALWAYS KEEP THE GUN UNCOCKED AND UNLOADED WITH SAFETY ENGAGED "S" UNTIL YOU ARE READY TO SHOOT.

WARNING

- THE SAFETY LEVER SHOULD ALWAYS BE IN THE POSITION "S" (SAFETY ENGAGED). NEVER LOAD OR RELOAD THE GUN IN A VEHICLE, A ROOM OR ANOTHER SMALL AREA (EXCEPT A PROPER SHOOTING RANGE). BEFORE LOADING, ALWAYS WIPE OFF ANY EXCESS GREASE AND OIL AND CHECK TO SEE IF THERE ARE ANY FOREIGN OBJECTS/MATERIAL IN THE BARREL.
- ALWAYS KEEP THE MUZZLE OF THE GUN POINTED IN A **SAFE DIRECTION**.
- DO NOT PUT YOUR FINGER ON THE TRIGGER. KEEP YOUR FINGER OUTSIDE THE TRIGGER GUARD. LOAD THE GUN BY PUSHING IN THE MAGAZINE ONLY DIRECTLY BEFORE FIRING.
- PULL THE COCKING LEVER BACK TO LOAD THE FIRST CARTRIDGE. **NEVER RELY ON THE SAFETY MECHANISMS ALONE.**
SAFETY MECHANISM ARE NO SUBSTITUTE FOR CAREFUL AND CORRECT HANDLING OF THE GUN.
- NEVER LET A LOADED GUN OUT OF YOUR HANDS.



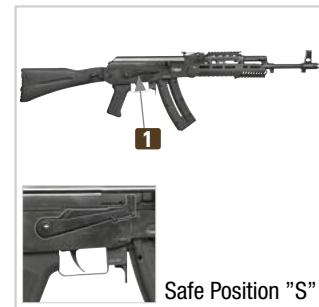
1. Insert the loaded magazine **7** as shown until it is fully engaged.



2. Put the safety lever **1** in the "Fire" position "F"



3. Pull the cocking lever **8** back until it stops and allow it to slide forward. The rifle is loaded, cocked and ready to fire.



4. Put the safety lever **1** in the position "S"
The rifle is loaded and cocked but not ready to fire (safety engaged).

MAUSER AK47 CAL. .22 LR HV



RIMFIRE

FIRING



1. Put the safety lever **1** in the "Fire" position "F". The rifle is loaded, cocked and ready to fire. To begin shooting, aim at a safe target and pull on trigger **9**. **Note:** The breech bolt is held in the open position after the last shot.

RELOAD DURING FIRING

⚠ WARNING

- PUT THE SAFETY LEVER IN THE POSITION "S".
- KEEP THE GUN POINTED IN A SAFE DIRECTION.
- REMOVE THE FINGER FROM THE TRIGGER.



- Press the magazine release lever **10** and remove the magazine **7** from the gun.
- Insert the loaded magazine until it is fully engaged.
- Pull the cocking lever back until it stops and allow it to slide forward.
- The rifle is reloaded and cocked.

⚠ WARNING

- DISCHARGE THIS FIREARM ONLY WHEN THE STOCK IS EXTENDED AND ENGAGED!
- BE CERTAIN THAT YOUR FINGERS, HANDS OR OTHER PARTS OF THE BODY ARE NOT IN FRONT OF, ABOVE OR BESIDE THE BARREL MUZZLE OR THE EJECTION PORT DURING FIRING.
- NEVER ALLOW ANY PERSON OR ANIMAL TO STAND NEXT TO YOU WHERE THEY COULD BE HIT BY EJECTED CARTRIDGE CASES.
- WHEN SHOOTING, ALWAYS WEAR EAR PROTECTION AND PROTECTIVE EYE GLASSES. INFORM OTHER PEOPLE CLOSE TO YOU THAT THEY, TOO, NEED TO WEAR EYE AND EAR PROTECTION.
- INTERRUPT SHOOTING IMMEDIATELY AND UNLOAD THE GUN IF YOU SUSPECT THAT A CARTRIDGE IS NOT INSERTED CORRECTLY, A CASE IS JAMMED, A BULLET MAY HAVE BLOCKED THE BARREL OR A SHOT SOUNDS OR GIVES THE SENSATION THAT IT MAY BE "WEAK" OR UNUSUAL.
- NEVER TRY TO SHOOT OUT A STUCK BULLET BY FIRING ANOTHER ONE "ON TOP".

⚠ CAUTION

WHILE SHOOTING, NEVER HOLD THE GUN BY THE MAGAZINE, THIS MAY CAUSE MALFUNCTIONS. USE THE HANDGUARD TO HOLD THE GUN.

MAUSER AK47 CAL. .22 LR HV



RIMFIRE

UNLOADING THE GUN - MAGAZINE NOT EMPTY

EN

DE

FR

ES

WARNING

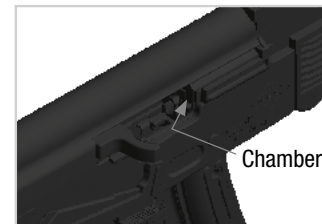
NEVER LET THE GUN OUT OF YOUR HANDS BEFORE IT IS UNLOADED.

WARNING

- WHEN THE GUN IS LOADED, A CARTRIDGE IS IN THE CHAMBER.
- NEVER PLACE YOUR HAND OVER THE EJECTION PORT.
- KEEP THE MUZZLE OF THE GUN IN A SAFE DIRECTION.
- PUT THE SAFETY LEVER IN THE "S" POSITION.



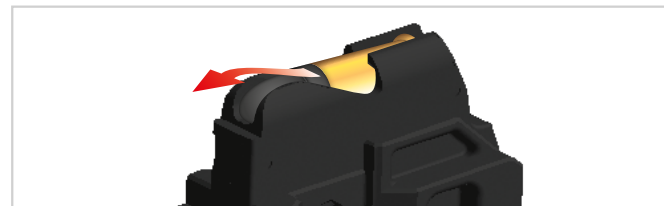
1. Engage the Safety and press the magazine release lever **10** to remove the magazine **7**.



2. Put the safety lever **1** in the "Fire" position "F". Pull the cocking lever **8** back until it stops. Hold it in this position to allow the cartridge to be ejected. Check (visually and manually with appropriate aid) to ensure that the cartridge has been ejected and the chamber is empty. Allow the cocking lever to slide back forward.

WARNING

THE GUN IS NOW UNLOADED, BUT NOT DECOCKED!



3. Empty the magazine. Pick up the ejected cartridge and clean the gun.

MAUSER AK47 CAL. .22 LR HV



RIMFIRE

UNLOADING THE GUN - MAGAZINE EMPTY



1. Engage the safety and press the magazine release lever **10** to remove the magazine **7**. The ejection port must be open after the last round. Check (visually and manually with appropriate aid) to ensure that the cartridge has been ejected and the chamber is empty.

WARNING

THE GUN IS NOW UNLOADED, BUT NOT DECOCKED!

DECOCKING THE GUN

WARNING

ENSURE THAT THERE IS NO CARTRIDGE IN THE BARREL OR IN THE CHAMBER.

Decocking:

1. Remove the empty magazine.
2. Pull the cocking lever back and allow it to slide forward. The slide must move forward at the same time so that the ejection port closes.
3. Insert an **empty** magazine.
4. Turn the safety lever in position "F", point the gun in a safe direction and pull the trigger.

CAUTION

PULL THE TRIGGER ONLY WHEN AN EMPTY MAGAZINE IS INSERTED AND WHEN NO CARTRIDGE HAS BEEN LEFT IN THE CHAMBER.

5. The hammer strikes forward, the rifle is now decocked.
6. Turn the safety lever in position "S" and take out the empty magazine.

WARNING

WHEN YOU PUSH BACK THE COCKING LEVER AFTER THIS PROCEDURE, IT WILL GO BACK TO THE COCKED POSITION, AND THE GUN WILL BE READY TO FIRE AGAIN!

MAUSER AK47 CAL. .22 LR HV



RIMFIRE

SIGHTS

EN

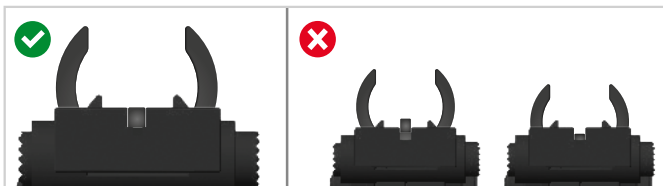
DE

FR

ES

WARNING

NEVER POINT THE GUN AT ANYTHING YOU DO NOT INTEND TO SHOOT.
NEVER POINT A GUN AT PEOPLE OR ANIMALS.

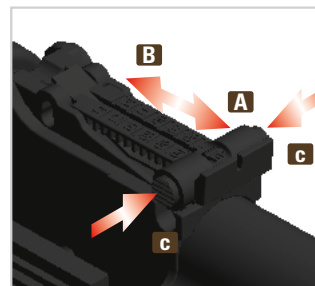


1. Aiming

SIGHT ADJUSTMENT

WARNING

ALWAYS PUT THE SAFETY LEVER IN THE "S" POSITION AND KEEP THE MUZZLE OF THE GUN POINTED IN A SAFE DIRECTION WHEN PERFORMING ADJUSTMENTS ON THE GUN.



2. Elevation adjustment Rear

Sight:

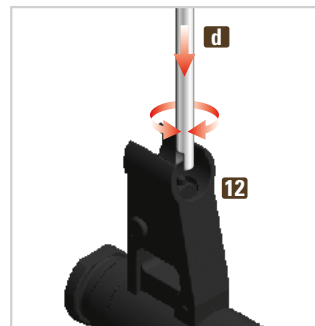
Press the detent buttons **C** and adjust the rear sight using the detent slide.

If the point of impact is too high:

Slide the detent slider towards **A**.

If the point of impact is too low:

Slide the detent slider towards **B**.



5. Elevation adjustment Front

Sight:

If the point of impact is too high:

Screw the front sight **12** counter-clockwise using the multitool **d** to adjust the front sight upward.

If the point of impact is too low:

Screw the front sight **12** clockwise using the multitool **d** to adjust the front sight downward.

MAUSER AK47 CAL. .22 LR HV



RIMFIRE

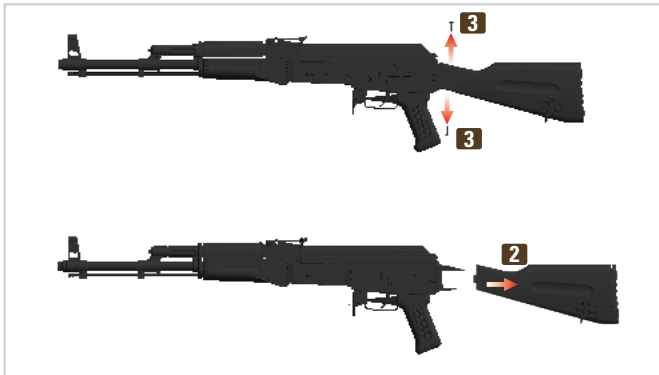
MAINTENANCE - DISASSEMBLY

WARNING

- ENGAGE THE SAFETY "S".
- KEEP THE GUN POINTED IN A SAFE DIRECTION.
- REMOVE THE FINGER FROM THE TRIGGER.
- ENSURE THAT THE CHAMBER IS EMPTY.
- CHECK AND ENSURE THAT THE GUN IS UNLOADED AND DECOCKED.

1. Disassembling the stock

Mauser AK47 model only



a. Remove the stock screws **3** and detach the stock **2** to the rear.

1. Disassembling the stock

Mauser AK47 Omega model only



a. Pull the hinge pin **5** upwards out of the stock adapter **15**.



Modell AK47 Omega

b. Press the retaining button **6** and remove the folding stock **4** to the rear.

MAUSER AK47 CAL. .22 LR HV



RIMFIRE

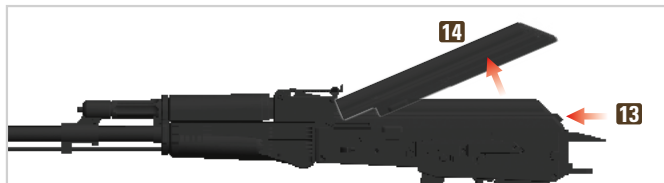
MAINTENANCE - DISASSEMBLY

EN

DE

FR

ES



2. Press the detent button **13** and lift off the cover **14**.



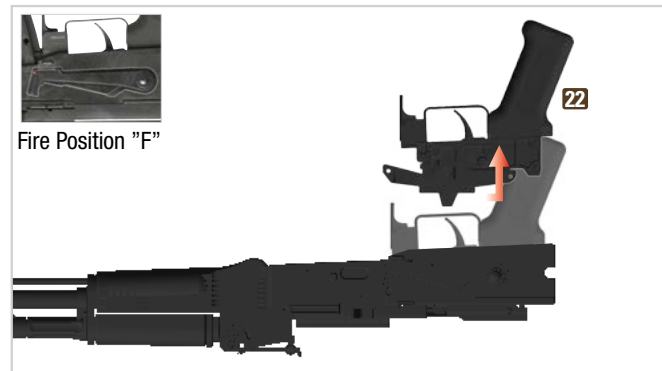
3. Loosen and remove the screw **16** / **18** and the stock adapter **15** / **17**.



4. Remove the spring **19** and the detent button **13**.



5. Remove the screw **20** with the multi-tool. Then pull the adapter **21** upwards out of the gun.



6. Turn the gun upside down and put the safety lever **1** in the "Fire" position "F". Gently pull back the grip section **22** and remove it upwards.



7. Turn the system over again and remove the breech housing **23** as shown from the weapon.

MAUSER AK47 CAL. .22 LR HV



RIMFIRE

MAINTENANCE - CLEANING

CAUTION

- DO NOT DISASSEMBLE YOUR GUN ANY FURTHER. THE CLEANING CAN BE DONE WITHOUT FURTHER DISASSEMBLING. FURTHER DISASSEMBLING OF THE RIFLE SHOULD ONLY TO BE MADE BY QUALIFIED PERSONNEL.
- DO NOT USE A STEEL BRUSH OR ANY OTHER HARD OR SHARP MATERIAL TO CLEAN THE BARREL. THIS COULD DAMAGE THE INTERIOR SURFACE OF THE BARREL. USE ONLY A SUITABLE CLEANING ROD AND BRUSHES OF THE RIGHT CALIBER.
- SOLVENTS MIGHT DAMAGE THE SURFACE OF THE RIFLE. BEFORE USING ANY CLEANER OR SOLVENT, PLEASE REFER TO THE INSTRUCTIONS OF THE MANUFACTURER.

Procedure:

Lubricate a suitable cleaning brush with a thin layer of gun oil and insert it into the barrel via the chamber. Use the brush to carefully remove all powder residues and dirt in the barrel and chamber.

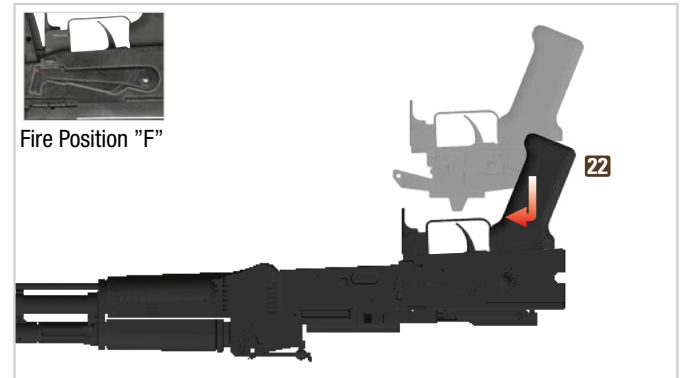
Wipe powder residues and oil from the barrel bore and chamber with cleaning patches.

Oil the chamber lightly.

MAINTENANCE - REASSEMBLING



8. Slide the breech housing **23** as shown into the weapon.



9. Turn the gun upside down and put the safety lever **1** in the "Fire" position "F". Put the grip **22** back into the gun and turn it 180°.

MAUSER AK47 CAL. .22 LR HV



RIMFIRE

MAINTENANCE - REASSEMBLING

EN

DE

FR

ES



10. Push the adapter **21** into the gun from above and fix it with the screw **20**.



11. Push the spring **19** and the detent button **13** back into the gun.



AK47 Omega model



AK47 model

12. Insert the stock adapter **15** / **17** and fix it with the screw **16** / **18**.



13. Replace the cover **14** until the locking button **13** clicks into place.

MAINTENANCE - REASSEMBLING

Mauser AK47 model only:



14. Slide the stock **2** onto the gun as shown.



15. Fix the stock using the stock screws **3**.

Mauser AK47 Omega model only:



16. Slide the folding stock **4** onto the gun as shown and snap it into place. Fix it with the hinge pin **5**.

MAUSER AK47 CAL. .22 LR HV



RIMFIRE

CARE OF THE GUN

⚠ CAUTION

- ALWAYS KEEP YOUR GUN IN IMMACULATE CONDITION AND IN GOOD WORKING ORDER.
- ALWAYS CLEAN YOUR GUN AFTER USE.
- NEVER MODIFY OR REPAIR PARTS OF YOUR GUN BY YOURSELF.
- HAVE YOUR GUN CHECKED ONCE EVERY 12 MONTHS BY A QUALIFIED GUNSMITH OR ARMORER BECAUSE DEFECTS, WEAR, CORROSION, ETC. ARE NOT ALWAYS VISIBLE FROM THE OUTSIDE.
- FOR REPAIR OR SERVICE WORK, HOWEVER, WE RECOMMEND THAT YOU RETURN THE GUN TO YOUR DEALER / IMPORTER WHO ALWAYS HOLDS A FULL RANGE OF SPARE PARTS IN STOCK.

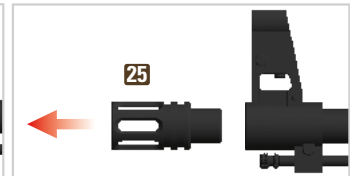
MUZZLE NUT/BRAKE

⚠ WARNING

- ENGAGE THE SAFETY "S".
- KEEP THE GUN POINTED IN A SAFE DIRECTION.
- REMOVE THE FINGER FROM THE TRIGGER.
- ENSURE THAT THE CHAMBER IS EMPTY.
- CHECK AND ENSURE THAT THE GUN IS UNLOADED AND DECOCKED.



Muzzle nut (Modell AK47): Remove the muzzle nut **24** using a suitable open-end wrench SW 17. Now install the optional accessories (e.g. muzzle brake).



Muzzle brake (Modell AK47 Omega): Unscrew the muzzle brake **25** from the gun. Now install the optional accessories (e.g. muzzle nut).

⚠ WARNING

NEVER FIRE THE FIREARM WITHOUT A PROPERLY INSTALLED MUZZLE NUT/MUZZLE BRAKE OR PROPERLY INSTALLED SUITABLE ACCESSORY.

MAUSER AK47 CAL. .22 LR HV



RIMFIRE

DISMOUNTING GRIPS

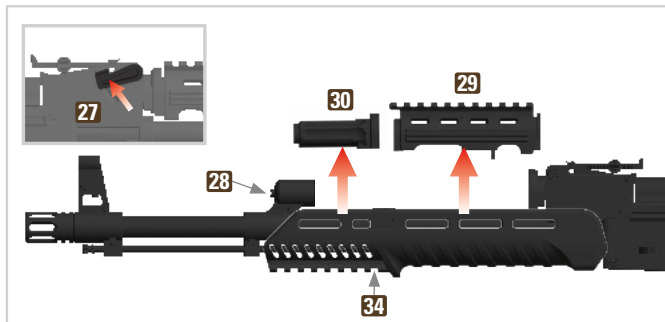
Mauser AK47 Omega model only:

EN

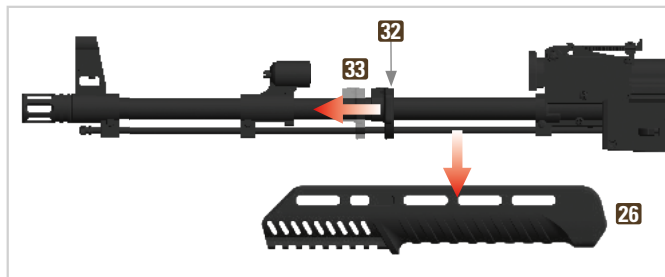
DE

FR

ES



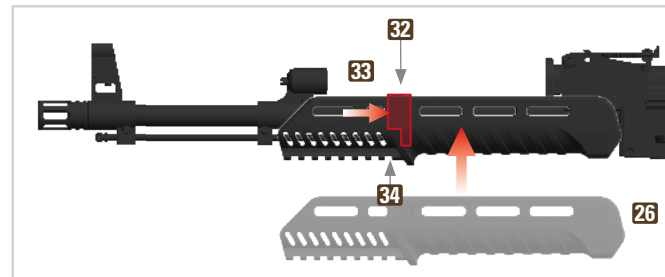
1. Swivel the fixing lever **27** on the right side upwards. Loosen the fixing screw **23** and remove the grips **29** and **30** one after the other. Loosen the fixing screw **34**.



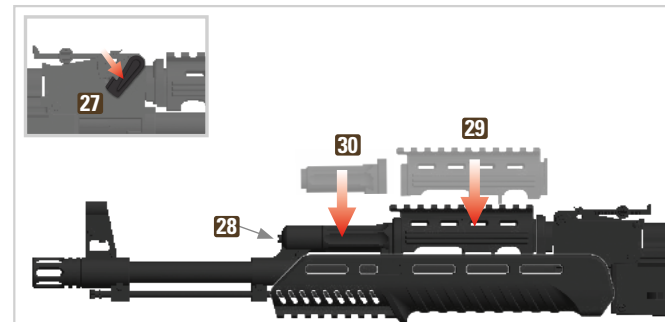
2. Loosen the fixing screw **32**, slide the retaining bracket **33** forward and remove the lower grip **26**.

ATTACHING GRIPS

Mauser AK47 Omega model only:



1. Replace the lower grip **26**, slide the retaining bracket **33** onto the handle and tighten the fixing screw **32** and the fixing screw **34** again.



2. Replace the grips **30** and **29** one after the other and swing the fixing lever **27** down again. Now screw the fixing screw **23** tight again.

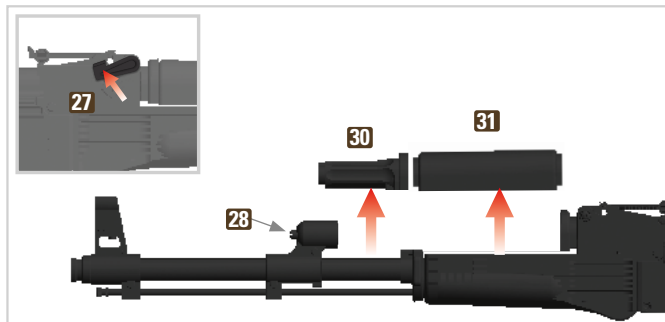
MAUSER AK47 CAL. .22 LR HV



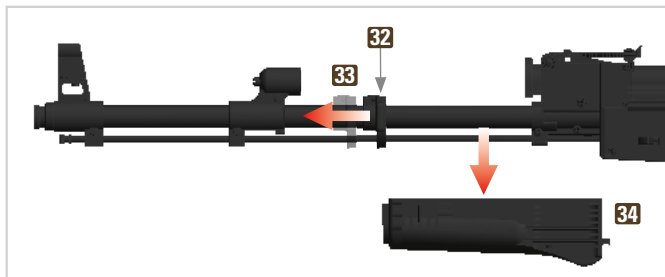
RIMFIRE

DISMOUNTING GRIPS

Mauser AK47 model only:



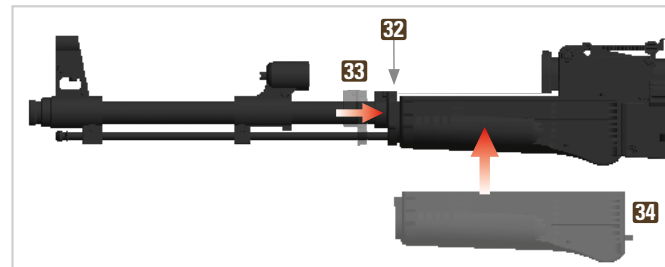
1. Swivel the fixing lever **27** on the right side upwards. Loosen the fixing screw **28** and remove the grips **31** and **30** one after the other.



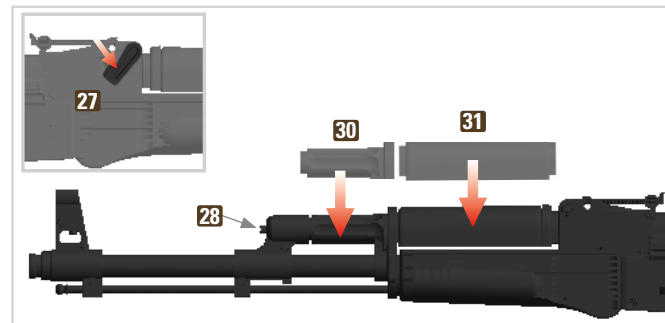
2. Loosen the fixing screw **32**, slide the retaining bracket **33** forward and remove the lower grip **34**.

ATTACHING GRIPS

Mauser AK47 model only:



1. Replace the lower grip **34**, slide the retaining bracket **33** onto the handle and tighten the fixing screw **32** again.



2. Replace the grips **30** and **31** one after the other and swing the fixing lever **27** down again. Now screw the fixing screw **28** tight again.

MAUSER AK47 CAL. .22 LR HV



RIMFIRE

TROUBLE SHOOTING - JAM REMOVAL

EN

DE

FR

ES

CAUTION

GUN MAINTENANCE (CLEANING AND INSPECTION) IN ACCORDANCE WITH THE INSTRUCTIONS PROVIDED CAN PREVENT MALFUNCTIONS. SHOULD NEVERTHELESS A MALFUNCTION OCCUR DURING SHOOTING, PROCEED AS FOLLOWS:

WARNING

- ENGAGE THE SAFETY "S".
- HOLD THE GUN POINTED IN A SAFE DIRECTION AND IN THE FIRING DIRECTION (SAFE DIRECTION) AND KEEP YOUR FINGER OFF THE TRIGGER AS YOU PERFORM THE STEPS DESCRIBED BELOW.



1. Engage the safety and press the magazine release lever **10** to remove the magazine **7**.



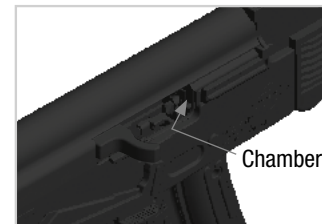
2. Put the safety lever **1** in the "Fire" position "F". Pull the cocking lever **8** back until it stops and hold it in this position.

3. Remove all cartridges, cases or foreign bodies.

5. If a projectile is locked in the bore, strip the rifle and have the blockage removed with a suitable tool by a qualified gunsmith.

6. Clean, lubricate and reassemble the rifle.

7. Have the gun inspected by a gunsmith or armorer.



4. Verify (visually or with a tool) that there is no projectile, cartridge, case or foreign body in the barrel bore or chamber. Allow the cocking lever to slide back forward.

MAUSER AK47 CAL. .22 LR HV



SAFEKEEPING, STORAGE AND TRANSPORT OF THE GUN

STORAGE

WARNING

- ALWAYS STORE YOUR GUN UNLOADED AND IN CLEANED CONDITION.
- STORE YOUR GUN SEPARATELY FROM ITS AMMUNITION AND UNDER LOCK AND KEY.
- THE GUN AND AMMUNITION MUST NOT BE ACCESSIBLE TO CHILDREN AND OTHER INEXPERIENCED OR UNAUTHORIZED PERSONS.
- ENSURE THAT ALL APPLICABLE LAWS GOVERNING THE STORAGE OF FIREARMS ARE COMPLIED WITH.

TRANSPORT

WARNING

- FOR YOUR OWN SAFETY AND THE SAFETY OF OTHERS, ALWAYS TRANSPORT THE GUN **UNLOADED, DECOCKED AND CLOSED WITH THE CHAMBER FLAG INDICATOR INSIDE THE CHAMBER.**
- NEVER CARRY A GUN THAT HAS ALREADY BEEN COCKED OR HAS A BULLET IN THE CHAMBER.
- TRANSPORT THE GUN SEPERATE FROM THE AMMUNITION.
- ENSURE THAT ALL APPLICABLE LAWS GOVERNING THE TRANSPORT OF FIREARMS ARE COMPLIED WITH.

WARRANTY REPAIR

In case of warranty, please contact your dealer. Describe the problem and attach the appropriate purchase receipt.

DISPOSAL

Strictly observe any current national legislation governing the disposal of firearms.

ASSESORIES

Find it under www.germansportguns.de

Essential information when ordering accessories:

- Gun Model (caliber, designation)
- Gun serial number
- Item number and index

The information provided in this Manual is subject to change without notice. Please check our website www.germansportguns.de for the latest downloadable version of the Manual, and learn further interesting facts about your model.

MAUSER AK47 CAL. .22 LR HV



RIMFIRE

EINLEITUNG

EN

DE

FR

ES

Beschreibung	Seite
Sicherheitshinweise	22-23
Benennungen/Technische Daten	24
Montage Schaft/Klappschaft	25
Sicherung	26
Laden	26-27
Schiessen	28
Nachladen während des Schießens	28
Entladen (Magazin nicht leer)	29
Entladen (Magazin leer)	30
Entspannen	30
Visierung/Visiereinstellung	31
Wartung - Demontage für die Reinigung	32-33
Wartung - Reinigung	34
Wartung - Montage	34-35
Pflege	36
Mündungsmutter/Mündungsbremse	36
Montage/Demontage Handgriffe	37-38
Fehlerbehebung	39
Lagerung, sichere Aufbewahrung und Transport	40
Gewährleistung	40
Entsorgung	40

TECHNISCHE DATEN

Kaliber .22 Long Rifle HV

Magazinkapazität 24/15*/10*/2*

*optional

WARNUNG

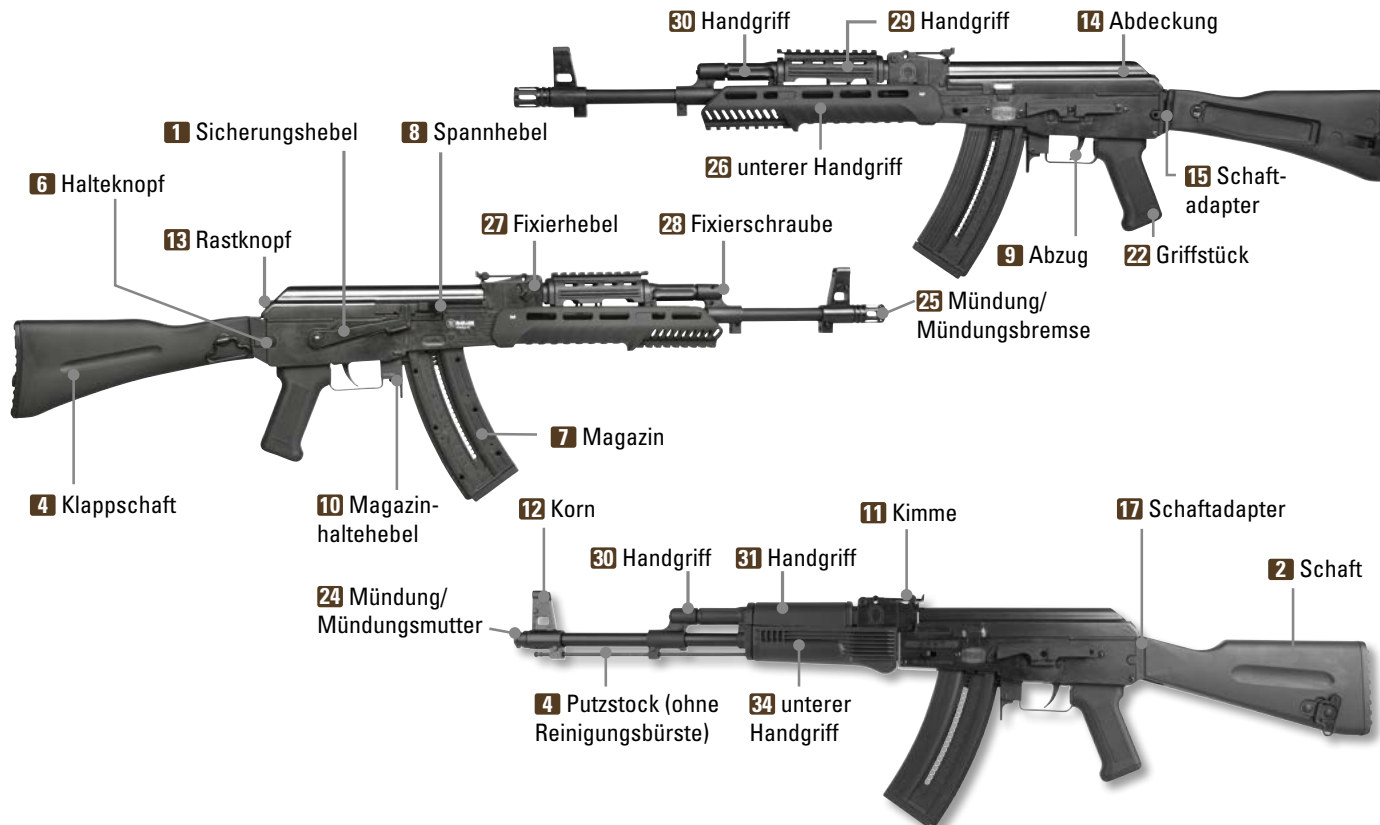
DIE HAFTUNG / GEWÄHRLEISTUNG DES HERSTELLERS ERLISCHT, SOBALD UNSACHGE-MÄSSE VERÄNDERUNGEN AM PRODUKT VORGENOMMEN ODER TÄTIGKEITEN / UMBAUTEN VON EINER NICHT SACHKUNDIGEN / NICHT DAZU AUTORISIERTEN PERSON DURCHFÜHRT WERDEN. ES GELTEN GRUNDSÄTZLICH DIE NATIONALEN, REGIONALEN UND LOKALEN GESETZE UND SONSTIGE VORSCHRIFTEN.

MAUSER AK47 CAL. .22 LR HV



RIMFIRE

BENENNUNGEN



MAUSER AK47 CAL. .22 LR HV



RIMFIRE

⚠ SICHERHEITSHINWEISE

EN

⚠ **WARNUNG**

DIE NICHTEINHALTUNG DER ANWEISUNGEN UND EMPFEHLUNGEN DIESES HANDBUCHS KANN ZU SCHWERER KÖRPERVERLETZUNG (U.A. GESICHTS-, AUGEN-, OHRVERLETZUNGEN, BLINDHEIT, GEHÖRLOSIGKEIT) SOWIE ZUM TOD FÜHREN.

DE

FR

ES

⚠ **WARNUNG**

BEIM VERSCHIESSEN VON BLEIHALTIGER MUNITION MUSS AUF DIE WARNHINWEISE DER MUNITIONSHERSTELLER UND SCHIESSSTAND-BETREIBER GEACHTET WERDEN, DA BLEI IM VERDACHT STEHT KREBSERKRANKUNGEN HERVORZURUFEN.

- Verwenden Sie die Waffe niemals unter Einfluss von Drogen oder Alkohol, während Sie krank sind oder unter anderen Beeinträchtigungen leiden. Diese Umstände können Ihre Urteilskraft und Reflexe beeinträchtigen.
- Bevor Sie die Waffe benutzen, vergewissern Sie sich, dass Sie alle Funktionen vollständig verstanden haben und sich der Gefahren bewusst sind, die daraus resultieren, wenn Sie diese nicht beherrschen.
- Nehmen Sie immer an, dass Waffen geladen sind und dass die Sicherung deaktiviert ist, bis Sie sich vom Gegenteil überzeugt haben.
- Halten Sie die Mündung der Waffe während der Handhabung immer in eine sichere Richtung. Eine sichere Richtung ist in Richtung eines Bereichs, in dem sich keine Personen (einschließlich Sie selbst) oder Tiere oder keine Objekte befinden, die nicht Ziel sind.
- Richten Sie die Waffe niemals auf Türen, Glasscheiben, Wände, Beton, Stein oder flache Oberflächen (einschließlich Wasser). Ein Geschoss kann solche Flächen durchdringen oder in eine unsichere Richtung abprallen.
- Verlassen Sie sich niemals auf Sicherheitsmechanismen und behandeln Sie Ihre Waffe immer so, als würden die Sicherheitsmechanismen nicht funktionieren. Sicherheitsmechanismen ersetzen keinen sorgfältigen, korrekten und sicheren Umgang mit der Waffe.
- Schießen Sie niemals mit einer Waffe, die durch Wasser, Sand, Schmutz oder andere Fremdkörper behindert wird.
- Legen Sie niemals eine geladene Waffe weg. Entladen Sie die Waffe immer sofort nach dem Abfeuern, bevor Sie die Waffe einsetzen, in ein Waffengehäuse oder Holster stecken oder sie einer anderen autorisierten Person aushändigen.
- Lagern Sie die Waffe niemals im geladenen Zustand, sondern entfernen Sie das Magazin und stellen Sie sicher, dass keine Patrone in der Kammer des Laufes verbleibt.
- Geben Sie die Waffe niemals einer Person, die sich nicht gründlich mit den Sicherheitsanweisungen und der Handhabung der Waffe, durch Lesen der Bedienungsanleitung, vertraut gemacht hat.
- Lassen Sie die Waffe niemals unbeaufsichtigt und schützen Sie sie vor unbefugtem Zugriff.
- Bewahren Sie die Waffe und die Munition getrennt voneinander auf und halten Sie beides von Unbefugten und Kindern fern.
- Legen Sie niemals den Finger an den Abzug, außer beim Schießen.
- Stellen Sie immer sicher, dass Sie beim Schießen einen geeigneten Kugelfang haben und nicht in den Himmel schießen.

MAUSER AK47 CAL. .22 LR HV



RIMFIRE

SICHERHEITSHINWEISE

- Stellen Sie sicher, dass Sie und alle Personen in Ihrer Nähe Gehörschutz und Schutzbrillen tragen.
- Achten Sie beim Schießen in geschlossenen Schießständen immer auf ausreichende Belüftung.
- Versuchen Sie niemals Hindernisse, Flüsse, Zäune oder Ähnliches mit einer geladenen Waffe zu überqueren.
- Halten Sie Ihre Finger von beweglichen Teilen wie dem freiliegenden Teil des Verschlusses in der Auswurföffnung und dem Ladegriff sowie von der Mündung fern.
- Verwenden Sie für Ihre Waffe nur handelsübliche Munition, die nach CIP oder SAAMI Standards hergestellt wurde. Verwenden Sie niemals nicht-standardisierte, wiederaufbereitete oder handgeladene Munition.
- Verschießen Sie keine Munition, die in irgendeiner Form verformt wurde oder bei einer Fehlfunktion der Waffe verformt wurde.
- Stoppen Sie das Schießen und entladen Sie die Waffe, wenn Sie irgendeine Art von Funktionsstörung wie z.B. einen Ausziehfehler, Zuführfehler, Auswurffehler oder Hülsenklemmer bemerken.
- Sollte durch eine niedrig oder gar nicht geladene Patrone ein Geschoss den Lauf nicht verlassen, werden Sie dies durch einen ungewöhnlichen leichten oder nicht vorhandenen Rückstoß und / oder niedrigen oder keinen Mündungsblitz bemerken. In diesen Fällen beenden Sie das Schießen sofort, bis die Waffe überprüft und der Lauf von einem professionellen Büchsenmacher vom steckengebliebenen Projektil befreit wurde. Versuchen Sie nie, eine festsitzende Kugel mit einem weiteren Schuss zu entfernen!
- Im Falle eines Zündversagers warten Sie mindestens eine Minute, während Sie die Waffe weiterhin im Anschlag auf Ihr Ziel oder in eine sichere Richtung richten, bevor Sie die Waffe entladen.

WARNUNG

VERWENDEN SIE DIESE SCHUSSWAFFE NUR DANN, WENN DER SCHAFT AUSGEKLAFFT UND EINGERASTET IST! DIESE SCHUSSWAFFE IST SO KONZIPIERT, DASS SIE NUR MIT EINGERASTETEM SCHAFT BETÄTIGT WERDEN DARF. DER SCHAFT DARF NUR ZUR REINIGUNG, LAGERUNG ODER REPARATUR UMGEKLAFFT WERDEN UND IST VOR DEM GEBRAUCH DER WAFFE WIEDER ORDNUNGSGEMÄSS AUSZURICHTEN. EINE BETÄTIGUNG DER WAFFE OHNE ORDNUNGSGEMÄSS EINGERASTETEM SCHAFT KANN ZU VERLETZUNGEN ODER GAR ZUM TODE FÜHREN. IN DERLEI FÄLLEN ÜBERNIMMT DER HERSTELLER KEINERLEI HAFTUNG. BITTE BEACHTEN SIE, DASS AUCH ÄNDERUNGEN AM AUSLIEFERUNGSZUSTAND DER WAFFE DEN VERLUST DER GEWÄHRLEISTUNG SOWIE DEN VERLUST JEDLICHER HAFTUNGSANSPRÜCHE GEGENÜBER DEM HERSTELLER UND DEM IMPORTEUR NACH SICH ZIEHEN.

WARNUNG

EIN AUGENSCHUTZ UND EIN GEHÖRSCHUTZ IST ERFORDERLICH! TRAGEN SIE EINE GEEIGNETE SICHERHEITSBRILLE (SCHIESSBRILLE) UND EINEN GEEIGNETEN GEHÖRSCHUTZ!



MAUSER AK47 CAL. .22 LR HV



RIMFIRE

MONTAGE SCHAFT

⚠️ WARNUNG

VERWENDEN SIE DIESE SCHUSSWAFFE NUR DANN, WENN DER SCHAFT MONTIERT, AUSGEKLAFFT UND EINGERASTET IST! DIESE SCHUSSWAFFE IST SO KONZIPIERT, DASS SIE NUR MIT MONTIERTEM UND EINGERASTETEM SCHAFT BETÄTIGT WERDEN DARF.

Nur Modell Mauser AK47



1. Schieben Sie den Schaft **2** wie abgebildet auf die Waffe.



2. Fixieren Sie den Schaft mithilfe der Schaftschrauben **3**.

MONTAGE KLAPPSCHAFT

Nur Modell Mauser AK47 Omega



1. Schieben Sie den Klappschaft **4** wie abgebildet auf die Waffe und lassen ihn einrasten. Fixieren Sie ihn mit dem Gelenkstift **5**.

SCHAFT AUSKLAFFEN

Nur Modell Mauser AK47 Omega



1. Drücken Sie auf den Halteknopf **6** und klappen Sie den Schaft **4** zur Seite.

EN

DE

FR

ES

MAUSER AK47 CAL. .22 LR HV



RIMFIRE

SICHERUNG

⚠️ WARNUNG

FÜHREN SIE DIE WAFFE NIEMALS MIT SICH, WENN SIE GESpanNT UND/ODER GELADEN IST. AM BESTEN IST ES, DIE WAFFE NUR DIREKT VOR DEM SCHIESSEN ZU SPANNEN.



1. Sicherung

Hinweis: Mit Entfernen des Magazins 7 ist der Abzug blockiert und damit gesichert.

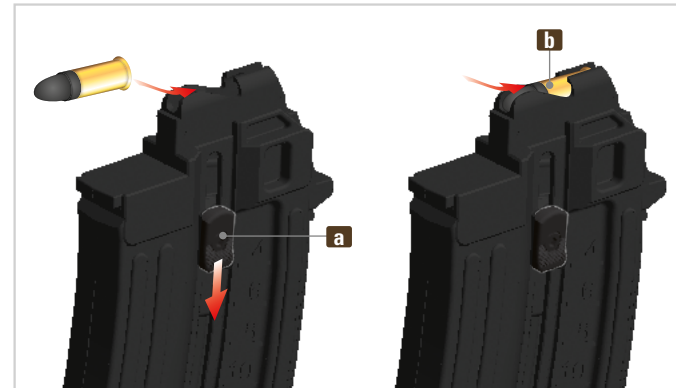
⚠️ WARNUNG

ZIELEN SIE MIT DER WAFFE NIEMALS AUF GEGENSTÄNDE, DIE SIE NICHT TREFFEN WOLLEN. ZIELEN SIE MIT DER WAFFE NIEMALS AUF MENSCHEN ODER TIERE.

MAGAZIN LADEN

⚠️ WARNUNG

VERWENDEN SIE FÜR DIE WAFFE NUR HANDELSÜBLICHE, DEM KALIBER DER WAFFE ENTSPRECHENDE MUNITION AUS ORIGINALVERPACKUNGEN. DAS RICHTIGE KALIBER IST AUF DER WAFFE EINGEPRÄGT. VERWENDEN SIE FÜR IHRE WAFFE NUR HANDELSÜBLICHE MUNITION, DIE NACH CIP ODER SAAMI STANDARDS HERGESTELLT WURDE. VERWENDEN SIE SIE NIEMALS NICHT-STANDARDISIERTE, WIEDERAUFBEREITETE ODER HANDGELADENE MUNITION.



1. Zubringerknopf a des Magazins 7 nach unten ziehen und die Patrone b wie abgebildet bis zum hinteren Anschlag einschieben.

Hinweis: Nur so viele Patronen ins Magazin laden, wie tatsächlich verschossen werden sollen (max. 24/15*/10*/2* Patronen).

MAUSER AK47 CAL. .22 LR HV



RIMFIRE

LADEN DER WAFFE

EN

DE

FR

ES

WARNUNG

LASSEN SIE DIE WAFFE IMMER GESICHERT, ENTSPANNT UND UNGELADEN, BIS SIE BEREIT SIND ZUM SCHIESSEN.

WARNUNG

- DER SICHERUNGSEBEL MUSS SICH IMMER IN STELLUNG „S“ BEFINDEN. LADEN ODER ENTLADEN SIE DIE WAFFE NIEMALS IN EINEM FAHRZEUG ODER AUF SONSTIGEM ENGEN RAUM (AUSGENOMMEN IN EINEM ORDNUNGSGEMÄSSEN SCHIESSTAND). WISCHEN SIE ÜBERSCHÜSSIGES FETT UND ÖL VOR DEM LADEN STETS AB UND ÜBERPRÜFEN SIE VISUELL, DASS SICH KEINE FREMDKÖRPER IM LAUF BEFINDEN.
- HALTEN SIE DIE MÜNDUNG DER WAFFE IMMER IN EINE **SICHERE RICHTUNG**.
- LEGEN SIE DEN FINGER NICHT AUF DEN ABZUG, SONDERN AUSSERHALB DES ABZUGSBÜGELS. LADEN SIE DIE WAFFE DURCH EINSCHIEBEN DES MAGAZINS ERST UNMITTELBAR VOR DEM SCHIESSEN.
- ZIEHEN SIE DEN SPANNHEBEL NACH HINTEN, UM DIE ERSTE PATRONE ZU LADEN. **VERLASSEN SIE SICH NIEMALS AUSSCHLIESSLICH AUF DIE SICHERHEITSMCHANISMEN. SICHERHEITSMCHANISMEN SIND KEIN ERSATZ FÜR EINEN UMSICHTIGEN UND SACHGERECHTEN UMGANG**
- GEBEN SIE EINE GELADENE WAFFE NIEMALS AUS DER HAND.



1. Setzen Sie das geladene Magazin **7** ein und vergewissern Sie sich, dass es vollständig verrastet ist.



2. Bringen Sie den Sicherungshebel **1** in die Position „F“.



3. Ziehen Sie nun den Spannhebel **8** bis zum Anschlag nach hinten und lassen ihn dann wieder nach vorne gleiten. Die Waffe ist nun geladen und feuerbereit.



4. Bringen Sie den Sicherungshebel **1** in die Position „S“. Die Waffe ist nun geladen und gespannt, aber gesichert.

MAUSER AK47 CAL. .22 LR HV



RIMFIRE

SCHIESSEN



1. Bringen Sie den Sicherungshebel **1** in die Position „F“. Die Waffe ist nun geladen, entsichert und schussbereit. Zielen Sie auf ein sicheres Ziel und betätigen den Abzug **9**. **Hinweis:** Der Verschluss wird nach dem letzten Schuss in offener Stellung gehalten.

NACHLADEN - WÄHREND DES SCHIESSENS

! WARNUNG

- LASSEN SIE DIE WAFFE STETS AUF EIN SICHERES ZIEL GERICHTET.
- NEHMEN SIE DEN FINGER VOM ABZUG.
- BRINGEN SIE DEN SICHERUNGSHEBEL IN DIE POSITION „S“.



- Drücken Sie den Magazinhaltehebel **10** und entfernen sie das leere Magazin **7**.
- Setzen Sie das neue, geladene Magazin ein und vergewissern Sie sich, dass es vollständig verrastet ist.
- Bringen Sie den Sicherungshebel **1** in die Position „F“.

- Ziehen Sie nun den Spannhebel bis zum Anschlag nach hinten und lassen ihn dann wieder nach vorne gleiten
- Das Gewehr ist nun nachgeladen und gespannt.

! WARNUNG

- BENUTZEN SIE DIE WAFFE NUR DANN, WENN DER SCHAFT AUSGEKAPPT UND EINGERASTET IST.
- ACHTEN SIE BEIM SCHIESSEN DARAUF, DASS SICH IHRE FINGER, HÄNDE ODER ANDERE KÖRPERTEILE NICHT VOR, ÜBER ODER NEBEN DER LAUFMÜNDUNG ODER DEM HÜLSenausWURF BEFINDEN.
- LASSEN SIE PERSONEN ODER ANDERE LEBEWESSEN NIE DORT STEHEN, WO SIE VON AUSGEWORFENEN PATRONENHÜLSEN GETROFFEN WERDEN KÖNNTEN.
- TRAGEN SIE BEIM SCHIESSEN IMMER EINEN GEHÖRSCHUTZ UND EINE SCHUTZBRILLE. MACHEN SIE PERSONEN, DIE SICH IN IHRER NÄHE AUFHALTEN, DARAUF AUFMERKSAM, DASS AUCH SIE GEHÖRSCHUTZ UND SCHUTZBRILLE TRAGEN MÜSSEN.
- UNTERBRECHEN SIE DAS SCHIESSEN SOFORT UND ENTLADEN SIE DIE WAFFE, WENN SIE VERMUTEN, DASS EINE PATRONE NICHT RICHTIG ZUGEFÜHRT WURDE, EINE PATRONENHÜLSE VERKLEMMT IST, EIN GESCHOSS DEN LAUF VERSTOPFT HABEN KÖNNTE ODER EIN SCHUSS SICH SCHWACH ODER ABNORMAL ANHÖRT ODER ANFÜHLT.
- SOLLTE SICH IM LAUF EIN BLOCKIERTES GESCHOSS BEFINDEN UND DIESEN VERSTOPFEN, DANN VERSUCHEN SIE NIEMALS, DIESES MITTELS EINER ANDEREN PATRONE HERAUSZUSCHIESSEN.

! ACHTUNG

LEGEN SIE WÄHREND DER SCHUSSABGABE DIE FREIE HAND NICHT AN DAS MAGAZIN; DAS KÖNNTE FUNKTIONSTÖRUNGEN VERURSACHEN. HALTEN SIE DIE WAFFE AM HANDSCHUTZ.

MAUSER AK47 CAL. .22 LR HV



RIMFIRE

ENTLADEN - MAGAZIN NICHT LEER

EN

DE

FR

ES

WARNUNG

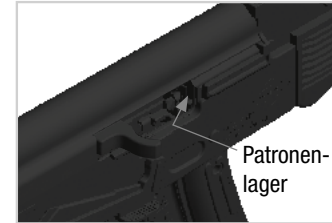
GEBEN SIE DIE WAFFE NUR DANN AUS DER HAND, WENN SIE ENTLADEN IST.

WARNUNG

- WENN DIE WAFFE GELADEN IST, BEFINDET SICH EINE PATRONE IM PATRONENLAGER.
- LEGEN SIE NIEMALS IHRE HAND ÜBER DAS PATRONENAUSWURFFENSTER.
- HALTEN SIE DIE MÜNDUNG DER WAFFE IN EINE SICHERE RICHTUNG
- BRINGEN SIE DEN SICHERUNGHEBEL IN DIE POSITION „S“



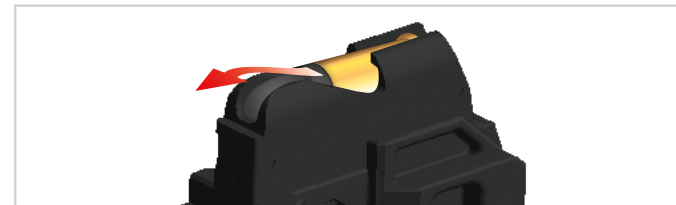
1. Sichern Sie die Waffe und drücken Sie den Magazinhaltehebel **10**, um das Magazin **7** herauszunehmen.



2. Bringen Sie den Sicherungshebel **1** in die Position „F“. Ziehen Sie den Spannhebel **8** bis zum Anschlag zurück. Dabei wird die Patrone ausgeworfen. Überprüfen Sie (sowohl visuell als auch manuell mit entsprechenden Hilfsmitteln), dass die Patrone tatsächlich ausgeworfen wurde und das Patronenlager leer ist. Lassen Sie den Spannhebel wieder nach vorne gleiten.

WARNUNG

DIE WAFFE IST NUN ENTLADEN, ABER NICHT ENTSPANNT



3. Leeren Sie das Magazin. Heben Sie die ausgeworfenen Patronen auf und reinigen Sie die Waffe

MAUSER AK47 CAL. .22 LR HV



RIMFIRE

ENTLADEN - MAGAZIN LEER



1. Sichern Sie die Waffe und drücken Sie den Magazinhaltehebel **10**, um das Magazin **7** herauszunehmen. Der Hülsenauswurf muss nach der letzten Patrone offen sein. Überprüfen Sie (sowohl visuell als auch manuell mit entsprechenden Hilfsmitteln), dass die Patrone tatsächlich ausgeworfen wurde und das Patronenlager leer ist.

WARNUNG

DIE WAFFE IST NUN ENTLADEN, ABER NICHT ENTSPANNT

ENTSPANNEN

WARNUNG

VERGEWISSERN SIE SICH, DASS SICH KEINE PATRONE MEHR IM LAUF BZW. IM PATRONENLAGER BEFINDET.

Entspannen:

1. Entnehmen Sie das leere Magazin.
2. Ziehen Sie nun den Spannhebel zurück und lassen ihn dann wieder nach vorne gleiten. Der Verschluss muss dabei auch wieder nach vorne schnellen, sodass sich der Hülsenauswurf schließt.
3. Setzen Sie ein **leeres** Magazin ein.
4. Halten Sie die Waffe in eine sichere Richtung und betätigen Sie den Abzug.

ACHTUNG

BETÄTIGEN SIE DEN ABZUG NUR DANN, WENN EIN LEERES MAGAZIN EINGELEGT IST UND SICH KEINE PATRONE MEHR IM PATRONENLAGER BEFINDET.

5. Der Schlaghebel schnellt nach vorne, die Waffe ist nun entspannt.
6. Bewegen Sie den Sicherungshebel wieder in die Position „S“ und entnehmen das leere Magazin.

WARNUNG

WENN SIE DEN SPANNHEBEL NACH DIESEM VORGANG ZURÜCKZIEHEN, WIRD DIESER WIEDER GESPANNT UND DIE WAFFE IST DAMIT WIEDER SCHUSSBEREIT!

MAUSER AK47 CAL. .22 LR HV

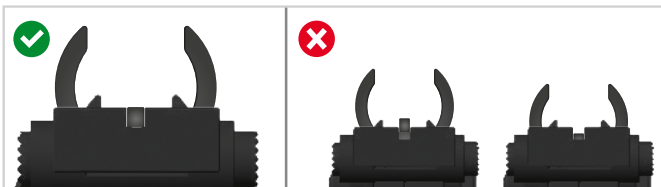


RIMFIRE

VISIERUNG

! WARNUNG

ZIELEN SIE MIT DER WAFFE NIEMALS AUF GEGENSTÄNDE, DIE SIE NICHT TREFFEN WOLLEN. ZIELEN SIE MIT DER WAFFE NIEMALS AUF MENSCHEN ODER TIERE.

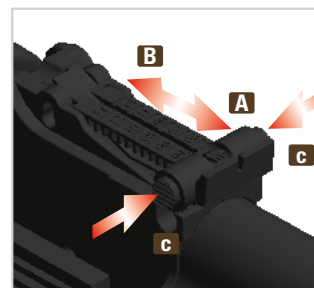


1. Zielen

VISIEREINSTELLUNG

! WARNUNG

STELLEN SIE DEN SICHERUNGSEHEBEL IMMER IN DIE POSITION „S“ UND HALTEN SIE DIE MÜNDUNG DER WAFFE IN EINE SICHERE RICHTUNG BEI JEDER JUSTIERUNG.

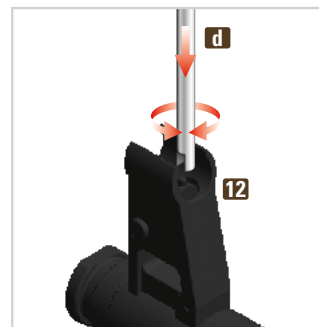


2. Höhenverstellung Kimme:

Drücken Sie auf die Rastknöpfe **C** und justieren Sie die Kimme mit Hilfe des Rastschieber.

Bei Hochschuss: Rastschieber nach **A** schieben.

Bei Tiefschuss: Rastschieber nach **B** schieben.



5. Höhenverstellung Korn:

Bei Hochschuss: Korn **12** mit Hilfe des Multitools **d** gegen den Uhrzeigersinn schrauben, um das Korn nach oben zu verstellen.

Bei Tiefschuss: Korn **12** mit Hilfe des Multitools **d** im Uhrzeigersinn schrauben, um das Korn nach unten zu verstellen.

EN

DE

FR

ES

MAUSER AK47 CAL. .22 LR HV



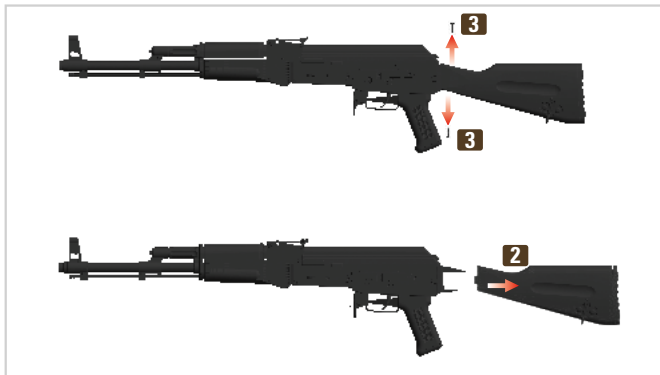
RIMFIRE

WARTUNG - DEMONTAGE FÜR DIE REINIGUNG

WARNUNG

- STELLEN SIE DEN SICHERUNGSEBEL AUF DIE GESICHERTE POSITION "S".
- HALTEN SIE DIE WAFFE IN EINE SICHERE RICHTUNG.
- NEHMEN SIE DEN FINGER VOM ABZUG.
- VERGEWISSERN SIE SICH, DASS DAS PATRONENLAGER LEER IST.
- PRÜFEN SIE, OB DIE WAFFE ENTLADEN UND ENTSPANNT IST.

1. Demontage des Schaftes nur Modell AK47



- a. Entfernen Sie die Schaftschrauben **3** und nehmen Sie den Schaft **2** nach hinten ab.

1. Demontage des Schaftes nur Modell AK47 Omega



- a. Ziehen Sie den Gelenkstift **5** nach oben aus dem Schaft-Adapter **15**.



- b. Drücken Sie auf den Halteknopf **6** und nehmen Sie den Klappschaft **4** nach hinten ab.

MAUSER AK47 CAL. .22 LR HV



RIMFIRE

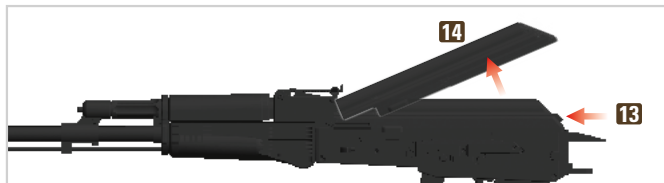
WARTUNG - DEMONTAGE FÜR DIE REINIGUNG

EN

DE

FR

ES



2. Drücken Sie auf den Rastknopf **13** und heben die Abdeckung **14** ab.



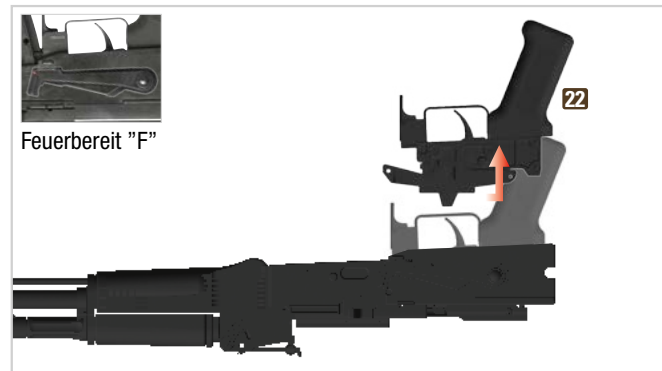
3. Lösen und entfernen Sie die Schraube **16** / **18** und den Schaft-Adapter **15** / **17**.



4. Entfernen Sie die Feder **19** und den Rastknopf **13**.



5. Entfernen Sie die Schraube **20** mit dem Multi-Tool. Ziehen Sie anschließend den Adapter **21** nach oben aus der Waffe.



6. Drehen Sie die Waffe um 180° und stellen Sie den Sicherungshebel **1** auf F (feuerbereit). Ziehen Sie das Griffstück **22** leicht zurück und nehmen es nach oben ab.



7. Drehen Sie das System wieder um und ziehen Sie nun das Verchlussgehäuse **23** nach hinten raus.

MAUSER AK47 CAL. .22 LR HV



RIMFIRE

WARTUNG - REINIGUNG

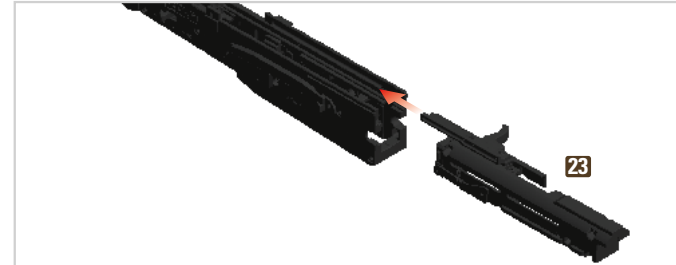
ACHTUNG

- BITTE ZERLEGEN SIE DIE WAFFE AUF KEINEN FALL WEITER. DIE REINIGUNG KANN OHNE WEITERE ZERLEGUNG DURCHFÜHRT WERDEN. EINE WEITERE ZERLEGUNG DES GEWEHRS SOLLTE NUR VON QUALIFIZIERTEM PERSONAL DURCHFÜHRT WERDEN.
- BENUTZEN SIE KEINE STAHLBÜRSTE ODER ANDERE HARTE ODER SCHARFE MITTEL, UM DEN LAUF ODER ANDERE METALLTEILE ZU REINIGEN; DIESE KÖNNTEN DIE INNENFLÄCHE DES LAUFES BESCHÄDIGEN. BENUTZEN SIE NUR GEEIGNETE REINIGUNGSSTÄBE UND BÜRSTEN DES RICHTIGEN KALIBERS.
- LÖSUNGSMITTEL KÖNNTEN DIE OBERFLÄCHE DES GEWEHRS BESCHÄDIGEN. BEACHTEN SIE BITTE UNBEDINGT DIE HINWEISE DES HERSTELLERS, BEVOR SIE REINIGER ODER LÖSUNGSMITTEL EINSETZEN.

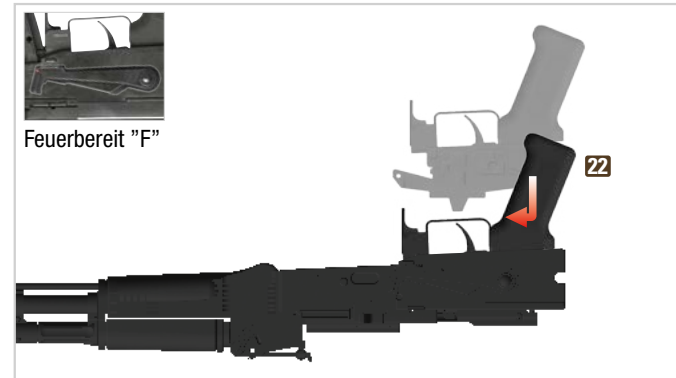
Vorgehensweise:

Benetzen Sie eine geeignete Reinigungsbürste mit Waffenöl und führen Sie diese über das Patronenlager in den Lauf ein. Entfernen Sie mit der Bürste sehr sorgfältig alle Pulverrückstände und Schmutz aus dem Lauf und dem Patronenlager. Wischen Sie Pulverrückstände und Öl von der Laufbohrung sowie vom Patronenlager mit Reinigungstüchern ab. Ölen Sie das Patronenlager leicht.

WARTUNG - MONTAGE



8. Schieben Sie jetzt das Verschlussgehäuse **23** wieder wie abgebildet in die Waffe.



9. Drehen Sie die Waffe um 180° und achten Sie darauf, dass sich der Sicherungshebel **1** in der Position F (feuerbereit) befindet. Setzen Sie das Griffstück **22** wieder in die Waffe ein und drehen Sie sie um 180°.

MAUSER AK47 CAL. .22 LR HV



RIMFIRE

WARTUNG - MONTAGE

EN

DE

FR

ES



10. Schieben Sie den Adapter **21** von oben in die Waffe und fixieren ihn mit der Schraube **20**.



11. Schieben Sie die Feder **19** und den Rastknopf **13** wieder in die Waffe.



Modell AK47 Omega



Modell AK47

12. Setzen Sie den Schaft-Adapter **15** / **17** ein und fixieren ihn mit der Schraube **16** / **18**.



13. Setzen Sie die Abdeckung **14** auf bis der Rastknopf **13** einrastet.

WARTUNG - MONTAGE

Nur Modell Mauser AK47



14. Schieben Sie den Schaft **2** wie abgebildet auf die Waffe.



15. Fixieren Sie den Schaft mithilfe der Schaftschrauben **3**.

Nur Modell Mauser AK47 Omega



16. Schieben Sie den Schaft **4** wie abgebildet auf die Waffe und fixieren ihn mit dem Gelenkstift **5**.

MAUSER AK47 CAL. .22 LR HV



RIMFIRE

PFLEGE

⚠ ACHTUNG

- ACHTEN SIE DARAUF, DASS SICH DIE WAFFE IMMER IN EINWAND-FREIEM ZUSTAND BEFINDET UND VOLL FUNKTIONSFÄHIG IST.
- REINIGEN SIE DIE WAFFE STETS NACH GEBRAUCH.
- VERÄNDERN ODER REPARIEREN SIE NIE SELBST TEILE DER WAFFE.
- LASSEN SIE DIE WAFFE ALLE 12 MONATE VON EINEM QUALIFIZIERTEN BÜCHSENMACHER ÜBERPRÜFEN, DENN DEFEKTE, ABNUTZUNG, KORROSION USW. SIND NICHT IMMER VON AUSSEN SICHTBAR.
- FÜR REPARATUREN UND WARTUNGSARBEITEN EMPFEHLEN WIR JEDOCH, DASS SIE DIE WAFFE AN IHREN HÄNDLER ZURÜCKSCHICKEN; DIESER HAT STETS EIN KOMPLETTES ERSATZTEILSORTIMENT AUF LAGER.

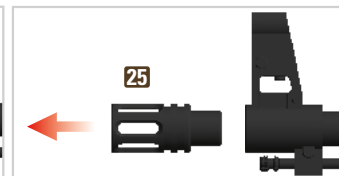
MÜNDUNGSMUTTER/ -BREMSE

⚠ WARNUNG

- STELLEN SIE DEN SICHERUNGSHEBEL AUF DIE GESICHERTE POSITION "S".
- HALTEN SIE DIE WAFFE IN EINE SICHERE RICHTUNG.
- NEHMEN SIE DEN FINGER VOM ABZUG.
- VERGEWISSERN SIE SICH, DASS DAS PATRONENLAGER LEER IST.
- PRÜFEN SIE, OB DIE WAFFE ENTLADEN UND ENTSPANNT IST.



Mündungsmutter (Modell AK47): Entfernen Sie die Mündungsmutter **24** mit einem geeigneten Maulschlüssel SW 17. Installieren Sie nun das optionale Zubehör (z.B. Mündungsbremse).



Mündungsbremse (Modell AK47 Omega): Schrauben Sie die Mündungsbremse **25** von der Waffe. Installieren Sie nun das optionale Zubehör (z.B. Mündungsmutter).

⚠ WARNUNG

FEuern SIE DIE WAFFE NIEMALS OHNE KORREKT MONTIERTE MÜNDUNGSMUTTER/MÜNDUNGSBREMSE ODER KORREKT MONTIERTEM, PASSENDEN ZUBEHÖR AB.

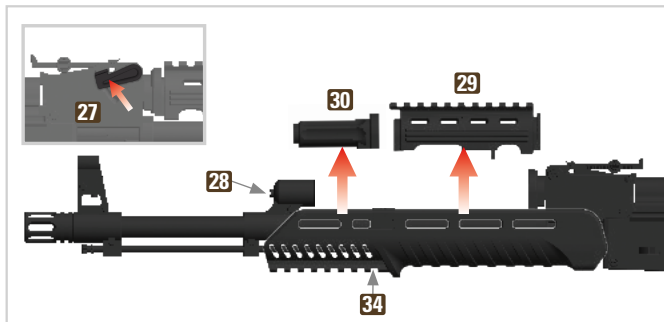
MAUSER AK47 CAL. .22 LR HV



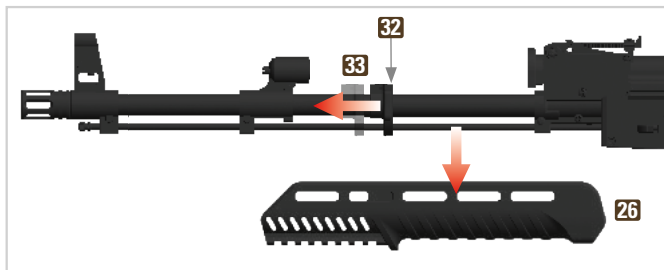
RIMFIRE

HANDGRIFFE DEMONTIEREN

Nur Modell Mauser AK47 Omega



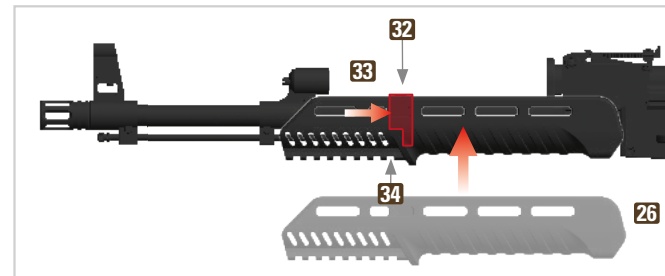
1. Schwenken Sie den Fixierhebel **27** auf der rechten Seite nach oben. Lösen Sie die Fixierschraube **28** und nehmen Sie die Handgriffe **29** und **30** nacheinander ab. Lösen Sie die Fixierschraube **34**.



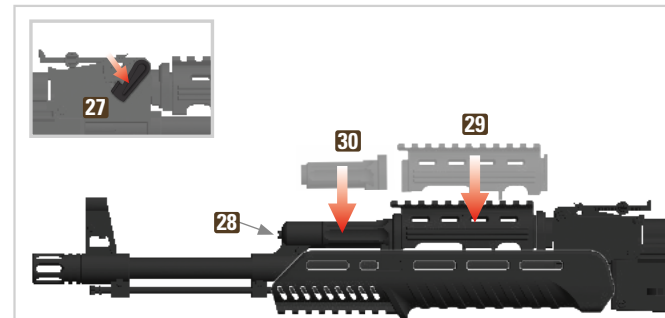
2. Lösen Sie die Fixierschraube **32**, schieben Sie den Haltebügel **33** nach vorn und entnehmen Sie den unteren Handgriff **26**.

HANDGRIFFE MONTIEREN

Nur Modell Mauser AK47 Omega



1. Setzen Sie den unteren Handgriff **26** wieder ein, schieben Sie den Haltebügel **33** an den Handgriff und schrauben Sie die Fixierschraube **32** und die Fixierschraube **34** wieder fest.



2. Setzen Sie die Handgriffe **30** und **29** nacheinander ein und schwenken den Fixierhebel **27** wieder nach unten. Schrauben Sie nun die Fixierschraube **28** wieder fest.

EN

DE

FR

ES

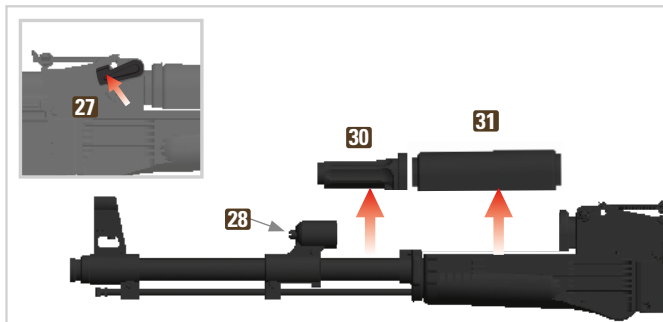
MAUSER AK47 CAL. .22 LR HV



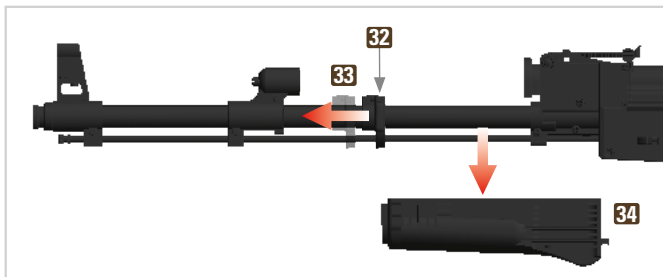
RIMFIRE

HANDGRIFFE DEMONTIEREN

Nur Modell Mauser AK47



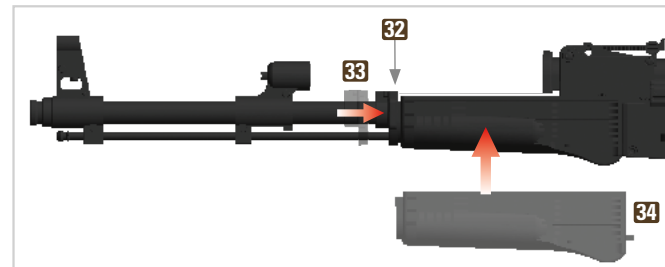
1. Schwenken Sie den Fixierhebel **27** auf der rechten Seite nach oben. Lösen Sie die Fixierschraube **28** und nehmen Sie die Handgriffe **31** und **30** nacheinander ab.



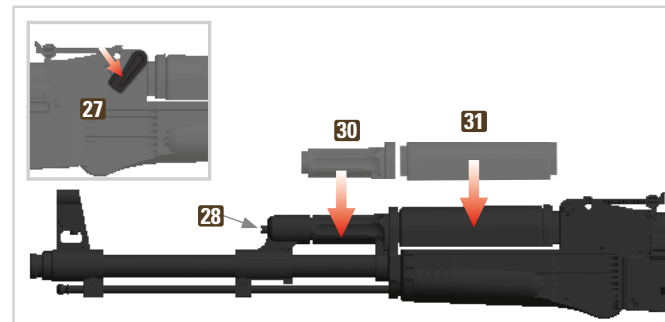
2. Lösen Sie die Fixierschraube **32**, schieben Sie den Haltebügel **33** nach vorn und entnehmen Sie den unteren Handgriff **34**.

HANDGRIFFE MONTIEREN

Nur Modell Mauser AK47



1. Setzen Sie den unteren Handgriff **34** wieder ein, schieben Sie den Haltebügel **33** an den Handgriff und schrauben Sie die Fixierschraube **32** wieder fest.



2. Setzen Sie die Handgriffe **30** und **31** nacheinander ein und schwenken den Fixierhebel **27** wieder nach unten. Schrauben Sie nun die Fixierschraube **28** wieder fest.

MAUSER AK47 CAL. .22 LR HV



RIMFIRE

FEHLERBEHEBUNG

EN

DE

FR

ES

⚠ ACHTUNG

EINE WARTUNG DER WAFFE (REINIGUNG UND INSPEKTION) GEMÄSS DEN GEGEBENEN ANWEISUNGEN KANN FUNKTIONSSTÖRUNGEN VORBEUGEN. SOLLTE WÄHREND DES SCHIESSENS DENNOCH EINE FUNKTIONSSTÖRUNG AUFTRETEN, GEHEN SIE WIE FOLGT VOR:

⚠ WARNUNG

- STELLEN SIE DEN SICHERUNGSHEBEL **1** IN DIE POSITION „F“.
- HALTEN SIE DIE WAFFE IN EINE SICHERE RICHTUNG UND HALTEN SIE IHRE FINGER VOM ABZUG FERN, WÄHREND SIE DIE NACHSTEHEND BESCHRIEBENEN SCHRITTE AUSFÜHREN.



1. Drücken Sie den Magazinhaltehebel **10**, um das Magazin **7** herauszunehmen.



2. Bringen Sie den Sicherungshebel **1** in die Position „F“. Ziehen Sie den Spannhebel **8** bis zum Anschlag zurück.

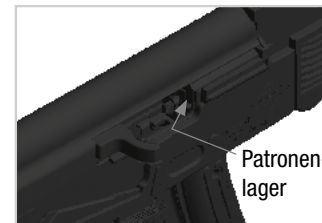
3. Entfernen Sie alle Patronen, Patronenhülsen sowie Fremdkörper.

4. Überprüfen Sie (sowohl visuell als auch manuell mit entsprechenden Hilfsmitteln), dass die Patrone tatsächlich ausgeworfen wurde und das Patronenlager leer ist. Lassen Sie den Spannhebel wieder nach vorne gleiten.

5. Wenn ein Projektil in der Bohrung festsetzt, zerlegen Sie das Gewehr und lassen Sie die Blockierung durch einen qualifizierten Büchsenmacher mit einem geeigneten Werkzeug entfernen.

6. Reinigen und schmieren Sie das Gewehr und setzen Sie es zusammen.

7. Lassen Sie die Waffe von einem Büchsenmacher oder Waffenmechaniker prüfen.



MAUSER AK47 CAL. .22 LR HV



LAGERUNG, SICHERE AUFBEWAHRUNG UND TRANSPORT

LAGERUNG

WARNUNG

- BEWAHREN SIE IHRE WAFFE STETS UNGELADEN UND IN GEREINIGTEM ZUSTAND AUF.
- LAGERN SIE DIE WAFFE STETS GETRENNT VON IHRER MUNITION UND UNTER VERSCHLUSS.
- DIE WAFFE UND DIE MUNITION DÜRFEN NICHT FÜR KINDER ODER UNERFAHRENE ODER UNBEFUGTE PERSONEN ZUGÄNGLICH SEIN.
- VERGEWISSERN SIE SICH, DASS SIE ALLE ANWENDBAREN GESETZE ÜBER DIE LAGERUNG VON SCHUSSWAFFEN EINHALTEN.

TRANSPORT

WARNUNG

- TRANSPORTIEREN SIE DIE WAFFE ZU IHRER EIGENEN SICHERHEIT UND ZUR SICHERHEIT ANDERER STETS ENTLADEN UND ENTSPANNT.
- FÜHREN SIE NIE EINE WAFFE MIT SICH, DIE BEREITS GESPANNT WURDE UND EINE PATRONE IM PATRONENLAGER ENTHÄLT.
- TRANSPORTIEREN SIE DIE WAFFE GETRENNT VON DER MUNITION.
- VERGEWISSERN SIE SICH, DASS SIE ALLE ANWENDBAREN GESETZE ÜBER DEN TRANSPORT VON SCHUSSWAFFEN EINHALTEN.

GEWÄHRLEISTUNG

Im Gewährleistungsfall wenden Sie sich bitte an Ihren Fachhändler. Beschreiben Sie ihm das Problem und fügen Sie den entsprechenden Kaufbeleg bei.

ENTSORGUNG

Halten Sie sich genau an die jeweils geltenden nationalen Gesetzesvorschriften über die ordnungsgemäße Entsorgung von Schusswaffen.

ZUBEHÖR

Passendes Zubehör finden Sie über die Internetseite www.germansportguns.de

Notwendige Angaben für die Bestellung von Zubehör:

- Waffenmodell (Kaliber, Bezeichnung)
- Waffen-Seriennummer
- Artikel- und Teilenummer (zu finden unter www.germansportguns.de)

Die in dieser Bedienungsanleitung enthaltenen Informationen können ohne Ankündigung geändert werden. Eine jeweils aktuelle Version der Bedienungsanleitung finden Sie zum Download auf unserer Internetseite www.germansportguns.de. Dort erfahren Sie auch noch mehr Wissenswertes über GSG und Ihr Modell.

MAUSER AK47 CAL. .22 LR HV



RIMFIRE

INTRODUCTION

EN

DE

FR

ES

Description	Page
Consignes de sécurité	42-43
Désignation des composants/Données technique	44
Montage de la crosse / Montage de la crosse pliante	45
Sûretés	46
Chargement	46-47
Tirer	48
Rechargement pendant le tir	48
Dechargement de l'arme (magasin non vide)	49
Dechargement de l'arme (magasin vide)	50
Désarmement de l'arme	50
Système de visée/ Réglage du système de visée	51
Entretien - démontage pour le nettoyage	52-53
Entretien - nettoyage	54
Entretien - remontage après le nettoyage	54-55
Entretien	56
Écrou de bouche/Frein de bouche	56
Démonter/Monter les poignées	57-58
Dépannage - jam removal	59
Stockage, rangement et transport en toute sécurité	60
Garantie	60
Mise au rebut/élimination	60



AVERTISSEMENT

LA RESPONSABILITÉ / GARANTIE DU FABRICANT EST ANNULÉE DÈS LORS QUE DES MODIFICATIONS INAPPROPRIÉES SONT AP-PORTÉES AU PRODUIT OU QUE DES ACTIVITÉS / TRANSFORMATI-ONS SONT EFFECTUÉES PAR UNE PERSONNE NON COMPÉTENTE / NON AUTORISÉE À CET EFFET. LES LOIS ET AUTRES PRESCRIP-TIONS NATIONALES, RÉGIONALES ET LOCALES S'APPLIQUENT EN PRINCIPE.

DONNÉES TECHNIQUES

Calibre .22 Long Rifle HV

Capacité du magasin 24/15*/10*/2*

*en option

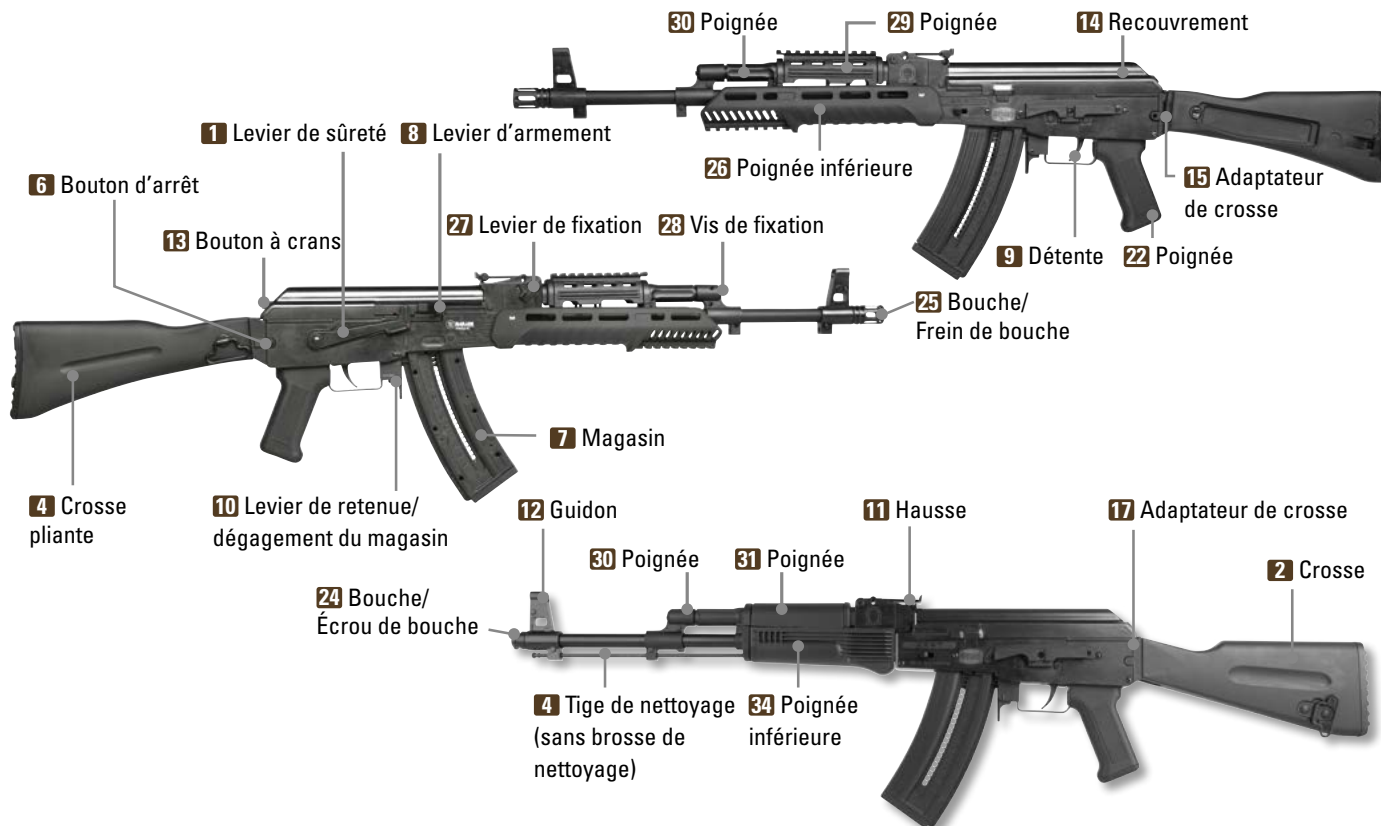
MAUSER AK47

CAL. .22 LR HV



RIMFIRE

DÉSIGNATION DES COMPOSANTS



MAUSER AK47 CAL. .22 LR HV



RIMFIRE

⚠️ CONSIGNES DE SÉCURITÉ

⚠️ AVERTISSEMENT

LE NON-RESPECT DES CONSIGNES ET RECOMMANDATIONS INSCRITES DANS CETTE NOTICE PEUT ENTRAÎNER DES BLESSURES CORPORELLES GRAVES (TELLES QUE DES BLESSURES AU VISAGE, AUX YEUX, AUX OREILLES, LA CÉCITÉ, LA SURDITÉ), VOIRE LA MORT.

⚠️ AVERTISSEMENT

CE PRODUIT PEUT VOUS EXPOSER À DES PRODUITS CHIMIQUES, DONT LE PLOMB, QUI EST CONNU DANS L'ÉTAT DE CALIFORNIE POUR PROVOQUER DES CANCERS ET DES ANOMALIES CONGÉNITALES OU D'AUTRES TROUBLES DU SYSTÈME REPRODUCTIF. POUR PLUS D'INFORMATIONS, VEUILLEZ CONSULTER LES INFORMATIONS CI-APRÈS WWW.P65WARNINGS.CA.GOV.

- N'utilisez jamais l'arme sous l'influence de l'alcool ou de drogues, si vous êtes malade ou souffrez d'autres troubles ; ceci peut porter atteinte à votre faculté de jugement et à vos réflexes.
- Avant d'utiliser l'arme, assurez-vous d'avoir bien compris toutes ses fonctions et d'être pleinement conscient des dangers qui pourraient en résulter dans le cas contraire.
- Considérez l'arme toujours comme chargée et prête à tirer (sûreté dégagee) jusqu'à ce que vous vous soyez convaincu du contraire.
- Veillez à toujours pointer la bouche de l'arme dans une direction sûre lorsque vous la manipulez. Est considérée comme une direction sûre une zone dans laquelle ne se trouve(nt) aucun être humain (y compris vous-même), aucun animal et aucun objet sur lequel vous n'avez pas l'intention de tirer.

- Ne dirigez jamais le pistolet vers des portes, des vitres, des murs, du béton, des pierres ou des surfaces planes (l'eau compris). Un projectile peut perforer ces éléments ou être dévié dans une direction peu sûre.
- Ne vous fiez jamais aux mécanismes de sécurité et manipulez toujours votre arme comme si les mécanismes de sécurité ne fonctionnaient pas. Les mécanismes de sécurité ne remplacent pas une manipulation prudente et correcte de l'arme.
- Ne tirez jamais avec un pistolet dans lequel de l'eau, du sable, des impuretés ou d'autres corps étrangers ont pénétré.
- Ne rangez jamais une arme chargée. Déchargez toujours l'arme directement après le tir, avant de déposer l'arme, de la mettre dans son étui ou de la remettre à une autre personne habilitée.
- Ne conservez jamais l'arme chargée, mais enlevez le magasin et vérifiez qu'aucune cartouche ne se trouve dans la chambre du canon.
- Ne laissez jamais l'arme entre les mains d'une personne qui n'est pas dûment familiarisée avec les consignes de sécurité et avec le maniement de l'arme par la lecture de ce mode d'emploi.
- Ne laissez jamais l'arme sans surveillance et protégez-la contre tout accès par des personnes non autorisées.
- Conservez toujours l'arme et la munition séparément et vérifiez que ni l'un ni l'autre ne peuvent parvenir entre les mains de personnes non habilitées ou d'enfants.
- Ne placez pas le doigt sur la détente, sauf lors du tir.
- Veillez à toujours utiliser un pare-balles adapté à la cible ; ne tirez jamais vers le ciel.
- Vérifiez que vous-même et toutes les personnes près de vous portent une protection des oreilles (casque de tir) et des yeux (lunettes de tir).

EN

DE

FR

ES

MAUSER AK47 CAL. .22 LR HV



RIMFIRE

CONSIGNES DE SÉCURITÉ

- Lors des séances de tir dans des stands de tir fermés, veillez à une ventilation suffisante.
- N'essayez jamais de traverser un obstacle, un fleuve, une clôture ou quelque chose de similaire avec une arme chargée.
- Tenez vos doigts éloignés des pièces mobiles, telles que la partie exposée de la culasse dans l'ouverture d'éjection, la poignée de chargement et la bouche de l'arme.
- Utilisez pour votre arme uniquement des munitions usuelles du commerce fabriquées en conformité avec les prescriptions des organisations de normalisation C.I.P. ou SAAMI. N'utilisez jamais de munitions non-standardisées, reconditionnées/rechargées ou chargées à la main.
- N'utilisez pas de munitions déformées de quelque façon que ce soit ou déformées lors d'un dysfonctionnement de l'arme.
- Si vous remarquez un dysfonctionnement quelconque (p.ex. un défaut d'extraction, un défaut d'alimentation, un défaut d'éjection ou un coincement de douille), cessez le tir et déchargez le pistolet.
- Au cas où un projectile ne sortirait pas du canon, en raison d'une cartouche non chargée ou insuffisamment chargée, vous le remarqueriez par un recul absent ou exceptionnellement faible et/ou par une flamme absente ou faible à la sortie de la bouche du canon. Dans chacun de ces cas, cessez immédiatement le tir jusqu'à ce que l'arme ait été examinée et le canon libéré du projectile coincé par un armurier professionnel. N'essayez jamais de dégager une balle coincée en tirant un autre coup de canon !
- En cas d'un défaut de mise à feu, attendez au moins une minute en continuant à pointer l'arme prête à tirer sur votre cible ou dans une direction sûre avant de procéder au déchargement de l'arme.

AVERTISSEMENT

N'UTILISEZ CETTE ARME DE POING QUE LORSQUE LA CROSSE EST CORRECTEMENT MONTÉE ! L'ARME EST CONÇUE POUR ÊTRE ACTIONNÉE UNIQUEMENT AVEC LA CROSSE MONTÉE. LA CROSSE NE DOIT ÊTRE DÉMONTÉE QUE POUR LE NETTOYAGE OU POUR PROCÉDER À DES RÉPARATIONS ; AVANT TOUTE RÉUTILISATION DE L'ARME, LA CROSSE DOIT ÊTRE REMONTÉE. UNE UTILISATION DE L'ARME SANS QUE LA CROSSE SOIT CORRECTEMENT MONTÉE EST SUSCEPTIBLE DE PROVOQUER DES BLESSURES, VOIRE LA MORT. DANS TOUS CES CAS, LE FABRICANT NE SAURAIT ÊTRE TENU RESPONSABLE. VEUILLEZ NOTER QUE TOUTE MODIFICATION APPORTÉE À L'ARME PAR RAPPORT À L'ÉTAT DE LIVRAISON ENTRAÎNERAIT LA PERTE DE LA GARANTIE AINSI QUE LA PERTE DE TOUTES PRÉTENTIONS EN RESPONSABILITÉ TANT ENVERS LE FABRICANT QU'ENVERS L'IMPORTATEUR.

AVERTISSEMENT

UNE PROTECTION DES YEUX ET UNE PROTECTION DES OREILLES EST NÉCESSAIRE ! PORTEZ DES LUNETTES DE SÉCURITÉ APPROPRIÉES (LUNETTES DE TIR) ET UNE PROTECTION DES OREILLES !



MAUSER AK47 CAL. .22 LR HV



RIMFIRE

MONTAGE DE LA CROSSE

AVERTISSEMENT

N'UTILISEZ CETTE ARME DE POING QUE LORSQUE LA CROSSE EST CORRECTEMENT MONTÉE ! L'ARME EST CONÇUE POUR ÊTRE ACTIONNÉE UNIQUEMENT AVEC LA CROSSE MONTÉE.

Modèle Mauser AK47 seulement



1. Enfilez la crosse **2** sur l'arme conformément à l'illustration.



2. Fixez la crosse à l'aide des vis de crosse **3**.

MONTAGE DE LA CROSSE PLIANTE

Modèle Mauser AK47 Omega seulement



1. Installez la crosse pliante **4** sur l'arme conformément à l'illustration et faites-la enclencher. Fixez-la à l'aide du pivot articulé **5**.

DÉPLIER LA CROSSE PLIANTE

Modèle Mauser AK47 Omega seulement



1. Appuyez le bouton d'arrêt **6** et repliez la crosse **4** vers le côté.

EN

DE

FR

ES

MAUSER AK47 CAL. .22 LR HV



RIMFIRE

DISPOSITIFS DE SÉCURITÉ (SÛRETÉS)

AVERTISSEMENT

NE TRANSPORTEZ JAMAIS L'ARME LORSQU'ELLE EST ARMÉE ET/OU CHARGÉE. L'IDÉAL SERAIT DE L'ARMER ET DE LA CHARGER JUSTE AVANT LE TIR.



1. Sûreté

Remarque : Lorsque le magasin **7** est retiré, la détente est bloquée et donc sécurisée.

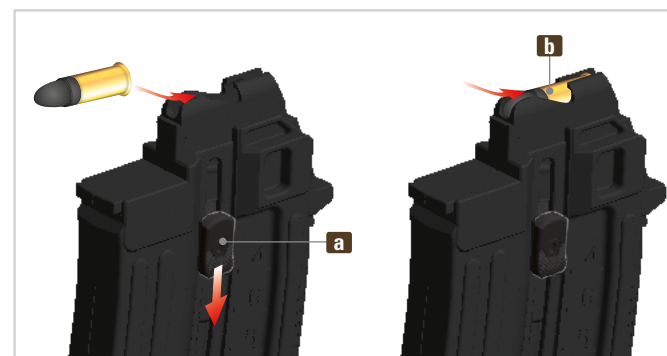
AVERTISSEMENT

NE VISEZ JAMAIS DES OBJETS SUR LESQUELS VOUS N'AVEZ PAS L'INTENTION DE TIRER. NE VISEZ JAMAIS AVEC L'ARME SUR DES PERSONNES OU DES ANIMAUX.

CHARGEMENT DU MAGASIN

AVERTISSEMENT

UTILISEZ POUR VOTRE ARME UNIQUEMENT DES MUNITIONS USUELLES DU COMMERCE ASSORTIES AU CALIBRE DE L'ARME ET FOURNIES DANS LEURS EMBALLAGES ORIGINAUX. LA SPÉCIFICATION DU CALIBRE EST MARQUÉE SUR L'ARME. UTILISEZ POUR VOTRE ARME UNIQUEMENT DES MUNITIONS USUELLES DU COMMERCE FABRIQUÉES EN CONFORMITÉ AVEC LES PRESCRIPTIONS DES ORGANISATIONS DE NORMALISATION C.I.P. OU SAAMI. N'UTILISEZ JAMAIS DE MUNITIONS NON-STANDARDISÉES, RECONDITIONNÉES/RECHARGÉES OU CHARGÉES À LA MAIN.



1. 1. Tirez le bouton d'alimentation du magasin **a** vers le bas et insérez la cartouche **b** (comme montré dans la figure) jusqu'à la butée arrière.

Remarque : Ne chargez dans le magasin que le nombre de cartouches que vous avez l'intention de tirer (max. 24/15*/10*/2* cartouches).

MAUSER AK47 CAL. .22 LR HV



RIMFIRE

CHARGEMENT DE L'ARME

EN

DE

FR

ES

⚠ AVERTISSEMENT

PRENEZ L'HABITUDE DE TOUJOURS LAISSER L'ARME SÉCURISÉE (SÛRETÉ ENCLENCHÉE), DÉARMÉE ET SÉCURISÉE JUSQU'À CE QUE VOUS SOYEZ PRÊT À TIRER.

⚠ AVERTISSEMENT

- LE LEVIER DE SÛRETÉ DOIT TOUJOURS ÊTRE PLACÉ SUR « S » (SÛRETÉ ENCLENCHÉE). VEILLEZ À NI CHARGER NI DÉCHARGER L'ARME À L'INTÉRIEUR D'UN VÉHICULE OU DANS UN AUTRE ESPACE RESTREINT (SAUF DANS UN STAND DE TIR CONÇU À CET EFFET). AVANT LE CHARGEMENT, ESSUYEZ TOUJOURS L'EXCÈS DE GRAISSE ET D'HUILE ET VÉRIFIEZ VISUELLEMENT L'ABSENCE DE CORPS ÉTRANGERS DANS LE CANON.
- POINTEZ LA BOUCHE DE L'ARME DANS UNE DIRECTION SÛRE.
- NE METTEZ PAS LE DOIGT SUR LA DÉTENTE, MAIS MAINTENEZ-LE EN DEHORS DU PONTET. CHARGEZ L'ARME EN INSÉRANT LE MAGASIN JUSTE AVANT LE TIR.
- TIREZ LE LEVIER D'ARMEMENT VERS L'ARRIÈRE POUR CHARGER LA PREMIÈRE CARTOUCHE. **NE VOUS FIEZ JAMAIS AUX MÉCANISMES DE SÉCURITÉ. LES MÉCANISMES DE SÉCURITÉ NE REMPLACENT PAS UNE MANIPULATION PRUDENTE ET CORRECTE DE L'ARME.**
- GARDEZ TOUJOURS L'ARME À LA MAIN TANT QU'ELLE N'EST PAS DÉCHARGÉE.



1. Insérez le magasin chargé **7** et vérifiez qu'il est complètement enclenché.



2. Mettez le levier de sûreté **1** dans la position « F ».



3. Tirez le levier d'armement **8** vers l'arrière jusqu'à la butée, puis faites-le reglisser en avant. L'arme est alors chargée et prête à tirer.



4. Mettez le levier de sûreté **1** dans la position « S ». L'arme est alors chargée et armée mais en position de sûreté.

MAUSER AK47 CAL. .22 LR HV



RIMFIRE

TIRER



1. Mettez le levier de sûreté **1** dans la position « F » (sûreté dégagée). L'arme est maintenant prête à tirer. Visez dans une direction sûre et actionnez la détente **9**. **Remarque:** Après le dernier coup, la culasse et retenue en position ouverte.

RECHARGMENT PENDANT LE TIR

⚠ AVERTISSEMENT

- METTEZ LE LEVIER DE SÛRETÉ DANS LA POSITION « S » (SÛRETÉ ENCLENCHÉE).
- VEILLES À TOUJOURS MAINTENIR L'ARME POINTÉE DANS UNE DIRECTION SÛRE.
- ENLEVEZ LE DOIGT DE LA DÉTENTE.



- Appuyez sur le bouton de retenue/dégagement du magasin **10** et enlevez le magasin **7**.
- Insérez le magasin chargé et vérifiez qu'il est complètement enclenché.
- Tirez le levier d'armement vers l'arrière, puis faites-le glisser en avant.
- L'arme est maintenant rechargée et armée.

⚠ AVERTISSEMENT

- N'UTILISEZ CETTE ARME DE POING QUE LORSQUE LA CROSSE EST CORRECTEMENT MONTÉE !
- LORS DU TIR, VEILLES À CE QUE VOS DOIGTS, VOS MAINS OU D'AUTRES PARTIES DU CORPS NE SE TROUVENT PAS DEVANT, AU-DESSUS OU À CÔTÉ DE LA BOUCHE DU CANON OU DE LA FENÊTRE D'ÉJECTION DES DOUILLES.
- NE PERMETTEZ JAMAIS À DES PERSONNES OU À D'AUTRES CRÉATURES VIVANTES D'ÊTRE PRÉSENTES DANS UN ENDROIT OÙ ELLES RISQUERAIENT D'ÊTRE TOUCHÉES PAR LES DOUILLES DE CARTOUCHES ÉJECTÉES.
- LORS DU TIR, PORTEZ TOUJOURS UNE PROTECTION DES OREILLES (CASQUE DE TIR) ET DES YEUX (LUNETTES DE TIR). INDIQUEZ AUX PERSONNES QUI SE TROUVENT PRÈS DE VOUS QU'ELLES DOIVENT ÉGALEMENT PORTER UNE PROTECTION DES OREILLES (CASQUE DE TIR) ET DES YEUX (LUNETTES DE TIR).
- INTERROMPEZ LE TIR IMMÉDIATEMENT ET DÉCHARGEZ L'ARME LORSQUE VOUS SUPPOSEZ QU'UNE CARTOUCHE N'A PAS ÉTÉ CORRECTEMENT ACHÉMINÉE, QU'UNE DOUILLE EST COINCÉE, QU'UN PROJECTILE POURRAIT AVOIR OBTURÉ LE CANON OU QU'UN TIR EST ENTENDU OU PERÇU COMME ÉTANT FAIBLE OU ANORMAL.
- AU CAS OÙ UN PROJECTILE BLOQUÉ OBTURERAIT LE CANON, N'ESSEYEZ JAMAIS DE LE SORTIR EN TIRANT UNE AUTRE CARTOUCHE.

⚠ ATTENTION

NE POSEZ PAS LA MAIN LIBRE SUR LE MAGASIN, CAR CELA POURRAIT ENTRAÎNER DES DYSFONCTIONNEMENTS. TENEZ L'ARME PAR LE GARDE-MAIN.

MAUSER AK47 CAL. .22 LR HV



RIMFIRE

DÉCHARGEMENT DE L'ARME - MAGASIN NON VIDE

EN

DE

FR

ES

AVERTISSEMENT

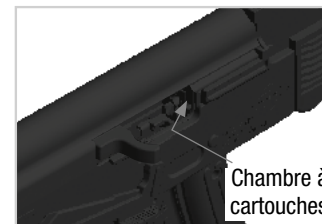
GARDEZ TOUJOURS L'ARME À LA MAIN TANT QU'ELLE N'EST PAS DÉCHARGÉE.

AVERTISSEMENT

- LORSQU'E L'ARME EST CHARGÉE, UNE CARTOUCHE SE TROUVE DANS LA CHAMBRE.
- NE PLACEZ JAMAIS VOTRE MAIN AU-DESSUS DE LA FENÊTRE D'ÉJECTION DES CARTOUCHES.
- POINTEZ LA BOUCHE DE L'ARME DANS UNE DIRECTION SÛRE.
- METTEZ LE LEVIER DE SÛRETÉ DANS LA POSITION « S » (SÛRETÉ ENCLenchÉE).



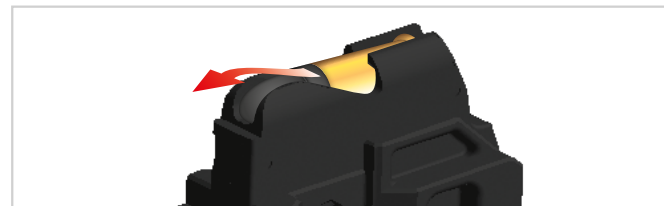
1. Mettez le levier de sûreté **1** dans la position « S » et appuyez sur le bouton de retenue/dégagement du magasin **10** et enlevez le magasin **7**.



2. Mettez le levier de sûreté **1** dans la position « F ». Tirez le levier d'armement **8** vers l'arrière jusqu'à la butée, la cartouche est alors éjectée. Vérifiez (visuellement et manuellement avec des moyens auxiliaires adaptés) que la cartouche a été éjectée et qu'aucune cartouche ne se trouve plus dans la chambre. Faites regliser le levier d'armement en avant.

AVERTISSEMENT

L'ARME EST MAINTENANT DÉCHARGÉE, MAIS PAS DÉSARMÉE.



3. Videz le magasin. Ramassez la cartouche éjectée et nettoyez l'arme.

MAUSER AK47 CAL. .22 LR HV



RIMFIRE

DÉSARMEMENT DE L'ARME - MAGASIN VIDE



1. Enclenchez la sûreté de l'arme et appuyez sur le bouton de retenue/dégagement du magasin **10**, pour enlever le magasin **7**. Après la dernière cartouche, la fenêtre d'éjection des douilles doit être en position ouverte. Vérifiez (visuellement et manuellement avec des moyens auxiliaires adaptés) que la cartouche a été éjectée et que la chambre à cartouches est vide.

AVERTISSEMENT

L'ARME EST MAINTENANT DÉCHARGÉE, MAIS PAS DÉARMÉE.

DÉSARMEMENT DE L'ARME

AVERTISSEMENT

VÉRIFIEZ QU'AUCUNE CARTOUCHE NE SE TROUVE PLUS DANS LE CANON OU DANS LA CHAMBRE À CARTOUCHES.

Désarmer :

1. Enlevez le magasin vide.
2. Tirez le levier d'armement vers l'arrière, puis faites-le glisser en avant. La culasse doit « bondir » simultanément vers l'avant de façon à ce que la fenêtre d'éjection des douilles se ferme.
3. Insérez un magasin **vide**.
4. Mettez le levier de sûreté dans la position « F » (arme prête au tir), pointez l'arme dans une direction sûre et actionnez la détente.

ATTENTION

ACTIONNEZ LA DÉTENTE UNIQUEMENT LORSQU'UN MAGASIN VIDE EST INSÉRÉ ET QU'AUCUNE CARTOUCHE NE SE TROUVE PLUS DANS LA CHAMBRE À CARTOUCHES.

5. Le percuteur saute vers l'avant, l'arme passe alors à l'état désarmé.
6. Ramenez le levier de sûreté vers la position « S » (sûreté enclenchée) et enlevez le magasin vide.

AVERTISSEMENT

SI, APRÈS CETTE PROCÉDURE, VOUS TIREZ DE NOUVEAU LE LEVIER D'ARMEMENT VERS L'ARRIÈRE, VOUS RÉARMEZ L'ARME, CE QUI SIGNIFIE QUE L'ARME EST DE NOUVEAU PRÊTE AU TIR !

MAUSER AK47 CAL. .22 LR HV

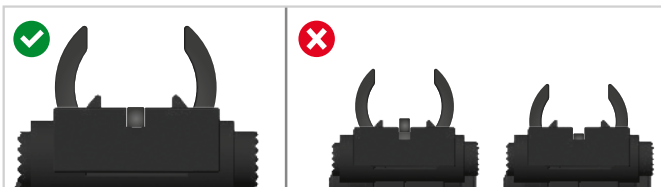


RIMFIRE

SYSTÈME DE VISÉE

⚠ AVERTISSEMENT

NE VISEZ JAMAIS DES OBJETS SUR LESQUELS VOUS N'AVEZ PAS L'INTENTION DE TIRER. NE VISEZ JAMAIS AVEC L'ARME SUR DES PERSONNES OU DES ANIMAUX.

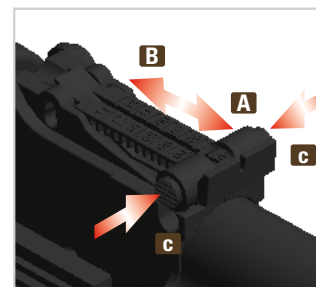


1. Viser

RÉGLAGE DU SYSTÈME DE VISÉE

⚠ AVERTISSEMENT

AVANT DE PROCÉDER À N'IMPORTE QUEL RÉGLAGE, VEILLER À METTRE LE LEVIER D'ARMEMENT DANS LA POSITION « S » (SÛRETÉ ENCLENCHÉE) ET POINTEZ LA BOUCHE DE L'ARME DANS UNE DIRECTION SÛRE.



2. Réglage en site (hauteur, hausse) :

Appuyez les boutons à crans **C** et ajustez la hausse à l'aide du curseur à crans.

Si le point d'impact est trop haut :

Déplacez le curseur à crans vers la position **B**.

Si le point d'impact est trop bas :

Déplacez le curseur à crans vers la position **A**.

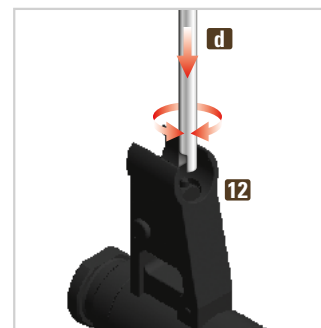
5. Réglage en site (hauteur,) :

Si le point d'impact est trop haut :

Vissez le guidon **12** à l'aide de l'outil multi-usage **d** dans le sens contraire des aiguilles d'une montre pour déplacer le guidon vers le haut.

Si le point d'impact est trop bas :

Vissez le guidon **12** à l'aide de l'outil multi-usage dans le sens des aiguilles **d** d'une montre pour déplacer le guidon vers le bas.



EN

DE

FR

ES

MAUSER AK47 CAL. .22 LR HV



RIMFIRE

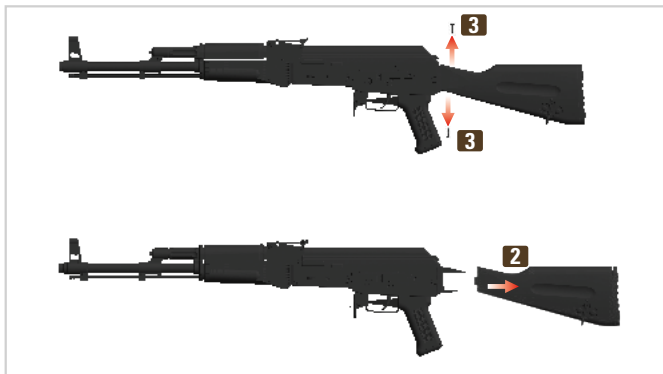
ENTRETIEN – DÉMONTAGE POUR LE NETTOYAGE

⚠ AVERTISSEMENT

- METTEZ LE LEVIER DE SÛRETÉ DANS LA POSITION « S » (SÛRETÉ ENCLENCHÉE).
- VEILLEZ À TOUJOURS MAINTENIR L'ARME POINTÉE DANS UNE DIRECTION SÛRE.
- ENLEVEZ LE DOIGT DE LA DÉTENTE.
- ASSUREZ-VOUS QUE LA CHAMBRE À CARTOUCHES EST VIDE.
- VÉRIFIEZ QUE L'ARME EST DÉCHARGÉE ET DÉSARMÉE.

1. Démontage de la crosse

Modèle Mauser AK47 seulement



a. Retirez les vis de crosse **3** et retirez la crosse **2** vers l'arrière.

1. Démontage de la crosse

Modèle Mauser AK47 Omega seulement



a. Retirez le pivot articulé **5** de l'adaptateur de crosse **15** en tirant vers le haut.



b. Appuyez le bouton d'arrêt **6** et retirez la crosse pliante **4** vers l'arrière.

MAUSER AK47 CAL. .22 LR HV



RIMFIRE

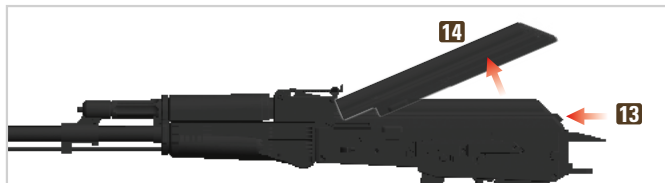
ENTRETIEN – DÉMONTAGE POUR LE NETTOYAGE

EN

DE

FR

ES



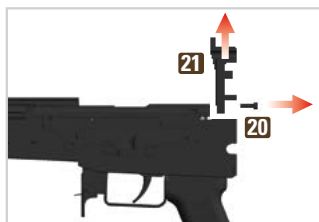
2. Appuyez le bouton à crans **13** et retirez le recouvrement **14**.



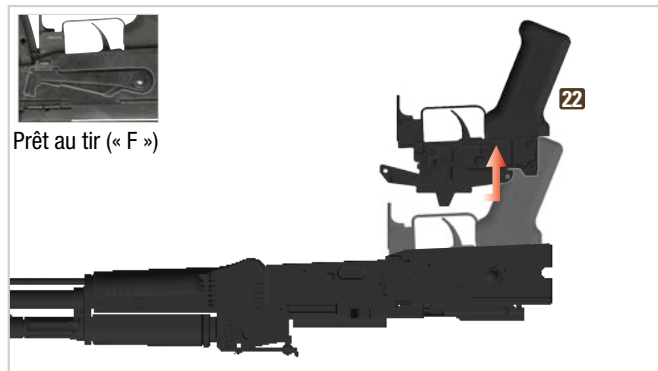
3. Dévissez et retirez la vis **16** / **18** et l'adaptateur de crosse **15** / **17**.



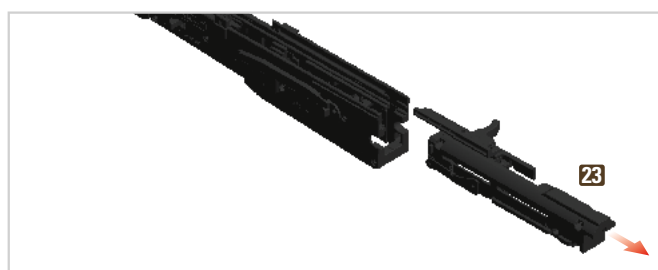
4. Retirez le ressort **19** et le bouton à crans **13**.



5. Retirez la vis **20** avec l'outil multi-usage. Retirez alors l'adaptateur **21** de l'arme en le tirant vers le haut.



6. Tournez l'arme de 180° amenez le levier de sûreté **1** à la position F (prêt à tirer). Retirez légèrement la poignée **22** et retirez-la vers le haut.



7. Retournez le système encore une fois et retirez maintenant le boîtier de fermeture **23** vers l'arrière.

MAUSER AK47 CAL. .22 LR HV



ENTRETIEN - NETTOYAGE

⚠ ATTENTION

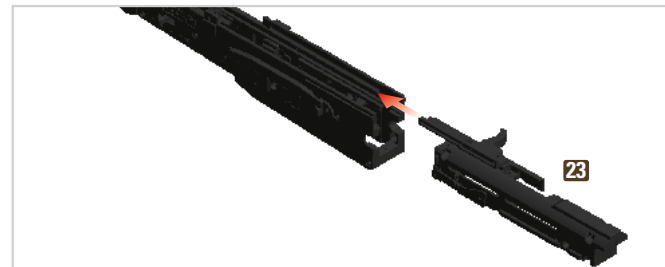
- ABSTENEZ-VOUS DE DÉMONTÉ ENCORE PLUS L'ARME ! LE NETTOYAGE PEUT ÊTRE EFFECTUÉ SANS AUCUN DÉMONTAGE SUPPLÉMENTAIRE. TOUT DÉMONTAGE SUPPLÉMENTAIRE NE DEVRAIT ÊTRE EFFECTUÉ QUE PAR DU PERSONNEL QUALIFIÉ.
- VEILLEZ À N'UTILISER NI DE BROSSES EN ACIER NI D'AUTRES PRODUITS DURS OU ABRASIFS POUR NETTOYER LE CANON OU LES AUTRES PIÈCES MÉTALLIQUES, CAR CEUX-CI RISQUERAIENT D'ENDOMMAGER LES SURFACES INTÉRIEURES DU CANON. N'UTILISEZ QUE DES TIGES DE NETTOYAGE ET DES BROSSES ADAPTÉES AU CALIBRE DE L'ARME.
- LES SOLVANTS RISQUERAIENT D'ENDOMMAGER LA SURFACE DE L'ARME. AVANT D'UTILISER UN QUELCONQUE PRODUIT DE NETTOYAGE OU SOLVANT, LISEZ TOUJOURS LES INSTRUCTIONS DU FABRICANT.

Étapes à suivre :

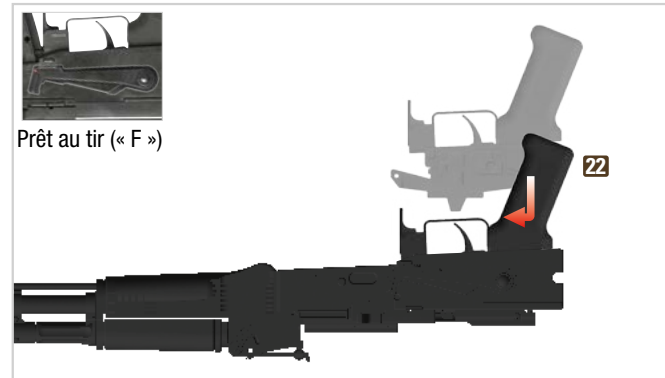
Humidifiez une tige de nettoyage adaptée avec de l'huile pour armes et introduisez-la dans le canon en passant par-dessus la chambre. Enlevez soigneusement tous les résidus de poudre et les salissures du canon et de la chambre à cartouches. Essayez les résidus de poudre et l'huile se trouvant dans l'alsage du canon et dans la chambre à cartouches au moyen de chiffons de nettoyage. Huilez légèrement la chambre à cartouches.

ENTRETIEN - REMONTAGE APRÈS LE NETTOYAGE

RIMFIRE



8. Réinstallez maintenant le boîtier de fermeture **23** dans l'arme conformément à l'illustration.



9. Tournez l'arme de 180° et veillez à ce que le levier de sûreté **1** se trouve à la position F (prêt à tirer). Réinstallez la poignée **22** dans l'arme et tournez-la de 180°.

MAUSER AK47 CAL. .22 LR HV



ENTRETIEN - REMONTAGE APRÈS LE NETTOYAGE

EN

DE

FR

ES



10. Enfillez l'adaptateur **21** dans l'arme depuis le haut et fixez-le avec la vis **20**.



11. Réintroduisez le ressort **19** et le bouton à crans **13** dans l'arme.



Modell AK47 Omega



Modell AK47

12. Installez l'adaptateur de crosse **15** / **17** et fixez-le à l'aide de la vis **16** / **18**.



13. Enfillez le recouvrement **14** jusqu'à ce que le bouton à crans **13** enclenche.

ENTRETIEN - REMONTAGE APRÈS LE NETTOYAGE

RIMFIRE

Modèle Mauser AK47 seulement:



14. Réinstallez la crosse **2** sur l'arme conformément à l'illustration.



15. Fixez la crosse à l'aide des vis de crosse **3**.

Modèle Mauser AK47 Omega seulement:



16. Installez la crosse **4** sur l'arme conformément à l'illustration et fixez-la avec le pivot articulé **5**.

MAUSER AK47 CAL. .22 LR HV



RIMFIRE

ENTRETIEN

⚠ ATTENTION

- PRENEZ GARDE À CE QUE L'ARME SE TROUVE TOUJOURS DANS UN ÉTAT IMPECCABLE ET À CE QU'ELLE SOIT PARFAITEMENT FONCTIONNELLE.
- NETTOYEZ L'ARME APRÈS CHAQUE UTILISATION.
- NE MODIFIEZ OU NE RÉPAREZ JAMAIS VOUS-MÊME LES ÉQUIPEMENTS OU LES COMPOSANTS DE L'ARME.
- FAITES VÉRIFIER L'ÉTAT DE L'ARME UNE FOIS PAR AN PAR UN ARMURIER QUALIFIÉ CAR LES DÉFAUTS, L'USURE, LA CORROSION, ETC. NE SONT PAS TOUJOURS VISIBLES DE L'EXTÉRIEUR.
- POUR LES RÉPARATIONS ET TRAVAUX D'ENTRETIEN, NOUS VOUS RECOMMANDONS TOUTEFOIS DE RENVOYER L'ARME À VOTRE REVENDEUR QUI TIENT TOUJOURS EN STOCK UNE GAMME COMPLÈTE DE PIÈCES DE RECHANGE.

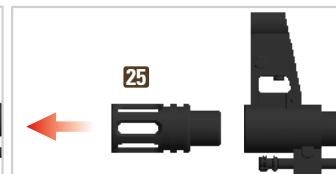
ÉCROU/FREIN DE BOUCHE

⚠ AVERTISSEMENT

- METTEZ LE LEVIER DE SÛRETÉ DANS LA POSITION « S » (SÛRETÉ ENCLENCHÉE).
- VEILLEZ À TOUJOURS MAINTENIR L'ARME POINTÉE DANS UNE DIRECTION SÛRE.
- ENLEVEZ LE DOIGT DE LA DÉTENTE.
- ASSUREZ-VOUS QUE LA CHAMBRE À CARTOUCHES EST VIDE.
- VÉRIFIEZ QUE L'ARME EST DÉCHARGÉE ET DÉSARMÉE.



Écrou de bouche (modèle AK47) :
Retirez l'écrou de bouche **24** avec une clé plate adéquate de 17. Installez maintenant les accessoires en option (frein de bouche p. ex.).



Frein de bouche (modèle AK47 Omega) : Dévissez le frein de bouche **25** de l'arme. Installez maintenant les accessoires en option (écrou de bouche ex.).

⚠ AVERTISSEMENT

NE TIREZ JAMAIS L'ARME SANS QUE L'ECROU/FREIN DE BOUCHE OU LES ACCESSOIRES ASSORTIS AIENT ÉTÉ CORRECTEMENT MONTÉS.

MAUSER AK47 CAL. .22 LR HV



RIMFIRE

DÉMONTER LES POIGNÉES

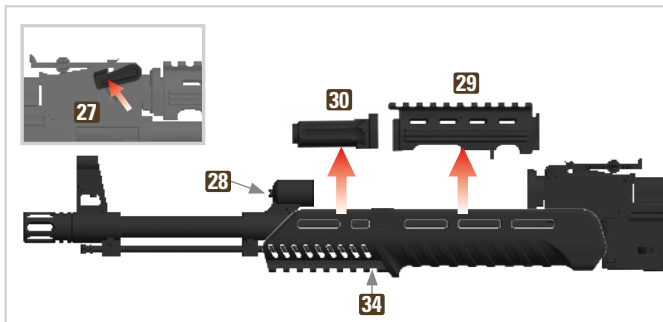
Modèle Mauser AK47 Omega seulement

EN

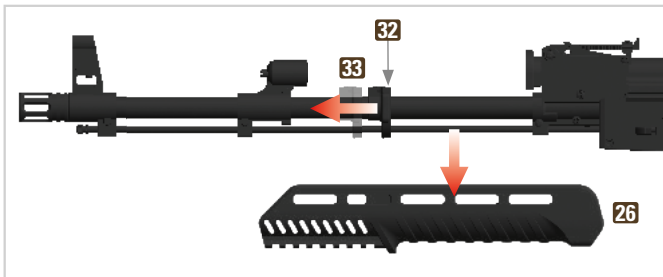
DE

FR

ES



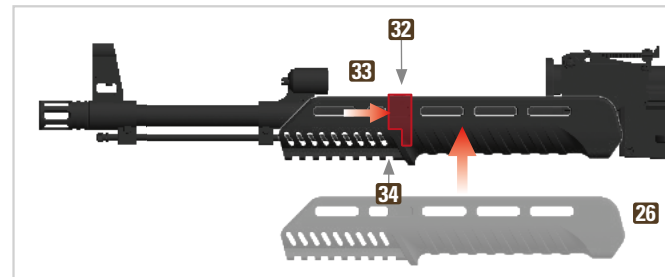
1. Pivotez le levier de fixation **27** du côté droit vers le haut. Desserrez la vis de fixation **28** et retirez les poignées **29** et **30** l'une après l'autre. Desserrez la vis de fixation **34**.



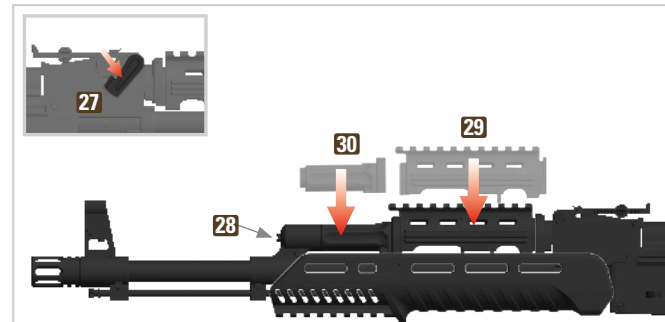
2. Desserrez la vis de fixation **32** et avancez l'étrier de fixation **33** et retirez la poignée inférieure **26**.

MONTER LES POIGNÉES

Modèle Mauser AK47 Omega seulement



1. Réinstallez la poignée inférieure **26** et déplacez l'étrier de fixation **33** à la poignée et resserrez la vis de fixation **32** et la vis de fixation **34**.



2. Réinstallez les poignées **30** et **29** l'une après l'autre et pivotez le levier de fixation **27** de nouveau vers le bas. Resserrez maintenant la vis de fixation **28**.

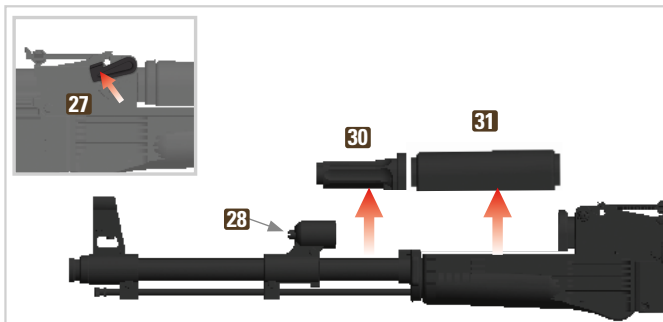
MAUSER AK47 CAL. .22 LR HV



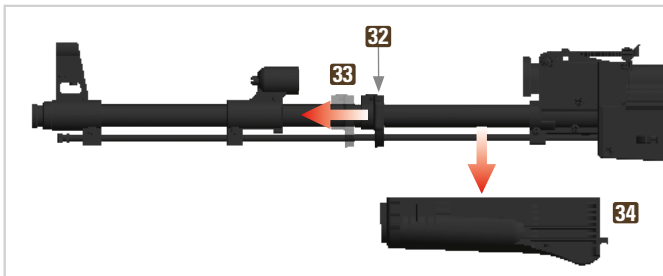
RIMFIRE

DÉMONTER LES POIGNÉES

Modèle Mauser AK47 seulement



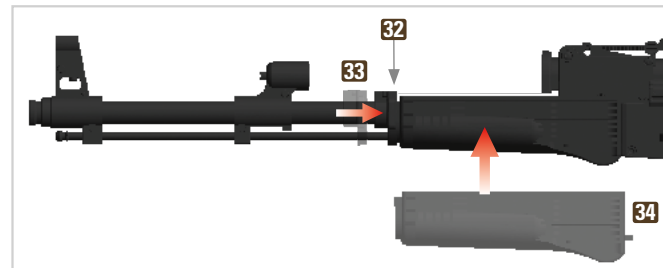
1. Pivotez le levier de fixation **27** du côté droit vers le haut. Desserrez la vis de fixation **28** et retirez les poignées **31** et **31** l'une après l'autre.



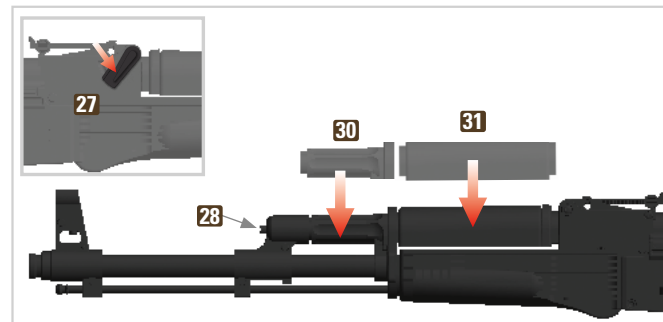
2. Desserrez la vis de fixation **32** et avancez l'étrier de fixation **33** et retirez la poignée inférieure **34**.

MONTER LES POIGNÉES

Modèle Mauser AK47 seulement



1. Réinstallez la poignée inférieure **34** et déplacez l'étrier de fixation **33** à la poignée et resserrez la vis de fixation **32**.



2. Réinstallez les poignées **30** et **31** l'une après l'autre et pivotez le levier de fixation **27** de nouveau vers le bas. Resserrez maintenant la vis de fixation **28**.

MAUSER AK47 CAL. .22 LR HV



RIMFIRE

DÉPANNAGE - JAM REMOVAL

EN

DE

FR

ES

⚠ ATTENTION

UN ENTRETIEN DE L'ARME (NETTOYAGE ET INSPECTION) CONFORMÉMENT AUX CONSIGNES PERMET D'ÉVITER DES DYSFONCTIONNEMENTS. SI UN DYSFONCTIONNEMENT DEVAIT TOUTEFOIS SURVENIR PENDANT LE TIR, PROCÉDEZ ALORS DE LA FAÇON SUIVANTE :

⚠ AVERTISSEMENT

- METTEZ LE LEVIER DE SÛRETÉ DANS LA POSITION « S » (SÛRETÉ ENCLENCHÉE).
- POINTEZ L'ARME DANS UNE DIRECTION SÛRE ET TENEZ VOS DOIGTS ÉLOIGNÉS DE LA DÉTENTE LORSQUE VOUS SUIVEZ LES ÉTAPES DÉCRITES CI-DESSOUS.



1. Appuyez sur le bouton de retenue/dégagement du magasin **10** et enlevez le magasin **7**.



Prêt au tir (« F »)

2. Mettez le levier de sûreté **1** dans la position « F ». Tirez le levier d'armement **8** vers l'arrière jusqu'à la butée.

3. Retirez toutes les cartouches, toutes les douilles et tout corps étranger.

5. Si un projectile est coincé dans l'alésage, démontez l'arme et faites supprimer le blocage par un armurier qualifié à l'aide d'un outil approprié.

6. Nettoyez et lubrifiez l'arme et assemblez-la.

7. Faites inspecter l'arme par un armurier ou un mécanicien d'armes.



Chambre à cartouches

4. Vérifiez (visuellement ou avec un outil) qu'aucun projectile, aucune cartouche, aucune douille de cartouche ou aucun corps étranger ne se trouve ni dans l'alésage du canon ni dans la chambre à cartouches.

MAUSER AK47 CAL. .22 LR HV



STOCKAGE, RANGEMENT ET TRANSPORT EN TOUTE SÉCURITÉ

STOCKAGE ET RANGEMENT

AVERTISSEMENT

- CONSERVEZ VOTRE FUSIL TOUJOURS NON CHARGÉ ET NETTOYÉ.
- STOCKEZ L'ARME TOUJOURS SÉPARÉE DE SES MUNITIONS ET SOUS CLÉ.
- LES ENFANTS OU DES PERSONNES NON EXPÉRIMENTÉES OU NON AUTORISÉES NE DOIVENT PAS AVOIR ACCÈS À L'ARME ET AUX MUNITIONS.
- VEILLEZ À RESPECTER TOUTES LES RÉGLEMENTATIONS EN VIGUEUR RELATIVES AU STOCKAGE DES ARMES À FEU.

TRANSPORT

AVERTISSEMENT

- POUR VOTRE PROPRE SÉCURITÉ ET LA SÉCURITÉ D'AUTRUI, **NE TRANSPORTEZ L'ARME QUE LORSQU'ELLE EST COMPLÈTEMENT DÉCHARGÉE ET DÉSARMÉE.**
- NE TRANSPORTEZ JAMAIS UNE ARME DÉJÀ ARMÉE ET CONTENANT UNE CARTOUCHE DANS LA CHAMBRE.
- TRANSPORTEZ L'ARME SÉPARÉMENT DES MUNITIONS.
- VEILLEZ À RESPECTER TOUTES LES RÉGLEMENTATIONS EN VIGUEUR RELATIVES AU TRANSPORT DES ARMES À FEU.

GARANTIE

En cas de recours à la garantie, veuillez vous adresser à votre revendeur spécialisé.

Décrivez-lui le problème et joignez le bon d'achat.

MISE AU REBUT/ÉLIMINATION

Respectez rigoureusement toutes les réglementations légales nationales en vigueur relatives à la mise au rebut/à l'élimination des armes à feu.

ACCESSOIRES

Les accessoires assortis à l'arme sont disponibles à partir du site Web suivant : www.germansportguns.de

- Modèle d'arme (calibre, désignation)
- Numéro de série d'arme
- Numéro d'article et numéro de pièce

Les informations continues dans cette notice peuvent faire l'objet de modifications sans préavis. Veuillez visiter notre site Web www.germansportguns.de pour consulter la plus récente version téléchargeable de la notice et pour découvrir d'autres détails intéressants sur GSG et sur votre modèle.

MAUSER AK47 CAL. .22 LR HV



RIMFIRE

INTRODUCCIÓN

EN

DE

FR

ES

Description	Page
Instrucciones de seguridad	62-63
Denominación de las piezas/Datos técnicos	64
Montaje de la culata/Culata plegable	65
Dispositivos de seguridad	66
Cargar	66-67
Disparar	68
Recargar durante el tiro	68
Decargar el arma (cargador no vacío)	69
Decargar el arma (cargador vacío)	70
Desamartillar el arma	70
Miras/ Ajustar las miras	71
Mantenimiento - desmontar el arma para limpieza	72-73
Mantenimiento - limpieza	74
Mantenimiento - remontaje después de la limpieza	74-75
Cuidado del arma	76
Tuerca de la boca/Freno de boca	76
Montar los guardamanos	77-78
Solución de problemas y eliminación de fallos	79
Conservación, almacenamiento seguro y transporte del arma	80
Garantía	80
Eliminación	80



ADVERTENCIA

LA GARANTÍA LEGAL / GARANTÍA COMERCIAL DEL FABRICANTE EXPIRará EN CUANTO SE IMPLEMENTEN MODIFICACIONES INADECUADAS EN EL PRODUCTO O SE REALICEN ACTIVIDADES / TRANSFORMACIONES POR PARTE DE UNA PERSONA NO ESPECIALIZADA /AUTORIZADA. SE APLICAN LAS LEYES NACIONALES, REGIONALES Y LOCALES, ASÍ COMO OTROS REQUISITOS.

DATOS TÉCNICOS

Calibre .22 Long Rifle HV

Capacidad del cargador 24/15*/10*/2*

*opcional

MAUSER AK47 CAL. .22 LR HV



RIMFIRE

DENOMINACIÓN DE LAS PIEZAS



MAUSER AK47 CAL. .22 LR HV



⚠️ INSTRUCCIONES DE SEGURIDAD

EN

DE

FR

ES

⚠️ ADVERTENCIA

EL INCUMPLIMIENTO DE LAS INSTRUCCIONES Y RECOMENDACIONES EXPUESTAS EN ESTE MANUAL PUEDE RESULTAR EN LESIONES CORPORALES GRAVES (INCLUYENDO LESIONES DE LA CARA, DE LOS OJOS, DE LAS OREJAS, ASÍ COMO LA CEGUERA, LA SORDERA) Y TAMBIÉN PUEDE CAUSAR LA MUERTE.

⚠️ ADVERTENCIA

ESTE PRODUCTO PUEDE EXPONERLE A PRODUCTOS QUÍMICOS, ENTRE LOS QUE SE INCLUYE EL PLOMO, SOBRE EL CUAL EL ESTADO DE CALIFORNIA HA RECONOCIDO QUE PUEDE PROVOCAR CÁNCER Y DEFECTOS DE NACIMIENTO, ASÍ COMO OTROS DAÑOS REPRODUCTIVOS. PARA MÁS INFORMACIÓN, VISITE WWW.P65WARNINGS.CA.GOV.

- Nunca haga uso del arma bajo la influencia del alcohol o de drogas, si está enfermo o padece cualquier otro tipo de molestias; todo ello puede disminuir su capacidad de juicio o sus reflejos.
- Antes de utilizar el arma, asegúrese de estar completamente familiarizado con todas sus funciones y de ser consciente de los peligros que pueden resultar en caso de no seguir las instrucciones.
- Siempre trate el arma como si estuviera cargada y como si el seguro estuviera desactivado hasta comprobar lo contrario.
- Siempre mantenga la boca del arma apuntando hacia una dirección segura. Por dirección segura se entiende una zona en la que no se encuentren ni personas (incluido usted mismo), ni animales, ni objetos sobre los que no tenga intención de disparar.
- Nunca apunte la pistola hacia puertas, placas de vidrio/ventanas, paredes, hormigón, piedras o superficies planas (incluyendo agua). Un proyectil puede atravesar estos materiales o ser desviado en una dirección no segura.
- No se fíe nunca de los mecanismos de seguridad, ya que éstos no son en ningún caso un sustituto para una manipulación precavida, correcta y segura del arma.
- Nunca dispare con un arma en la que se haya(n) infiltrado agua, arena, suciedad u otros cuerpos extraños.
- Nunca deje el arma cargada y descárguela siempre inmediatamente después de disparar, antes de depositar el arma, enfundarla en una pistolera o entregarla a otra persona autorizada.
- Antes de guardar el arma, quite primero el cargador y luego verifique que no haya ningún cartucho en la recámara.
- No entregue el arma nunca a una persona que no se haya familiarizado en profundidad con las indicaciones de seguridad así como con el manejo del arma mediante la lectura de las instrucciones de uso pertinentes.
- Nunca deje el arma sin vigilancia y manténgala siempre fuera del alcance de las manos de personas no autorizadas.
- Guarde siempre por separado el arma y la munición y asegúrese de que no se hallen al alcance de niños o personas no autorizadas.
- Mientras no dispare, siempre mantenga su dedo fuera del gatillo.
- Asegúrese de siempre tener un parabolas adecuado, y nunca dispare hacia el cielo.
- Compruebe que usted y cualquier otra persona cerca de usted utilicen orejeras y gafas de protección ocular apropiadas (gafas de tiro).

MAUSER AK47 CAL. .22 LR HV



RIMFIRE

INSTRUCCIONES DE SEGURIDAD

- Durante las sesiones de tiro en campos de tiro cerrados se debe asegurar una ventilación suficiente.
- No intente nunca cruzar obstáculos, ríos, cercos u objetos similares con un arma cargada.
- Mantenga sus dedos fuera de las partes móviles del arma, es decir, fuera de la parte expuesta del cerrojo en la ventana de expulsión, fuera de la palanca de carga así como fuera de la boca del arma.
- Utilice para el arma únicamente municiones de calidad comercial y fabricadas de conformidad con las normas CIP o SAAMI. Nunca use municiones no normalizadas, reacondicionadas/recargadas o cargadas a mano.
- Nunca utilice munición que presente deformaciones de cualquier tipo o que haya sido deformada debido a un mal funcionamiento del arma.
- Si usted observa un mal funcionamiento (p.ej. un fallo de extracción, un fallo de alimentación, un fallo de expulsión o un atasco de vaina (es decir, un casquillo atrapado), deje de disparar inmediatamente y descargue la pistola.
- Si, debido a un cartucho no cargado o insuficientemente cargado, un proyectil no sale del cañón, este fallo es reconocible por un retroceso anormalmente ligero e incluso ausente y/o por la debilidad o ausencia de fogueo. En todos esos casos, deje de disparar inmediatamente hasta que el arma haya sido debidamente examinada y el proyectil problemático retirado por un armero profesional. ¡No intente nunca sacar una bala atascada por medio de otro disparo!
- En caso de un fallo de encendido, espere al menos un minuto mientras continuando a apuntar el arma lista para disparar hacia el blanco o en una dirección segura; después, descargue el arma.

ADVERTENCIA

¡EL ARMA DEBE SER UTILIZADA SÓLO CUANDO LA CULATA ESTÉ ENCAJADA Y DESPLEGADA! EL ARMA ESTÁ CONCEBIDA PARA SU USO ÚNICAMENTE CON LA CULATA ENCAJADA. LA CULATA SOLO PUEDE DESPLEGARSE PARA FINES DE LIMPIEZA, ALMACENAMIENTO O REPARACIÓN Y DEBE SER CORRECTAMENTE ALINEADA DE NUEVO ANTES DE REUTILIZAR EL ARMA. CUALQUIER UTILIZACIÓN SIN LA CULATA ENCAJADA PUEDE RESULTAR EN LESIONES CORPORALES Y TAMBIÉN PUEDE CAUSAR LA MUERTE. EN TODOS ESTOS CASOS, EL FABRICANTE NO ASUME NINGUNA RESPONSABILIDAD. NÓTESE ADEMÁS QUE CUALQUIER MODIFICACIÓN DEL ARMA RESPECTO AL ESTADO DE SUMINISTRO TAMBIÉN DARÁ LUGAR A LA PÉRDIDA DE LA GARANTÍA ASÍ COMO A LA CADUCIDAD DE CUALQUIER PRETENSIÓN DE RESPONSABILIDAD CONTRA EL FABRICANTE Y EL IMPORTADOR.

ADVERTENCIA

¡SE REQUIERE PROTECCIÓN DE LOS OJOS Y AUDITIVA SIEMPRE USE GAFAS Y LA PROTECCIÓN AUDITIVA.



MAUSER AK47 CAL. .22 LR HV



EN

DE

FR

ES

MONTAJE DE LA CULATA

⚠ ADVERTENCIA

¡EL ARMA DEBE SER UTILIZADA SÓLO CUANDO LA CULATA ESTÉ ENCAJADA Y DESPLEGADA! EL ARMA ESTÁ CONCEBIDA PARA SU USO ÚNICAMENTE CON LA CULATA ENCAJADA.

Sólo modelo Mauser AK47



1. Coloque la culata **2** en el arma como se indica en la imagen.



2. Fije la culata con ayuda de los tornillos de la culata **3**.

MONTAJE DE LA CULATA PLEGABLE RIMFIRE

Sólo modelo Mauser AK47 Omega



1. Introduzca la culata plegable **4** en el arma y encájela como se ilustra en la imagen. Fíjela con el pasador articulado **5**.

PLEGAR DE LA CULATA

Sólo modelo Mauser AK47 Omega



1. Presione el botón de retención **6** y pliegue la culata **4** hacia un lado.

MAUSER AK47 CAL. .22 LR HV



RIMFIRE

DISPOSITIVOS DE SEGURIDAD

⚠ ADVERTENCIA

NUNCA LLEVE NI TRANSPORTE EL ARMA MIENTRAS ESTÉ AMARTILLADA Y/O CARGADA. ES MEJOR AMARTILLAR EL ARMA SOLAMENTE INMEDIATAMENTE ANTES DE DISPARAR.



1. Seguro

Nota: Cuando el cargador **7** se encuentra fuera del arma, el gatillo se bloquea y el arma está en modo seguro.

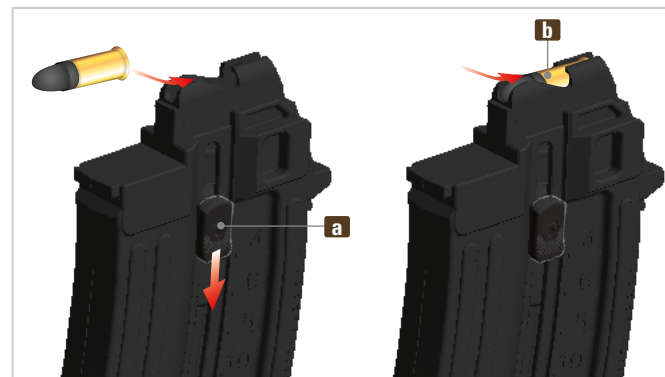
⚠ ADVERTENCIA

NO APUNTE EL ARMA A OBJETOS A LOS CUALES NO PIENSA DISPARAR. NO APUNTE NUNCA A PERSONAS O ANIMALES.

CARGAR EL CARGADOR

⚠ ADVERTENCIA

UTILICE PARA EL ARMA ÚNICAMENTE MUNICIÓN DE CALIDAD COMERCIAL, ENTREGADA EN SU EMBALAJE ORIGINAL Y CORRESPONDIENTE AL CALIBRE DEL ARMA. EL CALIBRE CORRECTO ESTÁ GRABADO EN EL ARMA. UTILICE PARA EL ARMA ÚNICAMENTE MUNICIONES DE CALIDAD COMERCIAL, FABRICADAS DE CONFORMIDAD CON LAS NORMAS CIP O SAAMI. NUNCA USE MUNICIONES NO NORMALIZADAS, RECONDICIONADAS/RECARGADAS O CARGADAS A MANO.



1. Tire el botón de alimentación **a** del cargador **7** hacia abajo **1** e inserte el cartucho **b** (como se muestra en la figura) hasta el tope trasero.

Nota: Cargue en el cargador solamente la cantidad de cartuchos que desee disparar (máx. 24/15*/10*/2* cartuchos).

MAUSER AK47 CAL. .22 LR HV



RIMFIRE

CARGAR EL ARMA

EN

DE

FR

ES

⚠ ADVERTENCIA

SIEMPRE MANTENGA EL ARMA ASEGURADA (CON EL SEGURO PUESTO), DESAMARTILLADA Y DESCARGADA HASTA QUE ESTÉ LISTO PARA DISPARAR.

⚠ ADVERTENCIA

- LA PALANCA DEL SEGURO SIEMPRE DEBE UBICARSE EN LA POSICIÓN "S" (SEGURO ACTIVADO). NUNCA CARGUE NI DESCARGUE EL ARMA DENTRO DE UN VEHÍCULO O EN OTRO ESPACIO CONFINADO (EXCEPTO EN UN CAMPO DE TIRO ADECUADO). ANTES DE CARGAR EL ARMA, LIMPIE LA GRASA Y EL ACEITE SOBANTES Y COMPRUEBE VISUALMENTE LA AUSENCIA DE MATERIAS O CUERPOS EXTRAÑOS EN EL CAÑÓN.
- MANTENGA LA BOCA DEL ARMA SIEMPRE ORIENTADA HACIA UNA DIRECCIÓN SEGURA.
- NO PONGA EL DEDO EN EL GATILLO, SINO QUE MANTÉNGALO FUERA DEL GUARDAMONTE.
- CARGUE EL ARMA SÓLO EN EL MOMENTO INMEDIATAMENTE PREVIO AL DISPARO, INSERTANDO EL CARGADOR.
- TIRE LA PALANCA DE AMARTILLADO HACIA ATRÁS PARA CARGAR EL PRIMER CARTUCHO. **NO CONFÍE NUNCA EXCLUSIVAMENTE EN LOS MECANISMOS DE SEGURIDAD DEL ARMA. LOS MECANISMOS DE SEGURIDAD NO PUEDEN NUNCA SUSTITUIR UN MANEJO CUIDADOSO Y CORRECTO DEL ARMA.**
- NUNCA DEJE UN ARMA CARGADA EN MANOS DE OTRA PERSONA.



1. Inserte el cargador cargado **7** y compruebe que esté completamente enclavado.



3. Tire la palanca de amartillado **8** hacia atrás hasta el tope, entonces hágala deslizar de nuevo hacia adelante. El arma está cargada y lista para disparar.



2. Ponga la palanca del seguro **1** en la posición „F” (Listo para disparar).



4. Ponga la palanca del seguro **1** en la posición "F" (seguro desactivado). El arma está cargada y amartillada, pero con el seguro.

MAUSER AK47 CAL. .22 LR HV



RIMFIRE

DISPARAR



1. Ponga la palanca del seguro **1** en la posición “F” (seguro desactivado). El arma está ahora desasegurada y lista para disparar. Apunte en una dirección segura y accione el gatillo **8**. **Nota:** Después del último disparo, el cerrojo es mantenido en posición abierta.

RECARGAR DURANTE EL TIRO

⚠ ADVERTENCIA

- COLOQUE LA PALANCA DEL SEGURO EN LA POSICIÓN “S” (SEGURO ACTIVADO).
- MANTENGA LA BOCA DEL ARMA SIEMPRE ORIENTADA HACIA UNA DIRECCIÓN SEGURA.
- RETIRE EL DEDO DEL GATILLO.



- Pulse el botón de retenida del cargador **10** para liberar el cargador y retire el cargador **7**.
- Inserte el cargador cargado y compruebe que está completamente enclavado.
- Tire la palanca de amartillado hacia atrás, entonces hágalo deslizar de nuevo hacia adelante.
- El arma está ahora recargada y amartillada.

⚠ ADVERTENCIA

- ¡EL ARMA DEBE SER UTILIZADA SÓLO CUANDO LA CULATA ESTÉ ENCAJADA Y DESPLEGADA!
- CERCÍOARSE DE QUE SUS DEDOS, MANOS U OTRAS PARTES DEL CUERPO NO SE ENCUENTREN DELANTE, POR ENCIMA O AL LADO DE LA BOCA DEL CAÑÓN O DE LA VENTANA DE EXPULSIÓN DE VAINAS (CASQUILLOS).
- NO PERMITA NUNCA QUE PERSONAS U OTROS SERES VIVOS SE ENCUENTREN SITUADOS EN UN LUGAR DONDE PODRÍAN RECIBIR EL IMPACTO DE LOS CASQUILLOS EXPULSADOS.
- AL DISPARAR, LLEVE SIEMPRE PUESTAS LAS PROTECCIONES AUDITIVAS (OREJERAS) Y LAS GAFAS DE PROTECCIÓN OCULAR (GAFAS DE TIRO). INFORME A LAS PERSONAS DE SUS PROXIMIDADES DE LA NECESIDAD DE TAMBIÉN LLEVAR PROTECCIÓN AUDITIVA (OREJERAS) Y OCULAR (GAFAS DE TIRO).
- INTERRUMPA LOS DISPAROS DE INMEDIATO Y DESCARGUE EL ARMA SI SOSPECHA QUE UN CARTUCHO NO HA SIDO ALIMENTADO CORRECTAMENTE, QUE UNA VAINA (UN CASQUILLO) SE HA ATASCADO, QUE UN PROYECTIL PODRÍA HABER BLOQUEADO EL CAÑÓN O SI UN DISPARO DA LA SENSACIÓN DE SER „DÉBIL“ O EXTRAÑO, O SUENA COMO SI LO FUERA.
- EN CASO DE QUE UN PROYECTIL SE ENCUENTRE ATASCADO EN EL CAÑÓN, NUNCA INTENTE RESOLVER EL PROBLEMA DE BLOQUEO EFECTUANDO OTRO DISPARO.

⚠ ATENCIÓN

AL DISPARAR, NO PONGA LA MANO LIBRE EN EL CARGADOR, PUESTO QUE ESTO PUEDE PROVOCAR FALLOS DE FUNCIONAMIENTO. SIEMPRE SUJETE EL ARMA POR EL GUARDAMANOS.

MAUSER AK47 CAL. .22 LR HV



RIMFIRE

DESCARGAR EL ARMA - CARGADOR NO VACÍO

EN

DE

FR

ES

ADVERTENCIA

NUNCA DEJE UN ARMA CARGADA EN MANOS DE OTRA PERSONA.

ADVERTENCIA

- CUANDO EL ARMA ESTÁ CARGADA, UN CARTUCHO SE ENCUENTRA EN LA RECÁMARA.
- NUNCA PONGA SU MANO POR ENCIMA DE LA VENTANA DE EXPULSIÓN DE CARTUCHOS.
- APUNTE LA BOCA DEL ARMA EN UNA DIRECCIÓN SEGURA.
- PONGA LA PALANCA DEL SEGURO EN LA POSICIÓN “S” (SEGURO ACTIVADO).



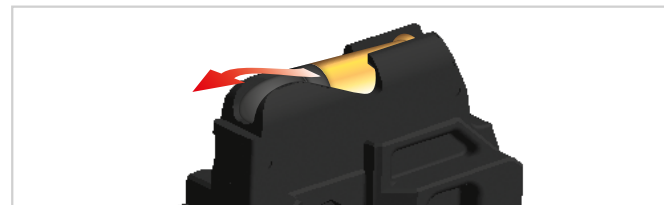
1. Active el seguro del arma **1** y pulse el botón de retenida del cargador **10** para retirar el cargador **7**.



2. Ponga la palanca del seguro **1** en la posición “F” (seguro desactivado). Tire la palanca de amartillado **8** hacia atrás hasta el tope para hacer expulsar el cartucho. Compruebe (visual y manualmente con dispositivos de ayuda adecuados) que el cartucho ha sido expulsado y asegúrese de que la recámara esté realmente vacía. Haga deslizar la palanca de amartillado de nuevo hacia adelante.

ADVERTENCIA

EL ARMA ESTÁ AHORA DESCARGADA, PERO NO DESAMARTILLADA.



3. Vacíe el cargador. Recoja el cartucho expulsado y limpie el arma.

MAUSER AK47 CAL. .22 LR HV



RIMFIRE

DESCARGAR EL ARMA - CARGADOR VACÍO



1. Active el seguro del arma **1** y pulse el botón de retenida del cargador **10** para retirar el cargador **7**. Después del último cartucho, la ventana de expulsión de vainas (casquillos) debe encontrarse en posición abierta. Compruebe (visual y manualmente con dispositivos de ayuda adecuados) que el cartucho ha sido expulsado y asegúrese de que la recámara esté realmente vacía.

ADVERTENCIA

EL ARMA ESTÁ AHORA DESCARGADA, PERO NO DESAMARTILLADA.

DESAMARTILLAR EL ARMA

ADVERTENCIA

COMPRUEBE QUE NINGÚN CARTUCHO SE HAYA QUEDADO EN EL CAÑÓN O EN LA RECÁMARA DE CARTUCHOS.

Desamartillar:

1. Retire el cargador vacío.
2. Tire la palanca de amartillado hacia atrás, entonces hágala deslizar de nuevo hacia adelante. Al mismo tiempo, el cerrojo debe saltar de nuevo hacia adelante de modo que la ventana de expulsión de vainas (casquillos) pueda cerrarse.
3. Inserte un cargador **vacío**.
4. Ponga la palanca del seguro en la posición "F" (arma lista para disparar), apunte el arma en una dirección segura y accione el gatillo.

ATENCIÓN

ACCIONE EL GATILLO SÓLO CUANDO UN CARGADOR VACÍO ESTÉ INSERTADO Y A CONDICIÓN DE QUE NINGÚN CARTUCHO SE HAYA QUEDADO EN LA RECÁMARA DE CARTUCHOS.

5. El percutor salta hacia adelante, el arma está ahora desamartillada.
6. Desplace la palanca del seguro hacia la posición "S" (seguro activado) y retire el cargador vacío.

ADVERTENCIA

SI, DESPUÉS DE ESTE PROCEDIMIENTO, USTED MUEVE LA PALANCA DE AMARTILLADO HACIA ATRÁS, EL ARMA SE REAMARTILLA, LO QUE SIGNIFICA QUE ; EL ARMA ESTÁ DE NUEVO LISTA PARA DISPARAR!

MAUSER AK47 CAL. .22 LR HV



RIMFIRE

EN

DE

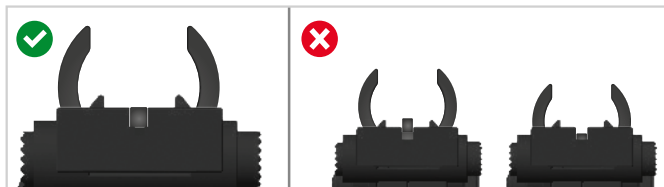
FR

ES

MIRAS

ADVERTENCIA

NO APUNTE EL ARMA A OBJETOS A LOS CUALES NO PIENSA DISPARAR. NO APUNTE NUNCA A PERSONAS O ANIMALES.



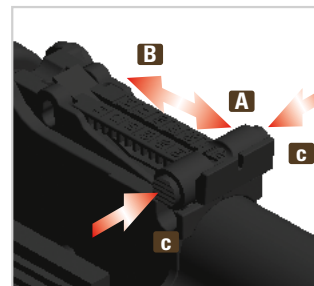
1. Apuntar

AJUSTAR LAS MIRAS

ADVERTENCIA

ANTES DE PROCEDER A CUALQUIER AJUSTE, SIEMPRE PONGA LA PALANCA DE AMARTILLADO EN LA POSICIÓN "S" (SEGURO ACTIVADO) Y APUNTE LA BOCA DEL ARMA EN UNA DIRECCIÓN SEGURA.

AJUSTAR LAS MIRAS

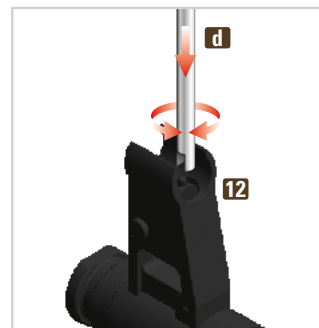


2. Ajuste en elevación (arriba-abajo / mira trasera):

Presione los botones de bloqueo **C** y ajuste la mira trasera con ayuda del dispositivo de enclavamiento.

Si el punto de impacto es demasiado alto: Desplazar el dispositivo de enclavamiento hacia **A**.

Si el punto de impacto es demasiado bajo: Desplazar el dispositivo de enclavamiento hacia **A**.



5. Ajuste en elevación (arriba-abajo / Punto de mira):

Si el punto de impacto es demasiado alto: Girar el punto de mira **12** con ayuda de la herramienta multiusos **11** en sentido antihorario para ajustar el punto de mira hacia arriba.

Si el punto de impacto es demasiado bajo: Girar el punto de mira **12** con ayuda de la herramienta multiusos **11** en sentido horario para ajustar el punto de mira hacia abajo.

MAUSER AK47 CAL. .22 LR HV



RIMFIRE

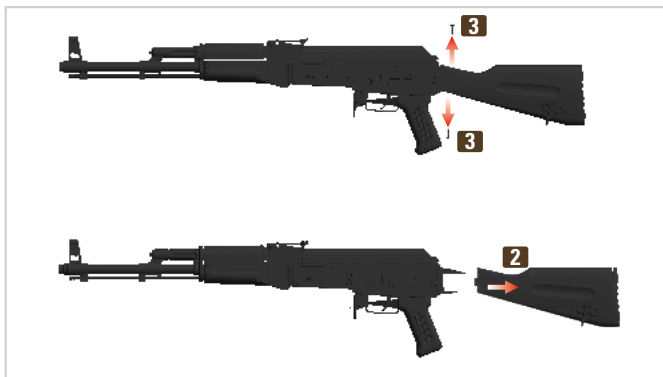
MANTENIMIENTO DESMONTAR EL ARMA PARA LIMPIEZA

⚠ ADVERTENCIA

- PONGA LA PALANCA DEL SEGURO EN LA POSICIÓN "S" (SEGURO ACTIVADO).
- SIEMPRE MANTENGA EL ARMA APUNTADA EN UNA DIRECCIÓN SEGURA.
- RETIRE EL DEDO DEL GATILLO.
- ASEGÚRESE DE QUE LA RECÁMARA DE CARTUCHOS ESTÉ VACÍA.
- VERIFIQUE QUE EL ARMA ESTÉ DESCARGADA Y DESAMARTILLADA.

1. Desmontaje de la culata

Sólo modelo Mauser AK47



a. Retire los tornillos de la culata **3** y desmonte la culata **2** tirando de ella hacia atrás.

1. Desmontaje de la culata

Sólo modelo Mauser AK47 Omega



a. Tire del pasador articulado **5** hacia arriba para extraer el adaptador de la culata **15**.



b. Presione el botón de retención **6** y extraiga la culata **4** plegable hacia atrás.

MAUSER AK47 CAL. .22 LR HV



RIMFIRE

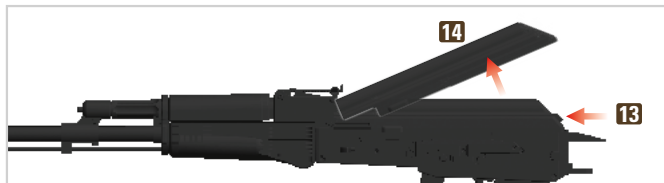
MANTENIMIENTO DESMONTAR EL ARMA PARA LIMPIEZA

EN

DE

FR

ES



2. Presione el botón de bloqueo **13** y levante la cubierta **14**.



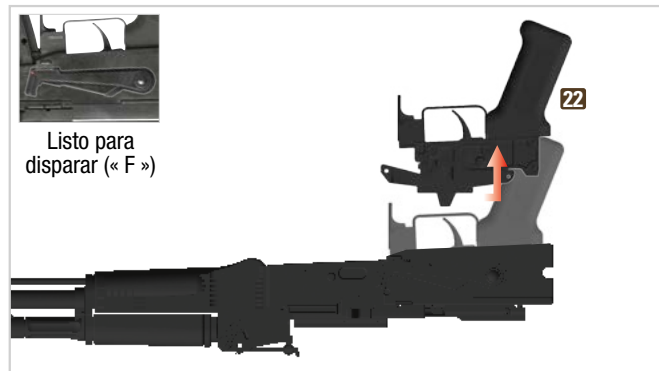
3. Suelte y retire el tornillo **16** / **18** y el adaptador de la culata **15** / **17**.



4. Desmonte el resorte **19** y el botón de bloqueo **13**.



5. Retire el tornillo **20** con la herramienta multiusos. A continuación, tire del adaptador **21** hacia arriba para extraerlo del arma.



6. Gire el arma 180° y coloque la palanca del seguro **1** en la posición F (lista para disparar). Tire de la empuñadura **22** ligeramente hacia atrás y llévela hacia arriba.



7. Gire de nuevo el sistema y tire de la carcasa de cierre **23** hacia atrás.

MAUSER AK47 CAL. .22 LR HV



RIMFIRE

MANTENIMIENTO - LIMPIEZA

⚠ ATENCIÓN

- NO DESMONTE EL ARMA MÁS ALLÁ DE LO INDICADO EN ESTE MANUAL DE INSTRUCCIONES – LA LIMPIEZA PUEDE HACERSE SIN DESMONTAJE ADICIONAL. CUALQUIER DESMONTAJE ADICIONAL DEBERÁ SER REALIZADO EXCLUSIVAMENTE POR UN PERSONAL CALIFICADO.
- NUNCA UTILICE CEPILLOS DE ACERO NI OTROS OBJETOS DUROS O ABRASIVOS PARA LIMPIAR EL CAÑÓN U OTRAS PARTES METÁLICAS DEL ARMA, YA QUE ÉSTOS PUEDEN DAÑAR LA SUPERFICIE INTERIOR DEL CAÑÓN. SÓLO UTILICE VARILLAS DE LIMPIEZA Y CEPILLOS ADECUADOS PARA EL CALIBRE DEL ARMA.
- LOS DISOLVENTES PUEDEN DAÑAR LA SUPERFICIE DEL ARMA. ANTES DE UTILIZAR UN DETERGENTE O DISOLVENTE, OBSÉRVESE LAS INDICACIONES Y ADVERTENCIAS DEL FABRICANTE.

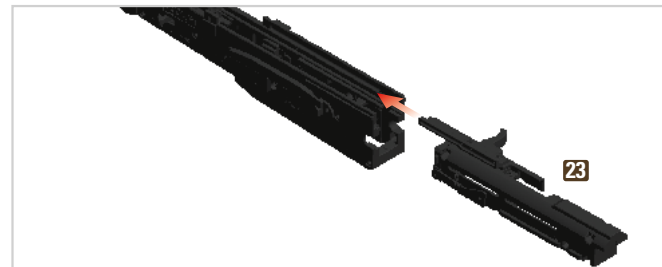
Pasos a seguir para la limpieza:

Humedezca un cepillo de limpieza adecuado con aceite para armas e insértelo en el cañón a través de la recámara. Con el cepillo elimine cuidadosamente los residuos de pólvora y la suciedad del cañón y de la recámara.

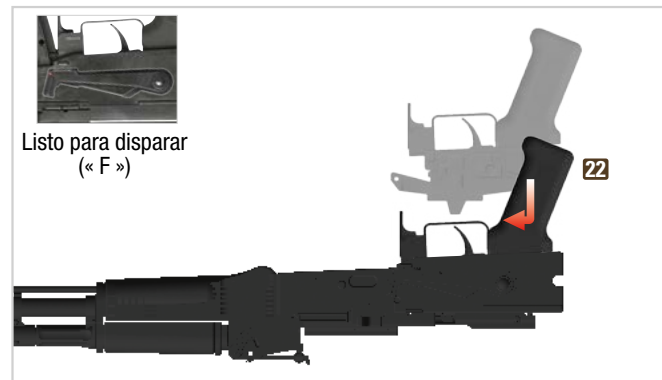
Use parches de limpieza para quitar el aceite y los residuos de pólvora del interior (alma) del cañón y de la recámara de cartuchos.

Lubrique ligeramente el interior de la recámara.

MANTENIMIENTO REMONTAJE DESPUÉS DE LA LIMPIEZA



8. Introduzca de nuevo la carcasa de cierre **23** como se ilustra en la imagen.



Listo para disparar
(« F »)

9. Gire el arma 180° y asegúrese de colocar la palanca del seguro **1** en la posición F (lista para disparar). Coloque la empuñadura **22** de nuevo en el arma y gírela 180°.

MAUSER AK47 CAL. .22 LR HV



RIMFIRE

EN

DE

FR

ES

MANTENIMIENTO

REMONTAJE DESPUÉS DE LA LIMPIEZA



10. Encaje el adaptador **21** desde arriba para introducirlo en el arma y fíjelo con el tornillo **20**.



11. Vuelva a introducir el resorte **19** y el botón de bloqueo **13** en el arma.



Modelo AK47 Omega



Modelo AK47

12. Coloque el adaptador de la culata **15** / **17** y fíjelo con el tornillo **16** / **18**.



13. Coloque la cubierta **14** para que encaje el botón de bloqueo **13**.

MANTENIMIENTO

REMONTAJE DESPUÉS DE LA LIMPIEZA

Sólo modelo Mauser AK47



14. Coloque la culata **2** en el arma como se indica en la imagen.



15. Fije la culata con ayuda de los tornillos de la culata **3**.

Sólo modelo Mauser AK47 Omega:



16. Coloque la culata **4** en el arma como se indica en la imagen y fíjela con el pasador **5** articulado.

MAUSER AK47 CAL. .22 LR HV



RIMFIRE

CUIDADO DEL ARMA

⚠ ATENCIÓN

- PRESTE SIEMPRE ATENCIÓN EN QUE EL ARMA ESTÉ SIEMPRE EN PERFECTAS CONDICIONES Y QUE SE ENCUENTRE EN ESTADO PLENAMENTE FUNCIONAL.
- LIMPIE EL ARMA DESPUÉS DE CADA UTILIZACIÓN.
- NUNCA MODIFIQUE NI REPARE USTED MISMO LAS PIEZAS DEL ARMA.
- UNA VEZ POR AÑO, LLEVE EL ARMA A UN ARMERO CALIFICADO PARA QUE LA REVISE, YA QUE LOS DEFECTOS, EL DESGASTE, LA CORROSIÓN, ETC. NO SIEMPRE SE DETECTAN A SIMPLE VISTA.
- NO OBSTANTE, PARA LOS TRABAJOS DE MANTENIMIENTO Y REPARACIONES RECOMENDAMOS QUE ENVÍE EL ARMA A SU DISTRIBUIDOR, PUESTO QUE ÉSTE SIEMPRE TENDRÁ EN STOCK UN SURTIDO COMPLETO DE PIEZAS DE REPUESTO.

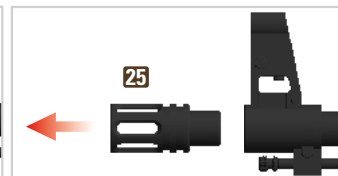
FRENO/TUERCA DE LA BOCA

⚠ ADVERTENCIA

- PONGA LA PALANCA DEL SEGURO EN LA POSICIÓN "S" (SEGURO ACTIVADO).
- SIEMPRE MANTENGA EL ARMA APUNTADA EN UNA DIRECCIÓN SEGURA.
- RETIRE EL DEDO DEL GATILLO.
- ASEGÚRESE DE QUE LA RECÁMARA DE CARTUCHOS ESTÉ VACÍA.
- VERIFIQUE QUE EL ARMA ESTÉ DESCARGADA Y DESAMARTILLADA.



Tuerca de la boca (modelo AK47): Retire la tuerca de la boca **24** con una llave de boca SW 17 adecuada. Instale ahora el accesorio opcional (p. ej., freno de boca).



Freno de boca (modelo AK47 Omega): Enrosque el freno de boca **25** en el arma. Instale ahora el accesorio opcional (p. ej., tuerca de boca).

⚠ ADVERTENCIA

NUNCA DISPARE EL ARMA SIN LA TUERCA/FRENO DE BOCA CORRECTAMENTE MONTADOS O SIN LOS ACCESORIOS COMPATIBLES CORRECTAMENTE MONTADOS.

MAUSER AK47

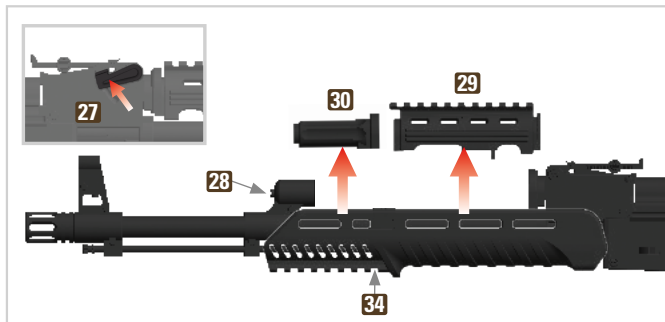
CAL. .22 LR HV



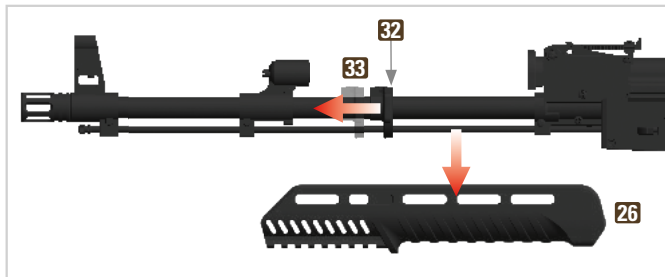
RIMFIRE

DESMONTAR LOS GUARDAMANOS

Sólo modelo Mauser AK47 Omega



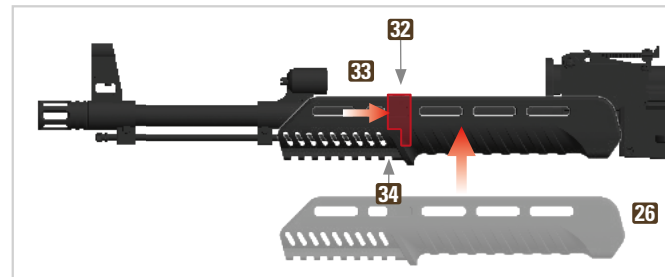
1. Gire la palanca de retención **27** hacia el lado derecho y hacia arriba. Suelte el tornillo de fijación **28** y desmonte los guardamanos **29** y **30**. Suelte el tornillo de fijación **34**.



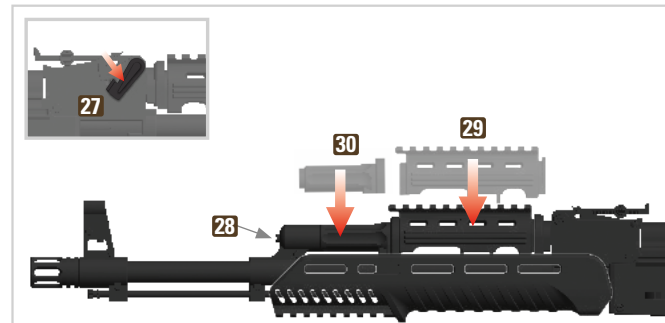
2. Suelte el tornillo de fijación **32**, deslice el soporte de retención **33** hacia adelante y desmonte el guardamanos inferior **26**.

MONTAR LOS GUARDAMANOS

Sólo modelo Mauser AK47 Omega



1. Vuelva a colocar el guardamanos inferior **26**, deslice el soporte de retención **33** en el guardamanos y apriete de nuevo el tornillo de fijación **28** y el tornillo de fijación **34**.



2. Coloque los guardamanos **30** y **29** juntos y gire la palanca de retención **27** de nuevo hacia abajo. A continuación, apriete el tornillo de fijación **23**.

EN

DE

FR

ES

MAUSER AK47

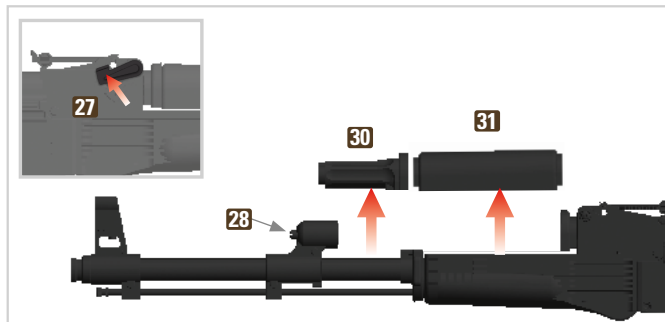
CAL. .22 LR HV



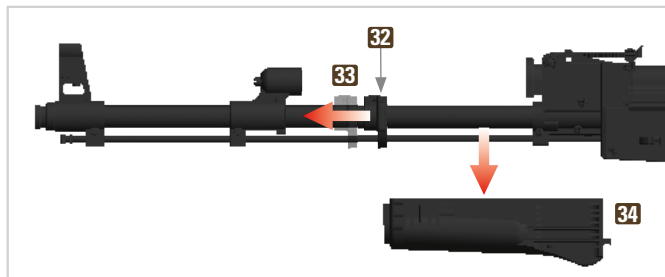
RIMFIRE

DESMONTAR LOS GUARDAMANOS

Sólo modelo Mauser AK47



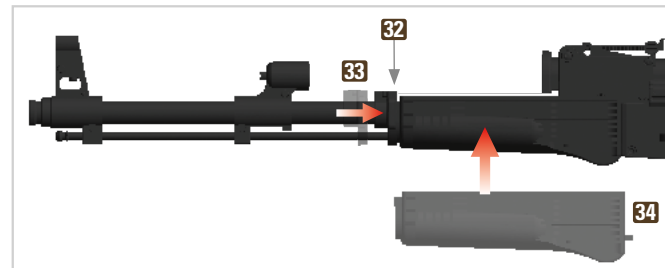
1. Gire la palanca de retención **27** hacia el lado derecho y hacia arriba. Suelte el tornillo de fijación **28** y desmonte los guardamanos **31** y **30**.



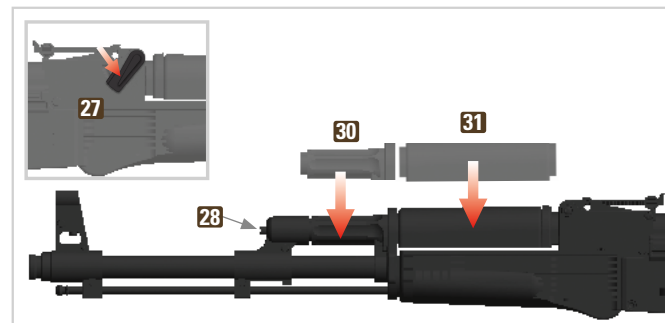
2. Suelte el tornillo de fijación **32**, deslice el soporte de retención **33** hacia adelante y desmonte el guardamanos inferior **34**.

MONTAR LOS GUARDAMANOS

Sólo modelo Mauser AK47



1. Vuelva a colocar el guardamanos inferior **34**, deslice el soporte de retención **33** en el guardamanos y apriete de nuevo el tornillo de fijación **28**.



2. Coloque los guardamanos **30** y **31** juntos y gire la palanca de retención **27** de nuevo hacia abajo. A continuación, apriete el tornillo de fijación **28**.

MAUSER AK47 CAL. .22 LR HV



RIMFIRE

SOLUCIÓN DE PROBLEMAS Y ELIMINACIÓN DE FALLOS

EN

DE

FR

ES

⚠️ ATENCIÓN

EL MANTENIMIENTO DEL ARMA (LIMPIEZA Y REVISIÓN) SEGÚN LAS INDICACIONES PUEDE PREVENIR FALLOS DE FUNCIONAMIENTO. SIN EMBARGO, EN CASO DE QUE SURGIERA UN FALLO FUNCIONAL AL DISPARAR, PROCEDA DE LA SIGUIENTE MANERA :

⚠️ ADVERTENCIA

- PONGA LA PALANCA DEL SEGURO EN LA POSICIÓN “S” (SEGURO ACTIVADO).
- APUNTE EL ARMA EN UNA DIRECCIÓN SEGURA Y MANTENGA LOS DEDOS ALEJADOS DEL GATILLO MIENTRAS EJECUTA LAS ACCIONES QUE SE DESCRIBEN A CONTINUACIÓN:



1. Pulse el botón de retención del cargador **10** para retirar el cargador **7**.



2. Active el seguro del arma **1**. Tire la palanca de amartillado **8** hacia atrás hasta el tope y manténgala en esta posición.
3. Retire todos los cartuchos, todas las vainas (casquillos) y cualquier cuerpo extraño.



4. Compruebe (visualmente o con una herramienta), que no haya ningún proyectil, cartucho, casquillo o cuerpo extraño en el interior (alma) del cañón o en la recámara de cartuchos.
5. Si hay un proyectil atascado en el interior (alma) del cañón, desmonte el arma y encargue a un armero para que elimine el bloqueo con las herramientas apropiadas.
6. Limpie y lubrifique el arma y móntela de nuevo.
7. Haga revisar el arma por un armero o un mecánico de armas.

MAUSER AK47 CAL. .22 LR HV



CONSERVACIÓN, ALMACENAMIENTO SEGURO Y TRANSPORTE DEL ARMA

CONSERVACIÓN Y ALMACENAMIENTO

ADVERTENCIA

- CONSERVE EL ARMA SIEMPRE DESCARGADA Y EN ESTADO LIMPIO.
- ALMACENE EL ARMA SIEMPRE SEPARADA DE LA MUNICIÓN Y BAJO LLAVE.
- EL ARMA Y LA MUNICIÓN NO DEBEN RESULTAR ACCESIBLES PARA NIÑOS, NI PARA PERSONAS INEXPERTAS O NO AUTORIZADAS.
- ASEGÚRESE DE CUMPLIR LA LEGISLACIÓN VIGENTE EN MATERIA DE ALMACENAMIENTO DE ARMAS DE FUEGO .

TRANSPORTE

ADVERTENCIA

- POR SU PROPIA SEGURIDAD Y LA SEGURIDAD DE OTROS, TRANSPORTE SIEMPRE EL ARMA DESCARGADA Y DESAMARTILLADA.
- NO LLEVE NUNCA CONSIGO UN ARMA YA AMARTILLADA QUE CONTIENE UN CARTUCHO EN LA RECÁMARA.
- TRANSPORTE EL ARMA SEPARADA DE LA MUNICIÓN.
- ASEGÚRESE DE CUMPLIR LA LEGISLACIÓN VIGENTE EN MATERIA DE TRANSPORTE DE ARMAS DE FUEGO .

GARANTÍA

En caso de reclamación de garantía, póngase en contacto con su distribuidor especializado. Descríbale el problema y adjunte el comprobante de compra .

ELIMINACIÓN

Cumpla rigurosamente con todas las disposiciones legales nacionales en materia de eliminación de armas de fuego.

ACCESORIOS

Si usted desea pedir accesorios para el arma, sírvase visitar el sitio web www.germansportguns.de

En caso de consulta o pedido, sírvase proporcionar las informaciones siguientes:

- Modelo del arma (calibre, denominación)
- Número de serie del arma
- Número de artículo/pieza

Las informaciones contenidas en este manual están sujetas a cambio sin previo aviso. Visite nuestro sitio web www.germansportguns.de para obtener la más reciente versión descargable del manual y para aprender más detalles sobre GSG y su modelo.

MAUSER AK47 CAL. .22 LR HV



MAUSER AK47 CAL. .22 LR HV





Service & Distributor USA

Blue Line Solutions USA
Ferndale, Washington

Phone: +1-360-778-2052
info@blueline.global
www.blueline.global

Service & Distributor Canada

Blue Line Solutions Canada
Vancouver BC

Phone: +1-604-428-2583
info@blsolutions.ca
www.blsolutions.ca



GERMAN SPORT GUNS

Hersteller

German Sport Guns GmbH
Auf den Geeren 23
D-59469 Ense-Höingen

Telefon: +49 (0)2938 97839-0

www.germansportguns.de
info@germansportguns.de

