



GERMAN SPORT GUNS

GSG-16 CAL. .22



Version 02/2019

EN Instructions for Use
DE Gebrauchsanleitung

EN Mode d'emploi
ES Instrucciones de Uso

**MADE IN
GERMANY**

www.germansportguns.de

INTRODUCTION

EN

DE

FR

ES



SAFETY INSTRUCTIONS _____ 2-3



DESCRIPTION _____ 4-5, 20-23



TECHNICAL DATA _____ 6



HANDLING & OPERATION _____ 7-13



CARE & MAINTENANCE _____ 14-17



WARNING

EYE PROTECTION IS REQUIRED!
WEAR APPROPRIATE SAFETY GLASSES (SHOOTING GLASSES)!



SAFETY INSTRUCTIONS



WARNING

FAILURE TO FOLLOW THE INSTRUCTIONS AND RECOMMENDATIONS IN THIS MANUAL MAY RESULT IN SEVERE BODILY INJURY (INCLUDING FACE INJURY, EYE INJURY, EAR INJURY, BLINDNESS, DEAFNESS) AND EVEN DEATH.

- Never use the gun under the influence of drugs or alcohol, while ill or suffering other such difficulties. These conditions can impair your powers of judgement and reflexes.
- Before using the gun, make sure you have fully understood all of the functions and are aware of any dangers that may result from not adhering to them.
- Always assume that the gun is loaded and that its safety is disengaged, until you have established the opposite
- Always keep the muzzle of the gun in a safe direction while handling the gun. A safe direction is towards an area where there are no people (including yourself) or animals or any items that are not a recognized target.
- Never point the gun at doors, panes of glass, walls, concrete, stone or flat surfaces (including water). A bullet can penetrate such surfaces or be ricocheted in an unsafe direction.
- Never rely on safety mechanisms alone and always treat your gun as if the safety mechanisms were not functioning. Safety mechanisms are not a substitute for careful, correct and secure handling of the gun.
- Never shoot with a gun which is obstructed by water, sand, dirt or other foreign debris.

SAFETY INSTRUCTIONS

- Never lay away a loaded gun and always unload the gun immediately after firing, before you put the gun away, place it in a gun case or holster or hand it to another authorized person.
- Never store the gun loaded, but rather remove the magazine and ensure that no cartridge is left in the chamber of the barrel.
- Never give the gun to a person who has not thoroughly familiarized himself or herself with the safety instructions and handling of the gun by reading the instruction manual.
- Never leave the gun unattended, and protect the gun from unauthorized access.
- Always store the gun and the ammunition separate from one another and ensure that neither is obtained by unauthorized persons or children.
- Never rest or put your finger inside of the trigger guard except when shooting.
- Always make sure you have a proper backstop when shooting and do not aim at the sky.
- Make sure you and everyone around you uses ear protection and safety glasses.
- When shooting in enclosed shooting ranges, always make sure that you have adequate ventilation.
- Never try to cross obstacles, rivers, fences or anything similar with a loaded gun.
- Keep your fingers away from moveable parts such as the exposed part of the bolt inside the ejection port and loading handle as well as the muzzle.
- Only use commercial-grade ammunition that is manufactured in accordance to CIP or SAAMI Standards. Never use non-standard, refurbished or handloaded ammunition.
- Do not shoot any ammunition that came deformed straight out of the packaging or was deformed during a malfunction in your gun.
- Stop shooting and unload the gun if you notice any kind of malfunction (e.g. a jam).
- Squib loads will be noticed by an unusual light or non existing recoil and/or low or no muzzle blast. In those cases end shooting immediately until the gun has been checked and its barrel cleared by a professional gunsmith or armorer. Never ever try to shoot a stuck bullet by using another round!
- In case of a misfire wait at least a minute while pointing the rifle down range or in a safe direction before you unload the gun.

WARNING

DO NOT DISCHARGE THIS FIREARM WITHOUT ITS STOCK! THIS FIREARM WAS DESIGNED TO BE FIRED WITH THE STOCK ATTACHED, EITHER IN THE FULLY EXTENDED, OR FOLDED POSITION. THE STOCK MAY ONLY BE REMOVED FOR THE PURPOSE OF CLEANING, OR REPAIRS, AND MUST BE PROPERLY REATTACHED BEFORE USAGE. DISCHARGE OF THE FIREARM WITH THE STOCK REMOVED MAY RESULT IN RISK OF INJURY OR DEATH. IN THE EVENT OF SUCH AN OCCURRENCE, THE MANUFACTURER WILL ACCEPT NO LIABILITY WHATSOEVER. ANY MODIFICATION OF THIS FIREARM'S CURRENT CONFIGURATION WILL VOID THE WARRANTY AND RELIEVE THE MANUFACTURER AND THE IMPORTER OF ANY LIABILITY.

GSG-16 CAL. .22



MAIN PARTS

EN

DE

FR

ES

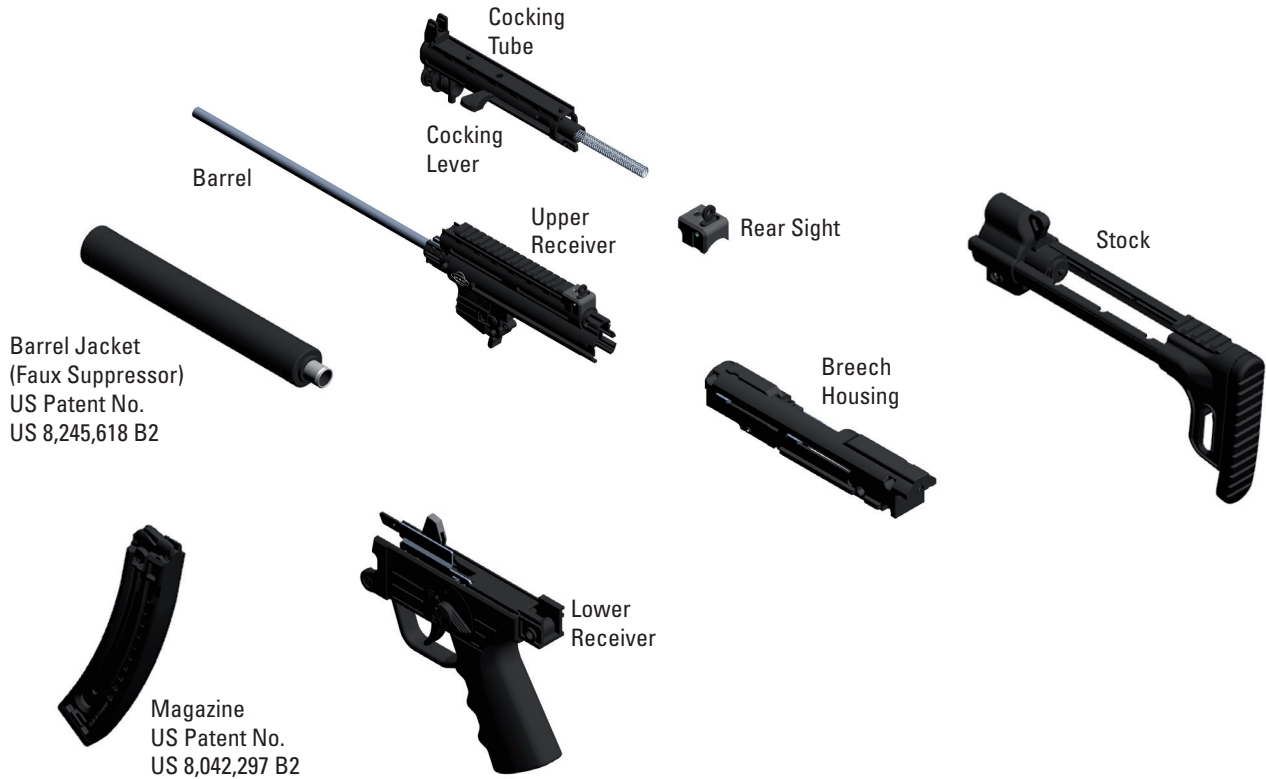


* Magazine not included

GSG-16 CAL. .22



ASSEMBLY GROUPS



GSG-16 CAL. .22

TECHNICAL DATA

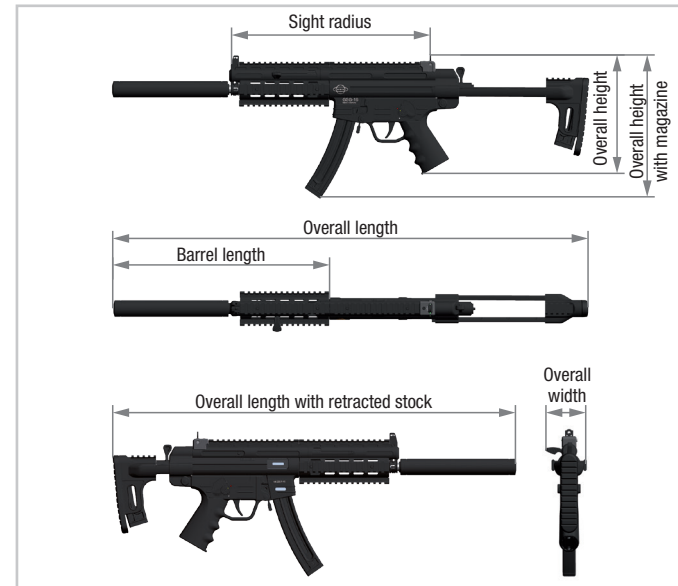
EN

DE

FR

ES

Caliber	.22 Long Rifle HV
Overall length	34.18 inch
Overall length with retracted stock	28.56 inch
Overall height with magazine	10.32 inch
Overall height without magazine	8.59 inch
Overall width	2.86 inch
Barrel length	16.29 inch
Rifling length	15.98 inch
Number of grooves	6
Sight radius	14.12 inch
Weight with empty magazine	5.84 lbs.
Weight without magazine	5.62 lbs.
Magazine weight empty	4 oz
Trigger pull	5.50 lbs.
Magazine capacity / rounds	22/10*



*optional

GSG-16 CAL. .22

SAFETY MECHANISM

WARNING

ALWAYS KEEP THE GUN UNCOCKED AND UNLOADED WITH SAFETY ENGAGED "S" UNTIL YOU ARE READY TO SHOOT.



1. Safety Lever

Note: If you remove the magazine, the trigger is blocked.

CAUTION

AN INSIDE SAFETY PIN IS LOCATED IN FRONT OF THE FIRING PIN IN ORDER TO AVOID THAT THE FIRING PIN HITS THE CARTRIDGE. WHEN PULLING THE TRIGGER, THE SAFETY PIN MOVES OUT OF THE WAY AND RELEASES THE FIRING PIN.

WARNING

NEVER POINT THE GUN AT ANYTHING YOU DO NOT INTEND TO SHOOT.
NEVER POINT A GUN AT PEOPLE OR ANIMALS.

LOADING THE MAGAZINE

WARNING

FOR YOUR GUN, USE ONLY COMMERCIAL-GRADE AMMUNITION (MANUFACTURED TO CIP OR SAAMI STANDARDS) IN ITS ORIGINAL PACKAGING WHICH CORRESPONDS WITH THE CALIBER OF THE GUN. THE CORRECT CALIBER IS PRINTED ON THE GUN. NEVER USE NON-STANDARD, REFURBISHED OR HANDLOADED AMMUNITION.



1. Pull down the feeder taps **1** of the magazine and insert the cartridge **2** into the magazine (push it to the back stop of the magazine as shown).

Note: Load only the quantity of cartridges into the magazine you want to fire (max. 22 cartridges / 10* cartridges).

GSG-16 CAL. .22



LOADING THE GUN

EN

DE

FR

ES

WARNING

ALWAYS KEEP THE GUN UNCOCKED AND UNLOADED WITH SAFETY ENGAGED "S" UNTIL YOU ARE READY TO SHOOT.

WARNING

- THE SAFETY LEVER SHOULD ALWAYS BE IN THE POSITION "S" (SAFETY ENGAGED). NEVER LOAD OR RELOAD THE GUN IN A VEHICLE, A ROOM OR ANOTHER SMALL AREA (EXCEPT A PROPER SHOOTING RANGE). BEFORE LOADING, ALWAYS WIPE OFF ANY EXCESS GREASE AND OIL AND CHECK TO SEE IF THERE ARE ANY FOREIGN OBJECTS/MATERIAL IN THE BARREL.
- ALWAYS KEEP THE MUZZLE OF THE GUN POINTED IN A **SAFE DIRECTION**.
- DO NOT PUT YOUR FINGER ON THE TRIGGER. KEEP YOUR FINGER OUTSIDE THE TRIGGER GUARD. LOAD THE GUN BY PUSHING IN THE MAGAZINE ONLY DIRECTLY BEFORE FIRING.
- PULL THE COCKING LEVER BACK TO LOAD THE FIRST CARTRIDGE. **NEVER RELY ON THE SAFETY MECHANISMS ALONE.**
SAFETY MECHANISMS ARE NO SUBSTITUTE FOR CAREFUL AND CORRECT HANDLING OF THE GUN.
- NEVER LET A LOADED GUN OUT OF YOUR HANDS.



1. Insert the loaded magazine 1 as shown until it is fully engaged.



2. Pull the cocking lever 2 back until it stops and allow it to slide forward.

GSG-16 CAL. .22

FIRING



1. Put the safety lever in the “Fire” position “F”. To begin shooting, aim at a safe target and pull on trigger 1.

Note: The breech bolt is held in the open position after the last shot.

RELOAD DURING FIRING

WARNING

- PUT THE SAFETY LEVER IN THE POSITION “S”.
- KEEP THE GUN POINTED IN A SAFE DIRECTION.
- REMOVE THE FINGER FROM THE TRIGGER.



- Press the magazine release button 1 and remove the magazine from the gun.
- Insert the loaded magazine until it is fully engaged.
- Pull the cocking lever back until it stops and allow it to slide forward.
- The rifle is reloaded and cocked.

WARNING

- DO NOT DISCHARGE THE GUN WITHOUT STOCK ASSEMBLED TO THE RIFLE.
- BE CERTAIN THAT YOUR FINGERS, HANDS OR OTHER PARTS OF THE BODY ARE NOT IN FRONT OF, ABOVE OR BESIDE THE BARREL MUZZLE OR THE EJECTION PORT DURING FIRING.
- NEVER ALLOW ANY PERSON OR ANIMAL TO STAND NEXT TO YOU WHERE THEY COULD BE HIT BY EJECTED CARTRIDGE CASES.
- WHEN SHOOTING, ALWAYS WEAR EAR PROTECTION AND PROTECTIVE EYE GLASSES. INFORM OTHER PEOPLE CLOSE TO YOU THAT THEY, TOO, NEED TO WEAR EYE AND EAR PROTECTION.
- INTERRUPT SHOOTING IMMEDIATELY AND UNLOAD THE GUN IF YOU SUSPECT THAT A CARTRIDGE IS NOT INSERTED CORRECTLY, A CASE IS JAMMED, A BULLET MAY HAVE BLOCKED THE BARREL OR A SHOT SOUNDS OR GIVES THE SENSATION THAT IT MAY BE “WEAK” OR UNUSUAL.
- NEVER TRY TO SHOOT OUT A STUCK BULLET BY FIRING ANOTHER ONE “ON TOP”.

CAUTION

WHILE SHOOTING, NEVER HOLD THE GUN BY THE MAGAZINE, THIS MAY CAUSE MALFUNCTIONS. USE THE HANDGUARD TO HOLD THE GUN.

GSG-16 CAL. .22

UNLOADING THE GUN - MAGAZINE NOT EMPTY

EN

WARNING

NEVER LET THE GUN OUT OF YOUR HANDS BEFORE IT IS UNLOADED.

DE

FR

WARNING

- WHEN THE GUN IS LOADED, A CARTRIDGE IS IN THE CHAMBER.
- NEVER PLACE YOUR HAND OVER THE EJECTION PORT.
- KEEP THE MUZZLE OF THE GUN IN A SAFE DIRECTION.
- PUT THE SAFETY LEVER IN THE "S" POSITION.

ES



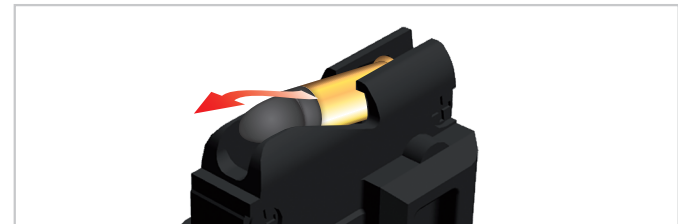
1. Engage the Safety and press the magazine release button **1** to remove the magazine.



2. Pull the cocking lever back until it stops. Hold it in this position to allow the cartridge to be ejected. Check (visually and manually with appropriate aid) to ensure that the cartridge has been ejected and the chamber is empty. Allow the cocking lever to slide back forward.

WARNING

THE GUN IS NOW UNLOADED, BUT NOT DECOCKED!



3. Empty the magazine. Pick up the ejected cartridge and clean the gun.

GSG-16 CAL. .22

UNLOADING THE GUN - MAGAZINE EMPTY



1. Engage the safety and press the magazine release button **1** to remove the magazine. The ejection port must be open after the last round. Check (visually and manually with appropriate aid) to ensure that the cartridge has been ejected and the chamber is empty.

WARNING

THE GUN IS NOW UNLOADED, BUT NOT DECOCKED!

DECOCKING THE GUN

WARNING

ENSURE THAT THERE IS NO CARTRIDGE IN THE BARREL OR IN THE CHAMBER.

Decocking:

1. Remove the empty magazine.
2. Pull the cocking lever back and allow it to slide forward. The slide must move forward at the same time so that the ejection port closes.
3. Insert an **empty** magazine.
4. Turn the safety lever in position “F”, point the gun in a safe direction and pull the trigger.

CAUTION

PULL THE TRIGGER ONLY WHEN AN EMPTY MAGAZINE IS INSERTED AND WHEN NO CARTRIDGE HAS BEEN LEFT IN THE CHAMBER.

5. The hammer strikes forward, the rifle is now decocked.
6. Turn the safety lever in position “S” and take out the empty magazine.

WARNING

WHEN YOU PUSH BACK THE COCKING LEVER AFTER THIS PROCEDURE, IT WILL GO BACK TO THE COCKED POSITION, AND THE GUN WILL BE READY TO FIRE AGAIN!

SIGHTS

EN

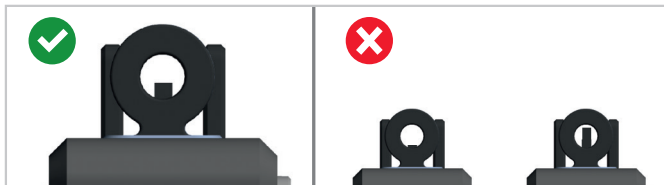
DE

FR

ES

WARNING

NEVER POINT THE GUN AT ANYTHING YOU DO NOT INTEND TO SHOOT.
NEVER POINT A GUN AT PEOPLE OR ANIMALS.

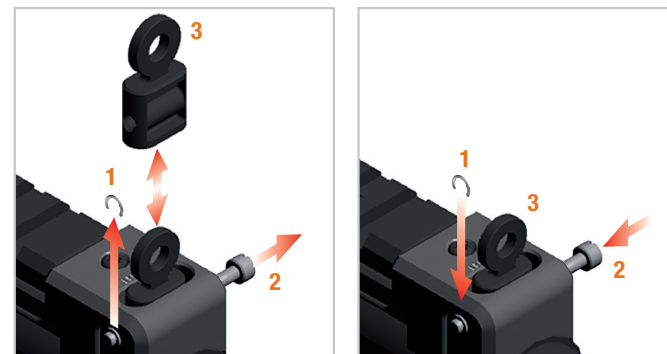
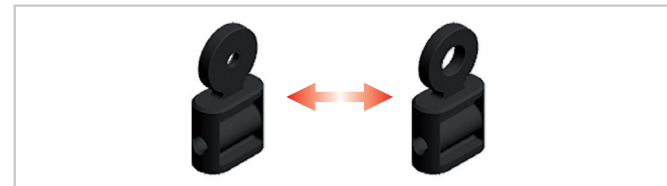


1. Aiming

SIGHT ADJUSTMENT

WARNING

ALWAYS PUT THE SAFETY LEVER IN THE "S" POSITION AND KEEP THE MUZZLE OF THE GUN POINTED IN A SAFE DIRECTION WHEN PERFORMING ADJUSTMENTS ON THE GUN.



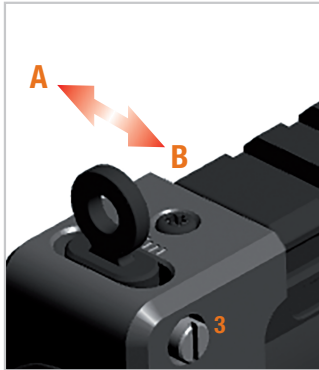
2. Change rear sight: Remove the locking washer **1** and the sight screw **2**. Change the rear sight **3** and fix it by means of the sight screw and the locking washer.

STOCK ADJUSTMENT



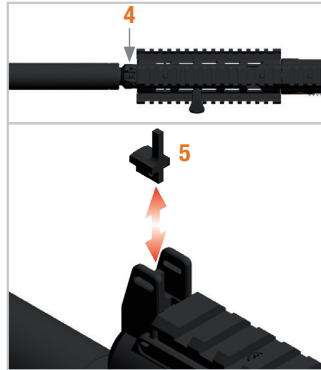
1. Press the stock lever **1** as shown and adjust the stock **2** as desired.

SIGHT ADJUSTMENT



3. Windage adjustment:

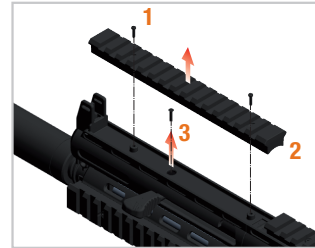
If the point of impact is too far left: turn sight screw **3** counterclockwise to adjust rear sight to **A**. If the point of impact is too far right: turn sight screw **3** clockwise to adjust rear sight to **B**.



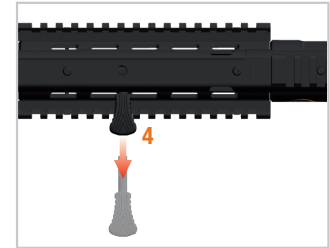
4. Elevation adjustment:

To change the front sight, loosen front sight screw **4** and change front sight **5** as follows: If the point of impact is too high, use a longer front sight. If the point of impact is too low, use a shorter front sight. Tighten front sight screw.

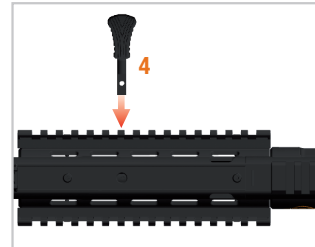
CHANGE COCKING LEVER



1. Remove both mounting rail screws **1** and rail **2** as shown. Remove the cocking lever screw **3**.



2. Pull the cocking lever **4** out of the gun.



3. Insert the cocking lever **4** on the other side of the gun.



4. Fix the cocking lever by means of the cocking lever screw **3**, then fix the mounting rail **2** in place by means of the mounting rail screws **1**.

MAINTENANCE - DISASSEMBLY FOR CLEANING

EN

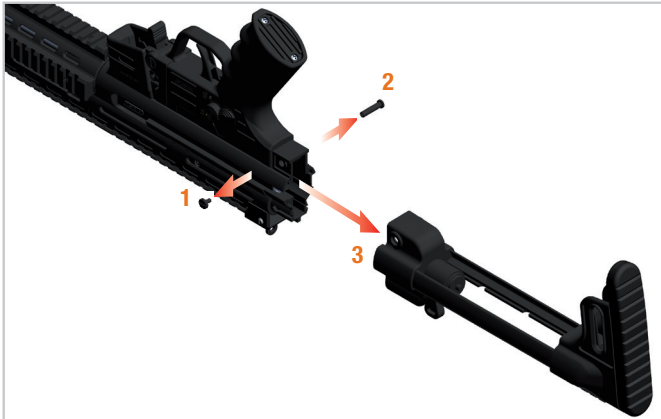
DE

FR

ES

WARNING

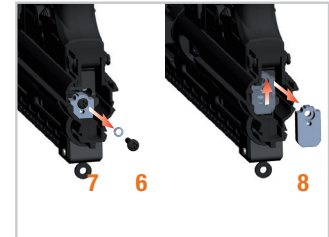
- ENGAGE THE SAFETY "S".
- KEEP THE GUN POINTED IN A SAFE DIRECTION.
- REMOVE THE FINGER FROM THE TRIGGER.
- CHECK AND ENSURE THAT THE GUN IS UNLOADED AND DECOCKED.
- ENSURE THAT THE CHAMBER IS EMPTY.



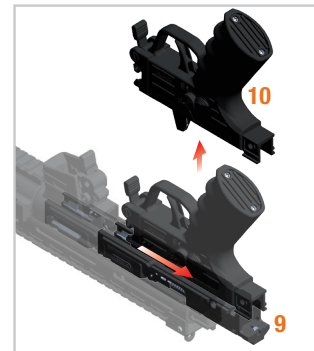
1. Turn the gun upside down and point it in a safe direction. Unlock the screw **1** and remove the bolt **2**. Remove the stock **3** as shown.



2. Loosen the screw **4** and remove the bolt **5**.



3. Loosen and remove screw **6** and the spring washer **7**. Slide the stop block **8** slightly up and remove it.



4. Pull back the breech housing **9** and the grip **10** as shown and remove the grip.



5. Slide the breech housing **9** backwards out of the weapon.

MAINTENANCE - CLEANING

CAUTION

- DO NOT DISASSEMBLE YOUR GUN ANY FURTHER. THE CLEANING CAN BE DONE WITHOUT FURTHER DISASSEMBLING. FURTHER DISASSEMBLING OF THE RIFLE SHOULD ONLY TO BE MADE BY QUALIFIED PERSONNEL.
- DO NOT USE A STEEL BRUSH OR ANY OTHER HARD OR SHARP MATERIAL TO CLEAN THE BARREL. THIS COULD DAMAGE THE INTERIOR SURFACE OF THE BARREL. USE ONLY A SUITABLE CLEANING ROD AND BRUSHES OF THE RIGHT CALIBER.
- SOLVENTS MIGHT DAMAGE THE SURFACE OF THE RIFLE. BEFORE USING ANY CLEANER OR SOLVENT, PLEASE REFER TO THE INSTRUCTIONS OF THE MANUFACTURER.

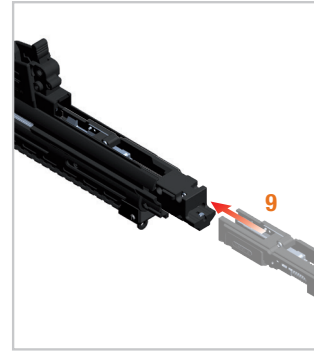
6. Procedure:

Lubricate the cleaning brush with a thin layer of gun oil and insert it into the barrel via the chamber. Use the brush to carefully remove all powder residues and dirt in the barrel and chamber.

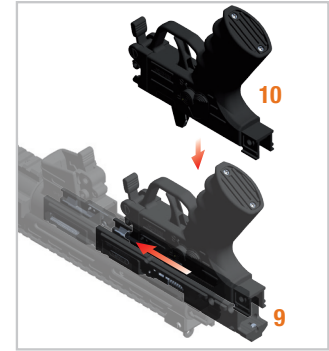
Wipe powder residues and oil from the barrel bore and chamber with cleaning patches.

Oil the chamber lightly.

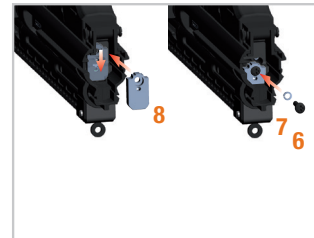
MAINTENANCE - REASSEMBLING



7. Slide the breech housing **9** as shown approximately half way into the weapon.



8. Put the grip **10** on the breech housing **9**. Slide the breech housing and the grip completely into their original position.



9. Install the stop block **8** and lock it with the spring washer **7** and the screw **6**.



10. Install the bolt **5** and the screw **4**.

MAINTENANCE - REASSEMBLING

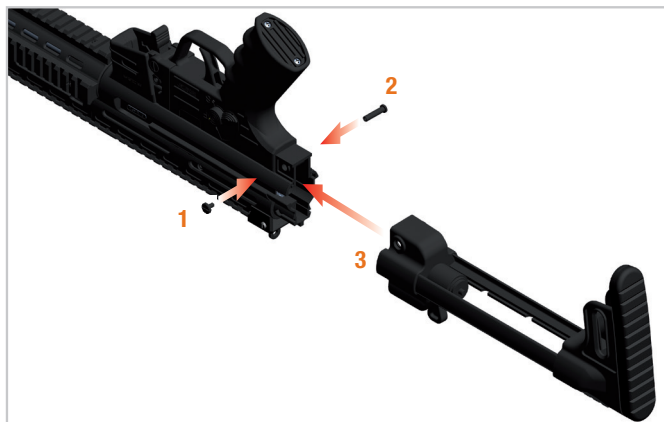
CARE OF THE GUN

EN

DE

FR

ES



11. Install the stock **3** as shown and fix it with the screw **1** and the bolt **2**.

CAUTION

- ALWAYS KEEP YOUR GUN IN IMMACULATE CONDITION AND IN GOOD WORKING ORDER.
- ALWAYS CLEAN YOUR GUN AFTER USE.
- NEVER MODIFY OR REPAIR PARTS OF YOUR GUN BY YOURSELF.
- HAVE YOUR GUN CHECKED ONCE EVERY 12 MONTHS BY A QUALIFIED GUNSMITH OR ARMORER BECAUSE DEFECTS, WEAR, CORROSION, ETC. ARE NOT ALWAYS VISIBLE FROM THE OUTSIDE.
- FOR REPAIR OR SERVICE WORK, HOWEVER, WE RECOMMEND THAT YOU RETURN THE GUN TO YOUR DEALER / IMPORTER WHO ALWAYS HOLDS A FULL RANGE OF SPARE PARTS IN STOCK.



CAUTION

WHEN REASSEMBLING THE GUN, THE SLIDE CATCH LEVER SPRING **9** (ON TRIGGER ASSEMBLY EXPLODED VIEW) MUST BE IN ITS ORIGINAL POSITION.

TROUBLE SHOOTING - JAM REMOVAL

CAUTION

GUN MAINTENANCE (CLEANING AND INSPECTION) IN ACCORDANCE WITH THE INSTRUCTIONS PROVIDED CAN PREVENT MALFUNCTIONS. SHOULD NEVERTHELESS A MALFUNCTION OCCUR DURING SHOOTING, PROCEED AS FOLLOWS:

WARNING

HOLD THE GUN POINTED IN A SAFE DIRECTION AND IN THE FIRING DIRECTION (SAFE DIRECTION) AND KEEP YOUR FINGER OFF THE TRIGGER AS YOU PERFORM THE STEPS DESCRIBED BELOW.



1. Remove the magazine.



2. Pull the cocking lever back until it stops and hold it in this position



3. Verify (visually or with a tool) that there is no projectile, cartridge, case or foreign body in the barrel bore or chamber.

4. If a projectile is locked in the bore, strip the rifle and have the blockage removed with a suitable tool by a qualified gunsmith.

5. Remove all cartridges, cases or foreign bodies.

6. Clean, lubricate and reassemble the rifle.

7. Have the gun inspected by a gunsmith or armorer.



SAFEKEEPING, STORAGE AND TRANSPORT OF THE GUN

EN

STORAGE

WARNING

- ALWAYS STORE YOUR GUN UNLOADED AND IN CLEANED CONDITION.
- STORE YOUR GUN SEPARATELY FROM ITS AMMUNITION AND UNDER LOCK AND KEY.
- THE GUN AND AMMUNITION MUST NOT BE ACCESSIBLE TO CHILDREN AND OTHER INEXPERIENCED OR UNAUTHORIZED PERSONS.

DE

FR

ES

TRANSPORT

WARNING

- FOR YOUR OWN SAFETY AND THE SAFETY OF OTHERS, ALWAYS TRANSPORT THE GUN **UNLOADED, DECOCKED AND CLOSED WITH THE CHAMBER FLAG INDICATOR INSIDE THE CHAMBER.**
- NEVER CARRY A GUN THAT HAS ALREADY BEEN COCKED OR HAS A BULLET IN THE CHAMBER.
- TRANSPORT THE GUN SEPERATE FROM THE AMMUNITION.
- ENSURE THAT ALL APPLICABLE LAWS GOVERNING THE TRANSPORT OF FIREARMS ARE COMPLIED WITH.

WARRANTY REPAIR

In case of warranty, please contact your dealer. Describe the problem and attach the appropriate purchase receipt.

DISPOSAL

Strictly observe any current national legislation governing the disposal of firearms.

ASSESSORIES

Find it under www.germansportguns.de

Essential information when ordering accessories:

- Gun Model (caliber, designation)
- Gun serial number
- Item number and index

The information provided in this Manual is subject to change without notice. Please check our website www.americantactical.us for the latest downloadable version of the Manual, and learn further interesting facts about your model.

GSG-16 CAL. .22

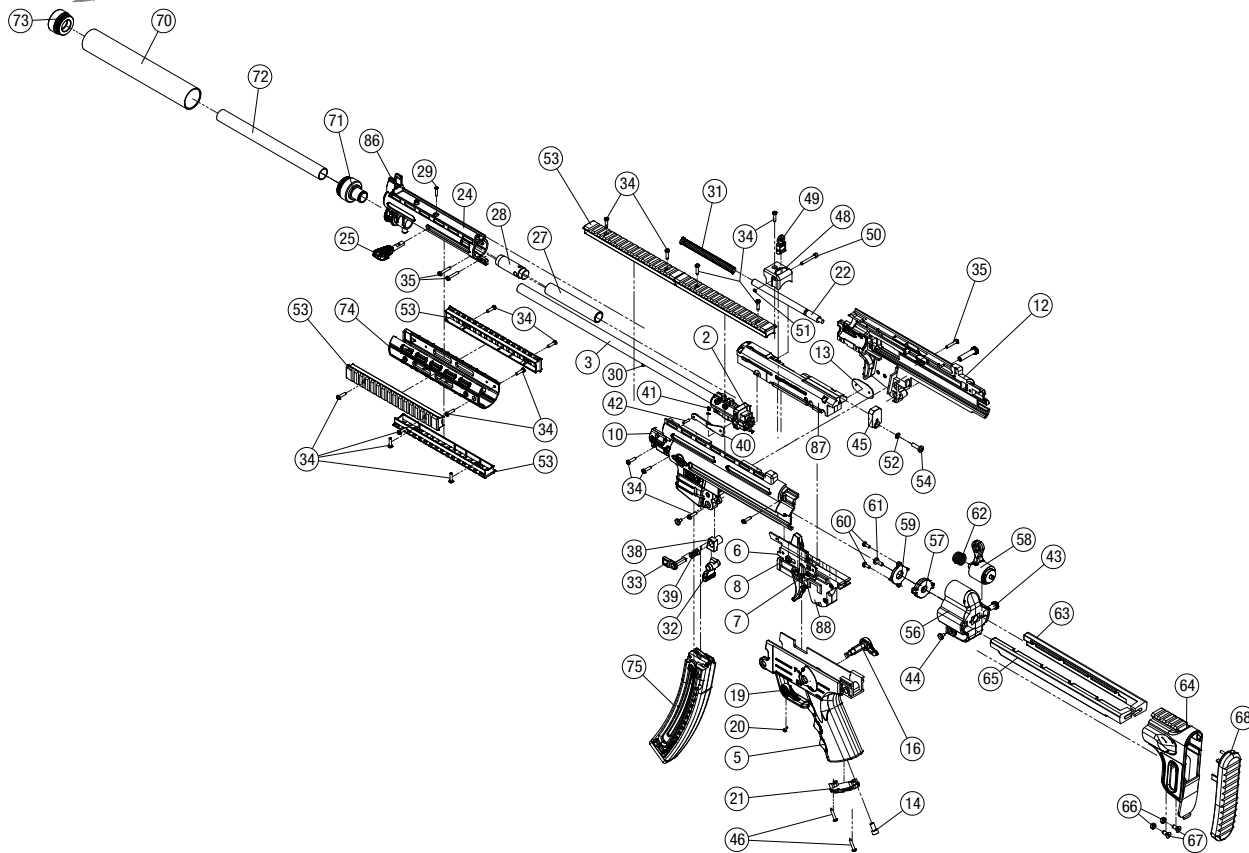
EXPLOSION DRAWINGS / SPARE PARTS

EN

DE

FR

ES



GSG-16 CAL. .22

1	GSG-16	23		45	Stop Block	67	Buttstock Screw
2	Barrel Breech Block	24	Front Sight Base	46	Pistol Grip Cover Screw	68	Butt Plate
3	Barrel	25	Cocking Lever	47	Rear Sight GSG-16	69	
4		26		48	Aperture Sight Holder	70	Shroud
5	GSG-16 Lower Receiver	27	Cocking Tube Rear	49	Aperture Sight	71	Shroud Back Cap
6	Safety Plate	28	Cocking Tube Front	50	Rear Sight Adjustment Screw	72	Shroud Inner Cap
7	Trigger Housing Space Washer SM	29	Cocking Lever Screw	51	Rear Sight C - Clip	73	Shroud Front Cap
8	Trigger Housing Space Washer LG	30	Barrel Set Screw	52	Stop Block Washer	74	Forestock
9		31	Recoil Spring	53	Picatinny Rail	75	Magazine
10	Upper Receiver Left	32	Magazine Release Button	54	Stop Block Screw	76	
11		33	Magazine Catch	55	GSG-16 Sliding Stock	77	
12	Upper Receiver Right	34	Thermoplastic Screw Short	56	Sliding Stock Cap	78	
13	Insertion Plates	35	Thermoplastic Screw Long	57	Locking Washer	79	
14	Pistol Grip Screw	36		58	Stock Slide Adjustment Lever	80	
15		37		59	Stop Washer	81	
16	Safety Lever Right	38	Mag Lever Cam	60	Stop Washer Screw	82	
17		39	Magazine Catch Spring	61	Lock Washer Screw	83	
18		40	Slide Catch Lever	62	Adjustment Lever Spring	84	
19	Safety Lever Left	41	Slide Catch Lever Spring	63	Buttstock Slide Rail Left	85	
20	Safety Lever Screw	42	Slide Catch Lever Cylindrical Pin	64	Magazine Catch for Sliding Stock	86	Standard Front Sight
21	Pistol Grip Cover	43	Stock Bolt	65	Buttstock Slide Rail Right	87	Breach Block Housing
22	Guide Rod	44	Stock Bolt Screw	66	Buttstock Nut	88	Trigger System Receiver



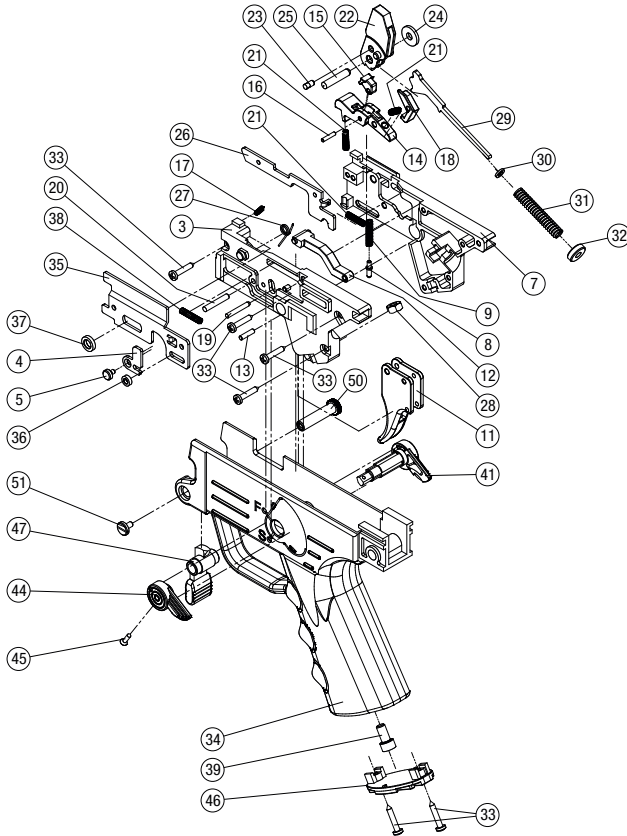
EXPLOSION DRAWINGS / TRIGGER ASSEMBLY

EN

DE

FR

ES

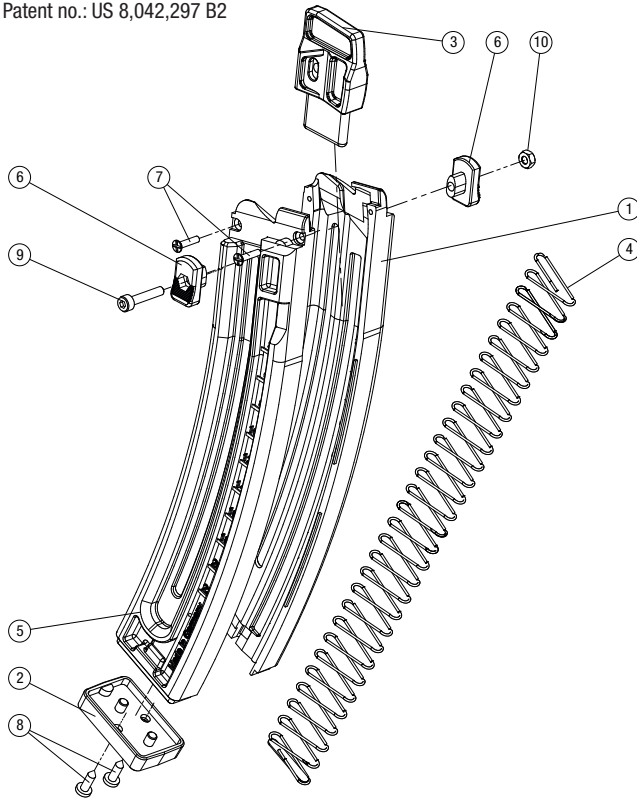


1		25	Hammer Pin
2		26	Magazine Safety
3	System Receiver (left)	27	Hammer Return Spring
4	Trigger Return Lever	28	Trigger Housing Nut
5	Bolt for Trigger Return Lever	29	Hammer Strut
6		30	Hammer Washer SM
7	System Receiver (right)	31	Hammer Spring
8	Trigger Spring Guide	32	Hammer Washer LG
9	Trigger Spring	33	Pistol Grip Cap Screw
10		34	Trigger housing
11	Trigger	35	Safety Plate
12	Trigger Bar	36	Trigger Housing Spacer Washer SM
13	Trigger Bar Pin	37	Trigger Housing Spacer Washer LG
14	Sear Housing	38	Trigger Return Spring
15	Sear	39	Pistol Grip Screw
16	Sear Pin	40	
17	Sear Spring	41	Safety Lever Right
18	Disconnecter	43	
19	Trigger Pin	44	Safety Lever Left
20	Sear Housing Pin	45	Safety Lever Screw
21	Sear / Disconnecter Spring	46	Pistol Grip Cover
22	Hammer	47	Magazine Release
23	Hammer Pin	50	Stock Bolt
24	Hammer Washer	51	Stock Bolt Screw

GSG-16 CAL. .22

Magazine

Patent no.: US 8,042,297 B2



- | | |
|----|----------------------------|
| 1 | Magazine Half (right) |
| 2 | Magazine Shoe |
| 3 | Feed |
| 4 | Magazine Spring |
| 5 | Magazine Half (left) |
| 6 | Magazine Button |
| 7 | Magazine Half Screw |
| 8 | Magazine Floor Plate Screw |
| 9 | Magazine Button Screw |
| 10 | Magazine Button Nut |

EINLEITUNG

EN

DE

FR

ES



SICHERHEITSHINWEISE _____ 24-25



BESCHREIBUNG _____ 26-27, 42-45



TECHNISCHE DATEN _____ 28



HANDHABUNG UND BEDIENUNG _____ 29-35



PFLEGE UND WARTUNG _____ 36-39



WARNUNG

EIN AUGENSCHUTZ IST ERFORDERLICH!

TRAGEN SIE EINE GEEIGNETE SICHERHEITSBRILLE (SCHIESSBRILLE)!



SICHERHEITSHINWEISE



WARNUNG

DIE NICHT-EINHALTUNG DER ANWEISUNGEN UND EMPFEHLUNGEN DIESES HANDBUCHS KANN ZU SCHWERER KÖRPERVERLETZUNG (U.A. GESICHTS-, AUGEN-, OHRVERLETZUNGEN, BLINDHEIT, GEHÖRLOSIGKEIT) SOWIE ZUM TOD FÜHREN.

- Verwenden Sie die Waffe niemals unter Einfluss von Drogen oder Alkohol, während Sie krank sind oder unter anderen Beeinträchtigungen leiden. Diese Umstände können Ihre Urteilskraft und Reflexe beeinträchtigen.
- Bevor Sie die Waffe benutzen, vergewissern Sie sich, dass Sie alle Funktionen vollständig verstanden haben und sich der Gefahren bewusst sind, die daraus resultieren, wenn Sie diese nicht beherrschen.
- Nehmen Sie immer an, dass Waffen geladen sind und dass die Sicherung deaktiviert ist, bis Sie sich vom Gegenteil überzeugt haben.
- Halten Sie die Mündung der Waffe während der Handhabung immer in eine sichere Richtung. Eine sichere Richtung ist in Richtung eines Bereichs, in dem sich keine Personen (einschließlich Sie selbst) oder Tiere oder keine Objekte befinden, die nicht Ziel sind.
- Richten Sie die Pistole niemals auf Türen, Glasscheiben, Wände, Beton, Stein oder flache Oberflächen (einschließlich Wasser). Eine Kugel kann solche Flächen durchdringen oder in eine unsichere Richtung abprallen.
- Verlassen Sie sich niemals auf Sicherheitsmechanismen und behandeln Sie Ihre Waffe immer so, als würden die Sicherheitsmechanismen nicht funktionieren. Sicherheitsmechanismen ersetzen keinen sorgfältigen, korrekten und sicheren Umgang mit der Waffe.
- Schießen Sie niemals mit einer Pistole, die durch Wasser, Sand, Schmutz oder andere Fremdkörper behindert wird.
- Legen Sie niemals eine geladene Waffe weg und entladen Sie die Waffe

SICHERHEITSHINWEISE

immer sofort nach dem Abfeuern, bevor Sie die Waffe einsetzen, in ein Waffengehäuse oder Holster stecken oder sie einer anderen autorisierten Person aushändigen.

- Lagern Sie die Waffe niemals im geladenen Zustand, sondern entfernen Sie das Magazin und stellen Sie sicher, dass keine Patrone in der Kammer des Laufes verbleibt.
- Geben Sie die Waffe niemals einer Person, die sich nicht gründlich mit den Sicherheitsanweisungen und der Handhabung der Waffe, durch Lesen der Bedienungsanleitung, vertraut gemacht hat.
- Lassen Sie die Waffe niemals unbeaufsichtigt und schützen Sie sie vor unbefugtem Zugriff.
- Bewahren Sie die Waffe und die Munition getrennt voneinander auf und halten Sie beides von Unbefugten und Kindern fern.
- Legen Sie niemals den Finger an den Abzug, außer beim Schießen.
- Stellen Sie immer sicher, dass Sie beim Schießen einen geeigneten Kugelfang haben und nicht in den Himmel zielen.
- Stellen Sie sicher, dass Sie und alle Personen in Ihrer Nähe Ohrschutz- und Schutzbrillen tragen.
- Achten Sie beim Schießen in geschlossenen Schießständen immer auf ausreichende Belüftung.
- Versuchen Sie niemals Hindernisse, Flüsse, Zäune oder Ähnliches mit einer geladenen Waffe zu überqueren.
- Halten Sie Ihre Finger von beweglichen Teilen wie dem freiliegenden Teil des Verschlusses in der Auswurföffnung und dem Ladegriff sowie von der Mündung fern.
- Verwenden Sie für Ihre Waffe nur handelsübliche Munition, die nach CIP oder SAAMI Standards hergestellt wurde. Verwenden Sie niemals nicht-standardisierte, wiederaufbereitete oder handgeladene Munition.
- Verschießen Sie keine Munition, die in irgendeiner Form verformt wurde

oder bei einer Fehlfunktion der Waffe verformt wurde.

- Stoppen Sie das Schießen und entladen Sie die Pistole, wenn Sie irgendeine Art von Funktionsstörung wie einen Ausziehfehler, Zuführfehler, Auswurf Fehler oder Hülsenklemmer bemerken.
- Sollte durch eine niedrig oder gar nicht geladene Patrone ein Geschoss den Lauf nicht verlassen, werden Sie dies durch einen ungewöhnlichen leichten oder nicht vorhandenen Rückstoß und / oder niedrigen oder keinen Mündungsblitz bemerken. In diesen Fällen beenden Sie das Schießen sofort, bis die Waffe überprüft und der Lauf von einem professionellen Büchsenmacher vom steckengebliebenen Projektil befreit wurde. Versuchen Sie nie, eine festsitzende Kugel mit einem weiteren Schuss zu entfernen!
- Im Falle eines Zündversagers warten Sie mindestens eine Minute, während Sie die Waffe weiterhin im Anschlag auf Ihr Ziel oder in eine sichere Richtung richten, bevor Sie die Waffe entladen.

WARNUNG

VERWENDEN SIE DIESE SCHUSSWAFFE NUR DANN, WENN DER SCHAFT MONTIERT IST! DIESE SCHUSSWAFFE IST SO KONZIPIERT, DASS SIE NUR MIT MONTIERTEM SCHAFT BETÄTIGT WERDEN DARF. DER SCHAFT DARF NUR ZUR REINIGUNG ODER REPARATUR ABMONTIERT WERDEN UND IST VOR DEM GEBRAUCH DER WAFFE WIEDER ORDNUNGSGEMÄSS ANZUBRINGEN. EINE BETÄTIGUNG DER WAFFE OHNE ORDNUNGSGEMÄSS MONTIERTEN SCHAFT KANN ZU VERLETZUNGEN ODER GAR ZUM TODE FÜHREN. IN DERLEI FÄLLEN ÜBERNIMMT DER HERSTELLER KEINERLEI HAFTUNG. BITTE BEACHTEN SIE, DASS AUCH ÄNDERUNGEN AM AUSLIEFERUNGSZUSTAND DER WAFFE DEN VERLUST DER GEWÄHRLEISTUNG SOWIE DEN VERLUST JEDLICHER HAFTUNGSANSPRÜCHE GEGENÜBER DEM HERSTELLER UND DEM IMPORTEUR NACH SICH ZIEHEN.

GSG-16 CAL. .22



BENENNUNGEN

EN

DE

FR

ES

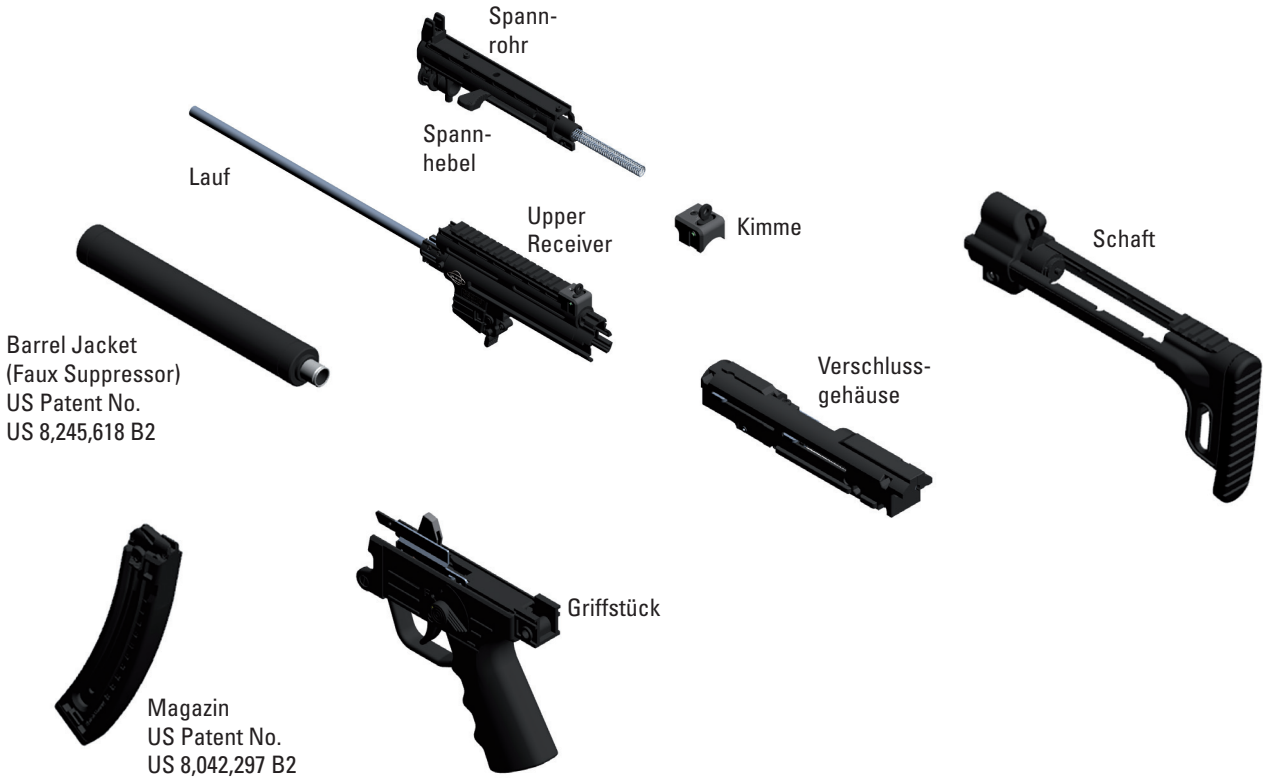


* Magazin nicht im Lieferumfang enthalten

GSG-16 CAL. .22



BAUGRUPPEN



GSG-16 CAL. .22

TECHNISCHE DATEN

EN

Kaliber .22 Long Rifle HV

DE

Gesamtlänge 34.18 inch

Gesamtlänge mit eingeschobenem 28.56 inch

FR

Schaft

ES

Gesamthöhe mit Magazin 10.32 inch

Gesamthöhe ohne Magazin 8.59 inch

Gesamtbreite 2.86 inch

Laufänge 16.29 inch

Dralllänge 15.98 inch

Anzahl der Züge 6

Visierlänge 14.12 inch

Gewicht mit leerem Magazin 5.84 lbs.

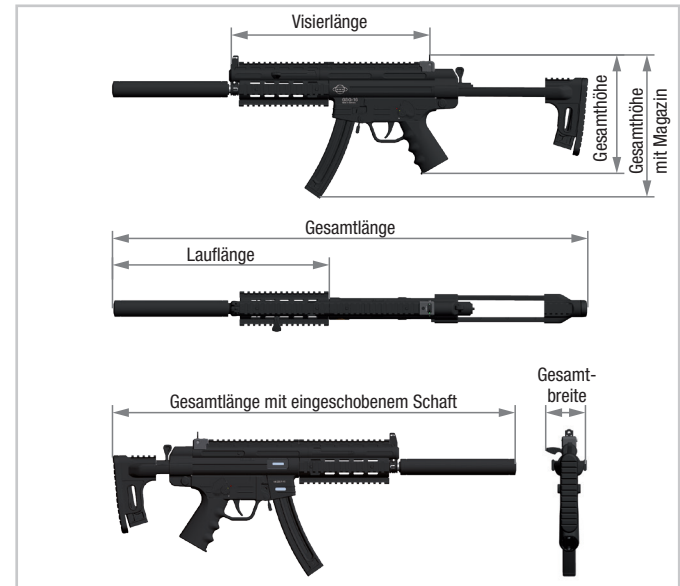
Gewicht ohne Magazin 5.62 lbs.

Gewicht des leeren Magazins 4 oz

Abzugsgewicht 5.50 lbs.

Magazinkapazität 22/10*

*optional



SICHERUNGEN

WARNUNG

FÜHREN SIE DIE WAFFE NIEMALS MIT SICH, WENN SIE GESPANNT UND/ODER GELADEN IST. AM BESTEN IST ES, DIE WAFFE NUR DIREKT VOR DEM SCHIESSEN ZU SPANNEN.



1. Sicherung

Hinweis: Mit Entfernen des Magazins ist der Abzug blockiert und damit gesichert.

ACHTUNG

EIN INNENLIEGENDER SICHERUNGSSSTIFT BEFINDET SICH VOR DEM SCHLAGBOLZEN UND VERHINDERT, DASS DER SCHLAGBOLZEN AUF DIE PATRONE AUFTREFFEN KANN. BEIM BETÄTIGEN DES ABZUGS BEWEGT SICH DER SICHERUNGSSSTIFT NACH VORN UND GIBT DEN SCHLAGBOLZEN FREI.

WARNUNG

ZIELEN SIE MIT DER WAFFE NIEMALS AUF GEGENSTÄNDE, DIE SIE NICHT TREFFEN WOLLEN. ZIELEN SIE MIT DER WAFFE NIEMALS AUF MENSCHEN ODER TIERE.

MAGAZIN LADEN

WARNUNG

VERWENDEN SIE FÜR DIE WAFFE NUR HANDELSÜBLICHE, DEM KALIBER DER WAFFE ENTSPRECHENDE MUNITION IN ORIGINALVERPACKUNG. DAS RICHTIGE KALIBER IST AUF DER WAFFE EINGEPRÄGT. VERWENDEN SIE FÜR IHRE WAFFE NUR HANDELSÜBLICHE MUNITION, DIE NACH CIP ODER SAAMI STANDARDS HERGESTELLT WURDE. VERWENDEN SIE NIEMALS NICHT-STANDARDISIERTE, WIEDERAUFBEREITETE ODER HANDGELADENE MUNITION.



1. Zubringerknopf des Magazins nach unten ziehen **1** und die Patrone **2** wie abgebildet bis zum hinteren Anschlag einschieben.

Hinweis: Nur so viele Patronen ins Magazin laden, wie tatsächlich verschossen werden sollen (max. 22/10* Patronen).



LADEN DER WAFFE

EN

DE

FR

ES

WARNUNG

LASSEN SIE DIE WAFFE IMMER GESICHERT, ENTSPANNT UND UNGELADEN, BIS SIE BEREIT SIND ZUM SCHIESSEN.

WARNUNG

- DER SICHERUNGSHEBEL MUSS SICH IMMER IN STELLUNG „S“ BEFINDEN. LADEN ODER ENTLADEN SIE DIE WAFFE NIEMALS IN EINEM FAHRZEUG ODER AUF SONSTIGEM ENGEN RAUM (AUSGENOMMEN IN EINEM ORDNUNGSGEMÄSSEN SCHIESSTAND). WISCHEN SIE ÜBERSCHÜSSIGES FETT UND ÖL VOR DEM LADEN STETS AB UND ÜBERPRÜFEN SIE VISUELL, DASS SICH KEINE FREMDKÖRPER IM LAUF BEFINDEN.
- HALTEN SIE DIE MÜNDUNG DER WAFFE IMMER IN EINE **SICHERE RICHTUNG**.
- LEGEN SIE DEN FINGER NICHT AUF DEN ABZUG, SONDERN AUSSERHALB DES ABZUGSBÜGELS. LADEN SIE DIE WAFFE DURCH EINSCHIEBEN DES MAGAZINS ERST UNMITTELBAR VOR DEM SCHIESSEN.
- ZIEHEN SIE DEN SPANNHEBEL NACH HINTEN, UM DIE ERSTE PATRONE ZU LADEN. **VERLASSEN SIE SICH NIEMALS AUSSCHLIESSLICH AUF DIE SICHERHEITSMECHANISMEN. SICHERHEITSMECHANISMEN SIND KEIN ERSATZ FÜR EINEN UMSICHTIGEN UND SACHGERECHTEN UMGANG**
- GEBEN SIE EINE GELADENE WAFFE NIEMALS AUS DER HAND.



1. Setzen Sie das geladene Magazin **1** ein und vergewissern Sie sich, dass es vollständig verrastet ist.



2. Ziehen Sie nun den Spannhebel **2** bis zum Anschlag nach hinten und lassen ihn dann wieder nach vorne gleiten.

SCHIESSEN



1. Bringen Sie den Sicherungshebel in die Position „F“. Die Waffe ist nun entsichert und schussbereit. Zielen Sie auf ein sicheres Ziel und betätigen den Abzug. **Hinweis:** Der Verschluss wird nach dem letzten Schuss in offener Stellung gehalten

NACHLADEN - WÄHREND DES SCHIESSENS

WARNUNG

- BRINGEN SIE DEN SICHERUNGHEBEL IN DIE POSITION „S“.
- LASSEN SIE DIE WAFFE STETS AUF EIN SICHERES ZIEL GERICHTET.
- NEHMEN SIE DEN FINGER VOM ABZUG.



- Drücken Sie den Magazinhalteknopf **1** und entfernen sie das Magazin.
- Setzen Sie das geladene Magazin ein und vergewissern Sie sich, dass es vollständig verrastet ist
- Ziehen Sie nun den Spannhebel bis zum Anschlag nach hinten und lassen ihn dann wieder nach vorne gleiten
- Das Gewehr ist nun nachgeladen und gespannt.

WARNUNG

- BENUTZEN SIE DIE WAFFE NUR DANN, WENN DER SCHAFT MONTIERT IST.
- ACHTEN SIE BEIM SCHIESSEN DARAUF, DASS SICH IHRE FINGER, HÄNDE ODER ANDERE KÖRPERTEILE NICHT VOR, ÜBER ODER NEBEN DER LAUFMÜNDUNG ODER DEM HÜLSENAUSWURF BEFINDEN.
- LASSEN SIE PERSONEN ODER ANDERE LEBEWESEN NIE DORT STEHEN, WO SIE VON AUSGEWORFENEN PATRONENHÜLSEN GETROFFEN WERDEN KÖNNTEN.
- TRAGEN SIE BEIM SCHIESSEN IMMER EINEN GEHÖRSCHUTZ UND EINE SCHUTZBRILLE. MACHEN SIE PERSONEN, DIE SICH IN IHRER NÄHE AUFHALTEN, DARAUF AUFMERKSAM, DASS AUCH SIE GEHÖRSCHUTZ UND SCHUTZBRILLE TRAGEN MÜSSEN.
- UNTERBRECHEN SIE DAS SCHIESSEN SOFORT UND ENTLADEN SIE DIE WAFFE, WENN SIE VERMUTEN, DASS EINE PATRONE NICHT RICHTIG ZUGEFÜHRT WURDE, EINE PATRONENHÜLSE VERKLEMMT IST, EIN GESCHOSS DEN LAUF VERSTOPFT HABEN KÖNNTE ODER EIN SCHUSS SICH SCHWACH ODER ABNORMAL ANHÖRT ODER ANFÜHLT.
- SOLLTE SICH IM LAUF EIN BLOCKIERTES GESCHOSS BEFINDEN UND DIESEN VERSTOPFEN, DANN VERSUCHEN SIE NIEMALS, DIESES MITTELS EINER ANDEREN PATRONE HERAUSZUSCHIESSEN.

ACHTUNG

LEGEN SIE WÄHREND DER SCHUSSABGABE DIE FREIE HAND NICHT AUF DAS MAGAZIN; DAS KÖNNTE FUNKTIONSBSTÖRUNGEN VERURSACHEN. HALTEN SIE DIE WAFFE AM HANDSCHUTZ.

GSG-16 CAL. .22



ENTLADEN - MAGAZIN NICHT LEER

EN

DE

FR

ES

WARNUNG

GEBEN SIE DIE WAFFE NUR DANN AUS DER HAND, WENN SIE ENTLADEN IST.

WARNUNG

- WENN DIE WAFFE GELADEN IST, BEFINDET SICH EINE PATRONE IM PATRONENLAGER.
- LEGEN SIE NIEMALS IHRE HAND ÜBER DAS PATRONENAUSWURFFENSTER.
- HALTEN SIE DIE MÜNDUNG DER WAFFE IN EINE SICHERE RICHTUNG
- BRINGEN SIE DEN SICHERUNGSHEBEL IN DIE POSITION „S“



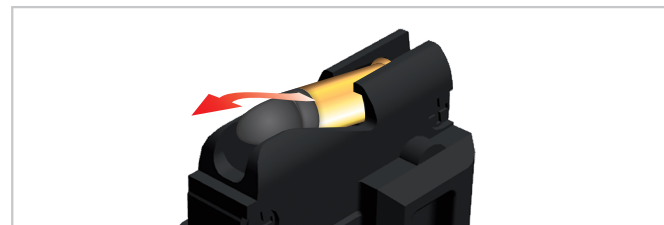
1. Sichern Sie die Waffe und drücken Sie den Magazinhalteknopf 1, um das Magazin herauszunehmen.



2. Ziehen Sie den Spannhebel bis zum Anschlag zurück, dabei wird die Patrone ausgeworfen. Überprüfen Sie (sowohl visuell als auch manuell mit entsprechenden Hilfsmitteln), dass die Patrone tatsächlich ausgeworfen wurde und das Patronenlager leer ist. Lassen Sie den Spannhebel wieder nach vorne gleiten.

WARNUNG

DIE WAFFE IST NUN ENTLADEN, ABER NICHT ENTSPANNT



3. Leeren Sie das Magazin. Heben Sie die ausgeworfene Patrone auf und reinigen Sie die Waffe

GSG-16 CAL. .22



ENTLADEN - MAGAZIN LEER



1. Sichern Sie die Waffe und drücken Sie den Magazinhalteknopf **1**, um das Magazin herauszunehmen. Der Hülsenauswurf muss nach der letzten Patrone offen sein. Überprüfen Sie (sowohl visuell als auch manuell mit entsprechenden Hilfsmitteln), dass die Patrone tatsächlich ausgeworfen wurde und das Patronenlager leer ist.

WARNUNG

DIE WAFFE IST NUN ENTLADEN, ABER NICHT ENTSPANNT



ENTSPANNEN

WARNUNG

VERGEWISSERN SIE SICH, DASS SICH KEINE PATRONE MEHR IM LAUF BZW. IM PATRONENLAGER BEFINDET.

Entspannen:

1. Entnehmen Sie das leere Magazin.
2. Ziehen Sie nun den Spannhebel zurück und lassen ihn dann wieder nach vorne gleiten. Der Verschluss muss dabei auch wieder nach vorne schnellen, sodass sich der Hülsenauswurf schließt.
3. Setzen Sie ein **leeres** Magazin ein.
4. Bewegen Sie den Sicherungshebel in die Position „F“, halten Sie die Waffe in eine sichere Richtung und betätigen Sie den Abzug.

ACHTUNG

BETÄTIGEN SIE DEN ABZUG NUR DANN, WENN EIN LEERES MAGAZIN EINGELEGT IST UND SICH KEINE PATRONE MEHR IM PATRONENLAGER BEFINDET.

5. Der Schlaghebel schnellt nach vorne, die Waffe ist nun entspannt.
6. Bewegen Sie den Sicherungshebel wieder in die Position „S“ und entnehmen das leere Magazin.

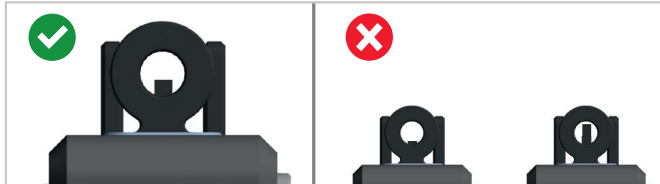
WARNUNG

WENN SIE DEN SPANNHEBEL NACH DIESEM VORGANG ZURÜCKZIEHEN, WIRD DIESER WIEDER GESpanNT UND DIE WAFFE IST DAMIT WIEDER SCHUSSBEREIT!

VISIERUNG

WARNUNG

ZIELEN SIE MIT DER WAFFE NIEMALS AUF GEGENSTÄNDE, DIE SIE NICHT TREFFEN WOLLEN. ZIELEN SIE MIT DER WAFFE NIEMALS AUF MENSCHEN ODER TIERE.

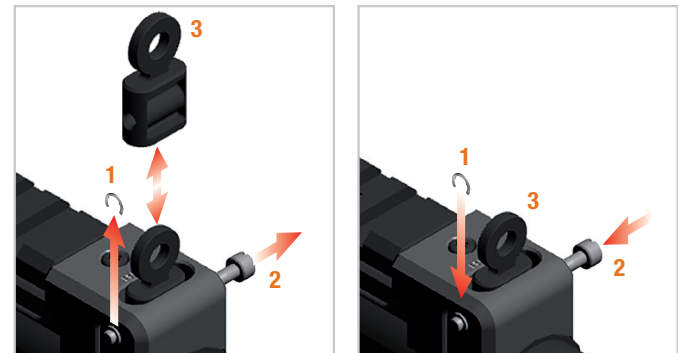
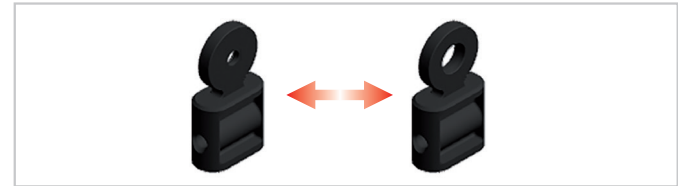


1. Zielen

VISIEREINSTELLUNG

WARNUNG

STELLEN SIE DEN SICHERUNGSHEBEL IMMER IN DIE POSITION „S“ UND HALTEN SIE DIE MÜNDUNG DER WAFFE IN EINE SICHERE RICHTUNG BEI JEDER JUSTIERUNG.



2. **Wechsel der Kimme:** Entfernen Sie Sicherungsscheibe 1 und Visierschraube 2. Wechseln Sie die Kimme und befestigen Sie mit der Visierschraube und der Sicherungsscheibe.

SCHAFFTEINSTELLUNG



1. Drücken Sie auf den Schaffthebel 1 wie abgebildet und verstellen den Schaft 2 wie gewünscht.

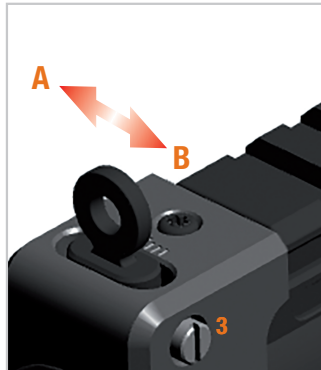
EN

DE

FR

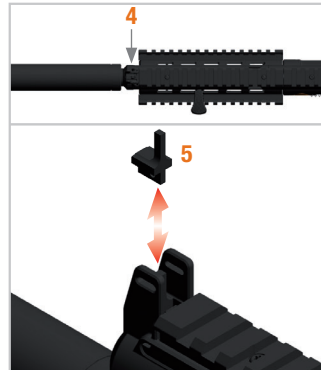
ES

VISIEREINSTELLUNG



3. Seiteneinstellung:

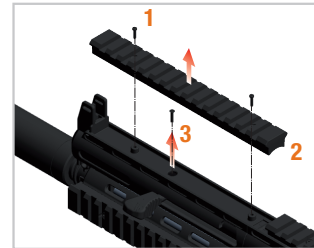
Bei Linksschuss: Visierschraube **3** gegen den Uhrzeigersinn schrauben um die Kimme in Richtung **A** zu verstellen. Bei Rechtsschuss: Visierschraube **3** im Uhrzeigersinn schrauben um die Kimme in Richtung **B** zu verstellen.



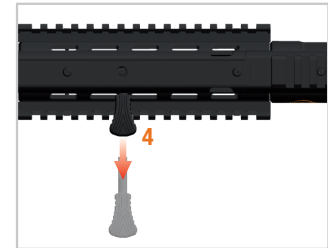
4. Höhenverstellung:

Um das Korn zu wechseln, lösen Sie die Befestigungsschraube **4** und wechseln das Korn **5** nach folgenden Angaben:
Bei Hochschuss verwenden Sie ein längeres Korn.
Bei Tiefschuss verwenden Sie ein kürzeres Korn.
Schrauben Sie die Befestigungsschraube wieder fest.

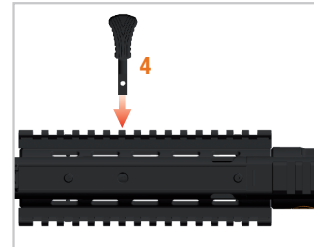
SPANNHEBELWECHSEL



1. Entfernen Sie die Montageschienenschrauben **1** und die Montageschiene **2** wie abgebildet. Entfernen Sie die Spannhebelschraube **3**.



2. Ziehen Sie den Spannhebel **4** aus der Waffe.



3. Setzen Sie den Spannhebel an der anderen Seite wieder ein.



4. Befestigen Sie den Spannhebel mit der Spannhebelschraube und montieren die Montageschiene mit den Montageschienenschrauben.

WARTUNG - DEMONTAGE FÜR DIE REINIGUNG

EN

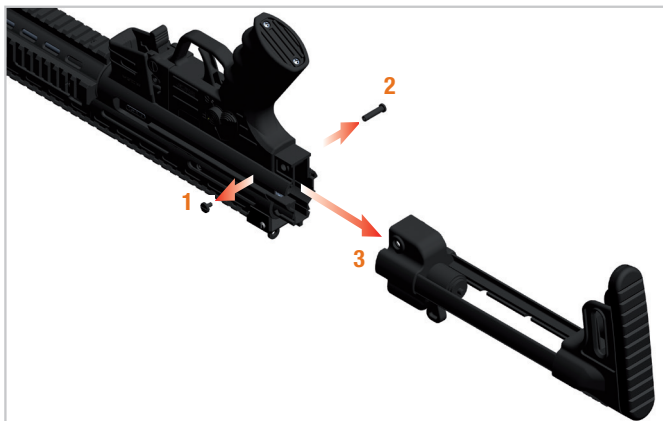
DE

FR

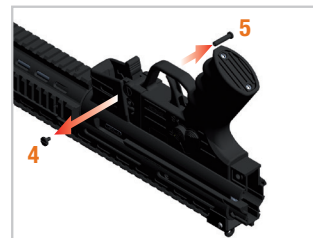
ES

WARNUNG

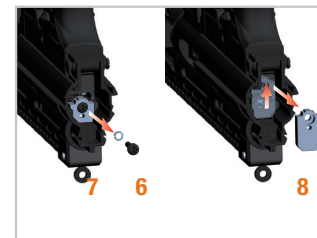
- STELLEN SIE DEN SICHERUNGSEBEL AUF DIE GESICHERTE POSITION "S".
- HALTEN SIE DIE WAFFE IN EINE SICHERE RICHTUNG.
- NEHMEN SIE DEN FINGER VOM ABZUG.
- PRÜFEN SIE, OB DIE WAFFE ENTLADEN UND ENTSPANNT IST.
- VERGEWISSERN SIE SICH, DASS DAS PATRONENLAGER LEER IST.



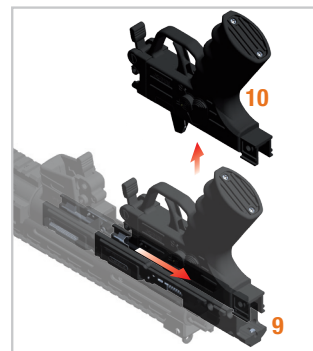
1. Drehen Sie die Waffe um und halten Sie sie in eine sichere Richtung. Lösen Sie Schraube 1 und entfernen den Bolzen 2. Ziehen Sie den Schaft 3 nach hinten ab.



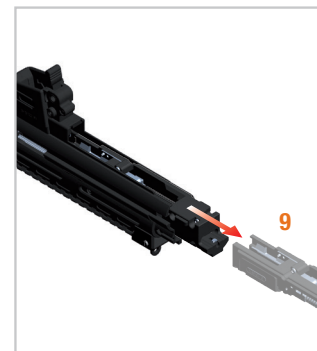
2. Lösen Sie Schraube 4 und entfernen den Bolzen 5.



3. Lösen und entfernen Sie Schraube 6 und Federring 7. Schieben Sie das Raststück 8 leicht nach oben und nehmen es nach hinten raus.



4. Schieben Sie das Verschlussgehäuse 9 mit dem Griffstück 10 etwas zurück und nehmen das Griffstück ab.



5. Ziehen Sie jetzt das Verschlussgehäuse 9 nach hinten aus der Waffe.

WARTUNG - REINIGUNG

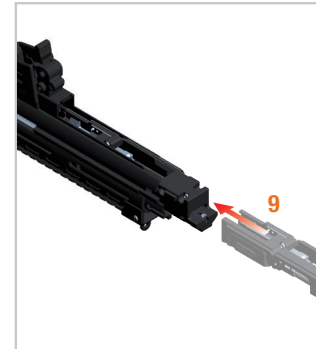
ACHTUNG

- BITTE ZERLEGEN SIE DIE WAFFE AUF KEINEN FALL WEITER. DIE REINIGUNG KANN OHNE WEITERE ZERLEGUNG DURCHFÜHRT WERDEN. EINE WEITERE ZERLEGUNG DES GEWEHRS SOLLTE NUR VON QUALIFIZIERTEM PERSONAL DURCHFÜHRT WERDEN.
- BENUTZEN SIE KEINE STAHLBÜRSTE ODER ANDERE HARTE ODER SCHARFE MITTEL, UM DEN LAUF ODER ANDERE METALLTEILE ZU REINIGEN; DIESE KÖNNTEN DIE INNENFLÄCHE DES LAUFES BESCHÄDIGEN. BENUTZEN SIE NUR GEEIGNETE REINIGUNGSSTÄBE UND BÜRSTEN DES RICHTIGEN KALIBERS.
- LÖSUNGSMITTEL KÖNNTEN DIE OBERFLÄCHE DES GEWEHRS BESCHÄDIGEN. BEACHTEN SIE BITTE UNBEDINGT DIE HINWEISE DES HERSTELLERS, BEVOR SIE REINIGER ODER LÖSUNGSMITTEL EINSETZEN.

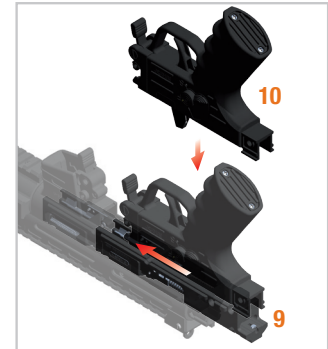
6. Vorgehensweise:

Benetzen Sie die mitgelieferte Reinigungsbürste mit Waffenöl und führen Sie diese über das Patronenlager in den Lauf ein. Entfernen Sie mit der Bürste sehr sorgfältig alle Pulverrückstände und Schmutz aus dem Lauf und dem Patronenlager. Wischen Sie Pulverrückstände und Öl von der Laufbohrung sowie vom Patronenlager mit Reinigungstüchern ab. Ölen Sie das Patronenlager leicht.

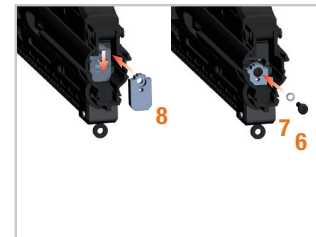
WARTUNG - MONTAGE



7. Schieben Sie das Verschlussgehäuse **9** etwa bis zur Hälfte in die Waffe.



8. Setzen dann das Griffstück **10** wieder auf das Verschlussgehäuse **9**. Schieben Sie jetzt Verschlussgehäuse und Griffstück bis zum Anschlag in die Waffe.



9. Installieren Sie das Raststück **8** und befestigen es mit Schraube **6** und Federring **7**.



10. Setzen Sie den Bolzen **5** wieder ein und befestigen ihn mit der Schraube **4**.

WARTUNG - MONTAGE

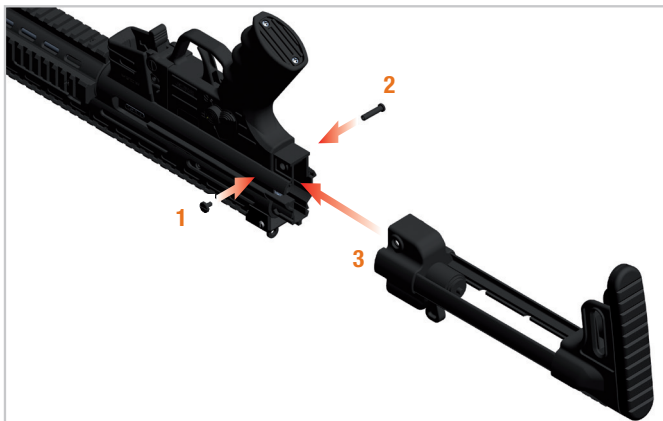
PFLEGE

EN

DE

FR

ES



11. Schieben Sie den Schaft wieder wie abgebildet in die Waffe und sichern ihn mit Bolzen und Schraube.



! ACHTUNG

EIM EINSETZEN DES GRIFFSTÜCKS MUSS DIE FEDER DES VERSCHLUSSFANGHEBELS 9 WIEDER IN IHRE POSITION GEBRACHT WERDEN.

! ACHTUNG

- ACHTEN SIE DARAUF, DASS SICH DIE WAFFE IMMER IN EINWANDFREIEM ZUSTAND BEFINDET UND VOLL FUNKTIONSFÄHIG IST.
- REINIGEN SIE DIE WAFFE STETS NACH GEBRAUCH.
- VERÄNDERN ODER REPARIEREN SIE NIE SELBST TEILE DER WAFFE.
- LASSEN SIE DIE WAFFE ALLE 12 MONATE VON EINEM QUALIFIZIERTEN BÜCHSENMACHER ÜBERPRÜFEN, DENN DEFEKTE, ABNUTZUNG, KORROSION USW. SIND NICHT IMMER VON AUSSEN SICHTBAR.
- FÜR REPARATUREN UND WARTUNGSARBEITEN EMPFEHLEN WIR JEDOCH, DASS SIE DIE WAFFE AN IHREN HÄNDLER ZURÜCKSCHICKEN; DIESE HABEN STETS EIN KOMPLETTES ERSATZTEILSORTIMENT AUF LAGER.

FEHLERBEHEBUNG

ACHTUNG

EINE WARTUNG DER WAFFE (REINIGUNG UND INSPEKTION) GEMÄSS DEN GEGEBENEN ANWEISUNGEN KANN FUNKTIONSSTÖRUNGEN VORBEUGEN. SOLLTE WÄHREND DES SCHIESSENS DENNOCH EINE FUNKTIONSSTÖRUNG AUFTRETEN, GEHEN SIE WIE FOLGT VOR:

WARNUNG

HALTEN SIE DIE WAFFE IN EINE SICHERE RICHTUNG UND HALTEN SIE IHRE FINGER VOM ABZUG FERN, WÄHREND SIE DIE NACHSTEHEND BESCHRIEBENEN SCHRITTE AUSFÜHREN.



1. Entfernen Sie das Magazin.



2. Ziehen Sie den Spannhebel bis zum Anschlag zurück und halten Sie ihn in dieser Position.



3. Prüfen Sie (visuell oder mit einem Werkzeug), dass sich kein Projektil, keine Patrone, keine Patronenhülse sowie auch kein Fremdkörper in der Laufbohrung oder im Patronenlager befindet.

4. Wenn ein Projektil in der Bohrung festsetzt, zerlegen Sie das Gewehr und lassen Sie die Blockierung durch einen qualifizierten Büchsenmacher mit einem geeigneten Werkzeug entfernen.
5. Entfernen Sie alle Patronen, Patronenhülsen sowie Fremdkörper.
6. Reinigen und schmieren Sie das Gewehr und setzen Sie es zusammen.
7. Lassen Sie die Waffe von einem Büchsenmacher oder Waffenmechaniker prüfen.



LAGERUNG, SICHERE AUFBEWAHRUNG UND TRANSPORT

EN

LAGERUNG

DE

WARNUNG

- BEWAHREN SIE IHRE WAFFE STETS UNGELADEN UND IN GEREINIGTEM ZUSTAND AUF.
- LAGERN SIE DIE WAFFE STETS GETRENNT VON IHRER MUNITION UND UNTER VERSCHLUSS.
- DIE WAFFE UND DIE MUNITION DÜRFEN NICHT FÜR KINDER ODER UNERFAHRENE ODER UNBEFUGTE PERSONEN ZUGÄNGLICH SEIN.

FR

ES

TRANSPORT

WARNUNG

- TRANSPORTIEREN SIE DIE WAFFE ZU IHRER EIGENEN SICHERHEIT UND ZUR SICHERHEIT ANDERER STETS ENTLADEN UND ENTSPANNT.
- FÜHREN SIE NIE EINE WAFFE MIT SICH, DIE BEREITS GESPANNT WURDE UND EINE PATRONE IM PATRONENLAGER ENTHÄLT.
- TRANSPORTIEREN SIE DIE WAFFE GETRENNT VON DER MUNITION.
- VERGEWISSERN SIE SICH, DASS SIE ALLE ANWENDBAREN GESETZE ÜBER DEN TRANSPORT VON SCHUSSWAFFEN EINHALTEN.

GEWÄHRLEISTUNG

Im Gewährleistungsfall wenden Sie sich bitte an Ihren Fachhändler. Beschreiben Sie ihm das Problem und fügen Sie den entsprechenden Kaufbeleg bei.

ENTSORGUNG

Halten Sie sich genau an die jeweils geltenden nationalen Gesetzesvorschriften über die ordnungsgemäße Entsorgung von Schusswaffen.

ZUBEHÖR

Passendes Zubehör finden Sie über die Internetseite www.germansportguns.de

Notwendige Angaben für die Bestellung von Zubehör:

- Waffenmodell (Kaliber, Bezeichnung)
- Waffen-Seriennummer
- Artikel- und Teilenummer

Die in dieser Bedienungsanleitung enthaltenen Informationen können ohne Ankündigung geändert werden. Eine jeweils aktuelle Version der Bedienungsanleitung finden Sie zum Download auf unserer Internetseite www.germansportguns.de. Dort erfahren Sie auch noch mehr Wissenswertes über GSG und Ihr Modell.

GSG-16 CAL. .22

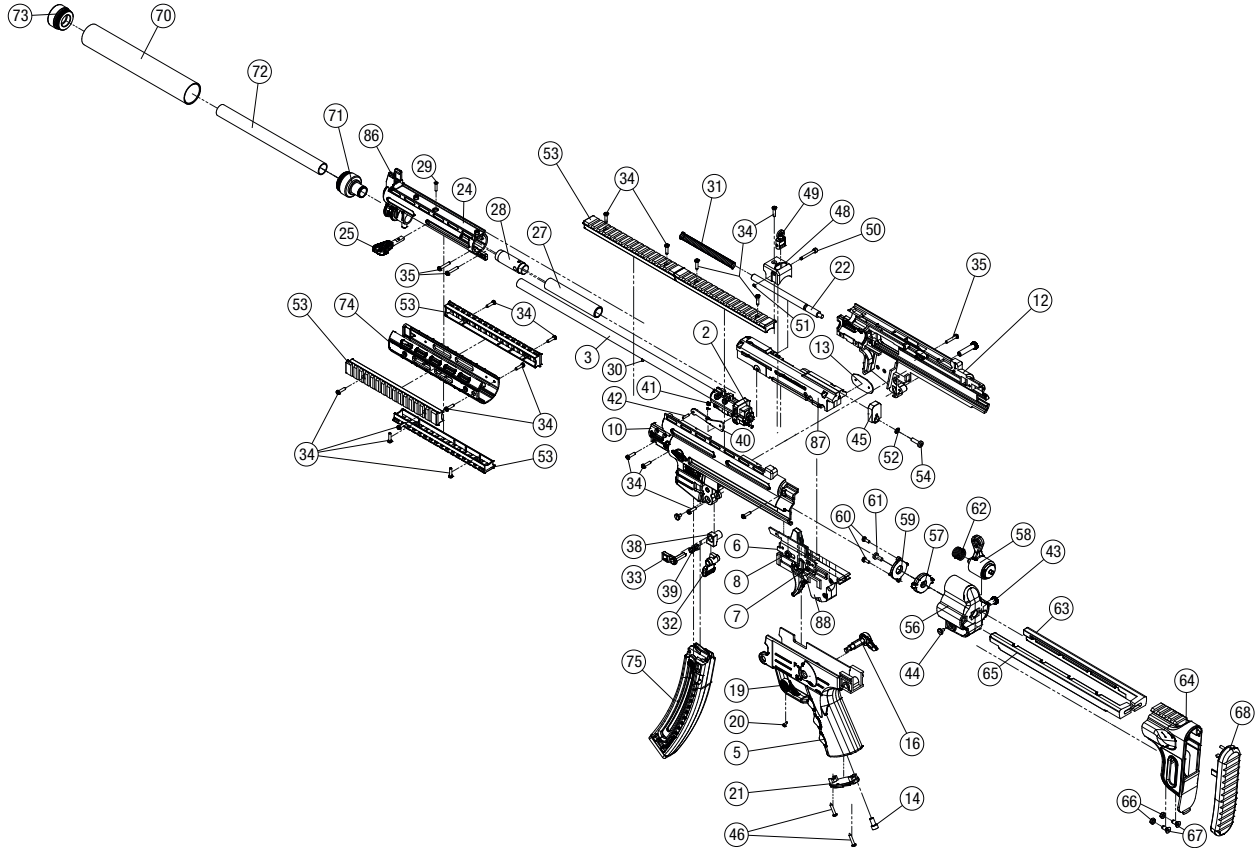
EXPLOSIONSZEICHNUNG / ERSATZTEILE

EN

DE

FR

ES



GSG-16 CAL. .22

1	GSG-16	23		45	Rastschieber	67	Schraube
2	Laufblock	24	Front Sight Base	46	Griffschalenschraube	68	Schaftkappe
3	Lauf	25	Spannhebel	47	Kimme GSG-16	69	
4		26		48	Aufnahme für Lochkimme	70	Laufverkleidung
5	GSG-16 Griffstück	27	Spannrohr (Hinterteil)	49	Lochkimme	71	Endstück
6	Sicherungsblech	28	Spannrohr (Vorderteil)	50	Visier-Seitenschraube	72	Reduzierrohr
7	Scheibe	29	Schraube	51	Sicherungsscheibe	73	Mündungsstück
8	Scheibe	30	Gewindestift	52	Federring	74	Vorderschaft
9		31	Feder	53	Picatinny Schiene	75	Magazin
10	Außengehäuse links	32	Magazinalteknopf	54	Rastschieberschraube	76	
11		33	Magazinalhalter	55	GSG-16 Schiebeschaft	77	
12	Außengehäuse rechts	34	Thermoplastschraube	56	Kappe für Schiebeschaft	78	
13	Einlegeplättchen für Gehäusehälfte	35	Thermoplastschraube	57	Arretierscheibe	79	
14	Griffschraube	36		58	Hebel für Schiebeschaft	80	
15		37		59	Anschlagscheibe	81	
16	Sicherungshebel rechts	38	Gegenlager	60	Schraube	82	
17		39	Magazinfeder	61	Schraube	83	
18		40	Verschlussfanghebel	62	Feder	84	
19	Sicherungshebel links	41	Feder	63	Holm rechts	85	
20	Schraube	42	Zylinderstift	64	Magazine Catch for Sliding Stock	86	Standard Korn
21	Abdeckung	43	Schaftbolzen	65	Holm links	87	Verschlussgehäuse
22	Führungssachse	44	Schaftschraube	66	Mutter	88	Trigger System Receiver

GSG-16 CAL. .22



GERMAN SPORT GUNS



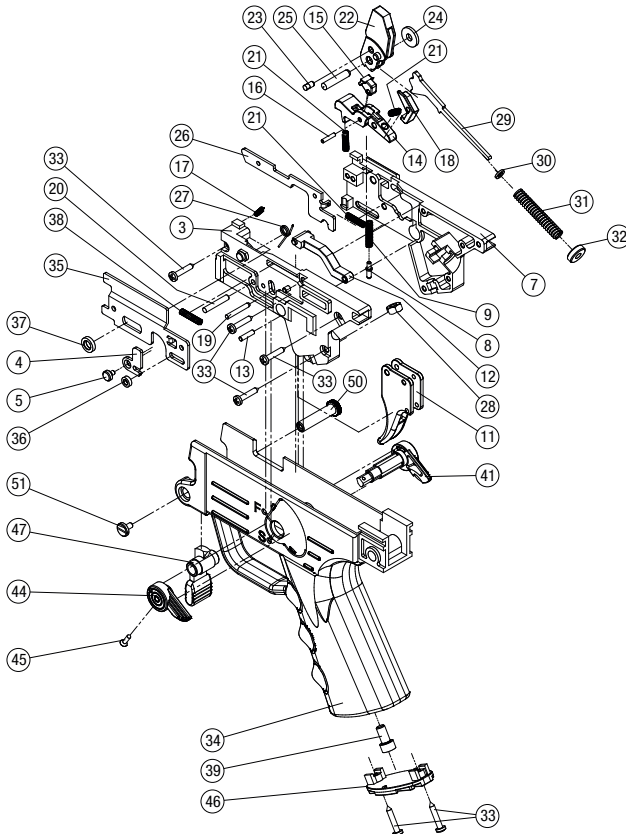
EXPLOSIONSZEICHNUNG / ERSATZTEILE

EN

DE

FR

ES

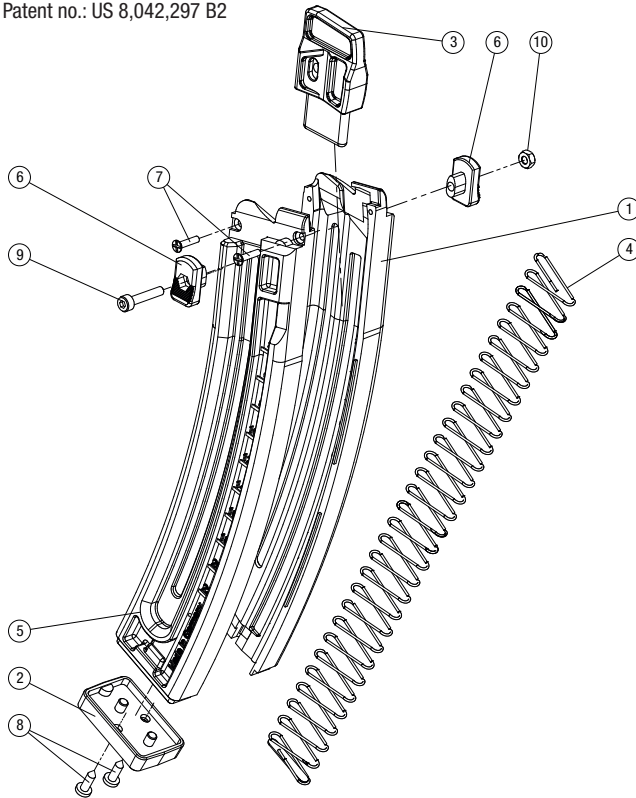


1		25	Stift für Schlaghebel
2		26	Magazinsicherung
3	Systemgehäuse links	27	Rückstellfeder
4	Wippe	28	Mutter
5	Bolzen für Wippe	29	Schlagstange
6		30	Scheibe
7	Systemgehäuse rechts	31	Feder
8	Bolzen	32	Führungsscheibe
9	Feder	33	Schraube
10		34	Griffstück GSG 16
11	Abzug	35	Sicherungsblech
12	Fallsicherung	36	Scheibe
13	Zylinderstift	37	Scheibe
14	Abzugsbügel	38	Feder
15	Sicherungsrasten	39	Schraube
16	Schraube	40	
17	Feder	41	Sicherungsflügel rechts
18	Unterbrecher	43	
19	Zylinderstift	44	Sicherungsflügel links
20	Zylinderstift	45	Schraube
21	Feder	46	Abdeckung
22	Schlaghebel	47	Magazinriegelung
23	Paßkerbstift	50	Verbindungsstift
24	Scheibe	51	Schraube

GSG-16 CAL. .22

Magazin

Patent no.: US 8,042,297 B2



- | | |
|----|----------------------|
| 1 | Magazinhälfte rechts |
| 2 | Magazinschuh |
| 3 | Zuführung |
| 4 | Feder |
| 5 | Magazinhälfte links |
| 6 | Magazinknopf |
| 7 | Thermoplastschraube |
| 8 | Schraube |
| 9 | Schraube |
| 10 | Mutter |

INTRODUCTION

EN

DE

FR

ES



CONSIGNES DE SÉCURITÉ _____ 46-47



DESCRIPTION _____ 48-49, 64-67



DONNÉES TECHNIQUES _____ 50



MANIEMENT ET UTILISATION _____ 51-77



SOIN ET ENTRETIEN _____ 58-61



AVERTISSEMENT

UNE PROTECTION DES YEUX EST NÉCESSAIRE ! PORTEZ DES LUNETTES DE SÉCURITÉ APPROPRIÉES (LUNETTES DE TIR) !



CONSIGNES DE SÉCURITÉ



AVERTISSEMENT

LE NON-RESPECT DES CONSIGNES ET RECOMMANDATIONS INSCRITES DANS CETTE NOTICE PEUT ENTRAÎNER DES BLESSURES CORPORALES GRAVES (TELLES QUE DES BLESSURES AU VISAGE, AUX YEUX, AUX OREILLES, LA CÉCITÉ, LA SURDITÉ), VOIRE LA MORT.

- N'utilisez jamais l'arme sous l'influence de l'alcool ou de drogues, si vous êtes malade ou souffrez d'autres troubles ; ceci peut porter atteinte à votre faculté de jugement et à vos réflexes.
- Avant d'utiliser l'arme, assurez-vous d'avoir bien compris toutes ses fonctions et d'être pleinement conscient des dangers qui pourraient en résulter dans le cas contraire.
- Considérez l'arme toujours comme chargée et prête à tirer (sûreté déchargée) jusqu'à ce que vous vous soyez convaincu du contraire.
- Veillez à toujours pointer la bouche de l'arme dans une direction sûre lorsque vous la manipulez. Est considérée comme une direction sûre une zone dans laquelle ne se trouve(nt) aucun être humain (y compris vous-même), aucun animal et aucun objet sur lequel vous n'avez pas l'intention de tirer.
- Ne dirigez jamais le pistolet vers des portes, des vitres, des murs, du béton, des pierres ou des surfaces planes (l'eau comprise). Un projectile peut perforer ces éléments ou être dévié dans une direction peu sûre.
- Ne vous fiez jamais aux mécanismes de sécurité et manipulez toujours votre arme comme si les mécanismes de sécurité ne fonctionnaient pas. Les mécanismes de sécurité ne remplacent pas une manipulation prudente et correcte de l'arme.
- Ne tirez jamais avec un pistolet dans lequel de l'eau, du sable, des impuretés ou d'autres corps étrangers ont pénétré.
- Ne rangez jamais une arme chargée. Déchargez toujours l'arme directement

CONSIGNES DE SÉCURITÉ

- après le tir, avant de déposer l'arme, de la mettre dans son étui ou de la remettre à une autre personne habilitée.
- Ne conservez jamais l'arme chargée, mais enlevez le magasin et vérifiez qu'aucune cartouche ne se trouve dans la chambre du canon.
 - Ne laissez jamais l'arme entre les mains d'une personne qui n'est pas dûment familiarisée avec les consignes de sécurité et avec le maniement de l'arme par la lecture de ce mode d'emploi.
 - Ne laissez jamais l'arme sans surveillance et protégez-la contre tout accès par des personnes non autorisées.
 - Conservez toujours l'arme et la munition séparément et vérifiez que ni l'un ni l'autre ne peuvent parvenir entre les mains de personnes non habilitées ou d'enfants.
 - Ne placez pas le doigt sur la détente, sauf lors du tir.
 - Veillez à toujours utiliser un pare-balles adapté à la cible ; ne tirez jamais vers le ciel.
 - Vérifiez que vous-même et toutes les personnes près de vous portent une protection des oreilles (casque de tir) et des yeux (lunettes de tir).
 - Lors des séances de tir dans des stands de tir fermés, veillez à une ventilation suffisante.
 - N'essayez jamais de traverser un obstacle, un fleuve, une clôture ou quelque chose de similaire avec une arme chargée.
 - Tenez vos doigts éloignés des pièces mobiles, telles que la partie exposée de la culasse dans l'ouverture d'éjection, la poignée de chargement et la bouche de l'arme.
 - Utilisez pour votre arme uniquement des munitions usuelles du commerce fabriquées en conformité avec les prescriptions des organisations de normalisation C.I.P. ou SAAMI. N'utilisez jamais de munitions non-standardisées, reconditionnées/rechargées ou chargées à la main.
- N'utilisez pas de munitions déformées de quelque façon que ce soit ou déformées lors d'un dysfonctionnement de l'arme.
 - Si vous remarquez un dysfonctionnement quelconque (p.ex. un défaut d'extraction, un défaut d'alimentation, un défaut d'éjection ou un coincement de douille), cessez le tir et déchargez le pistolet.
 - Au cas où un projectile ne sortirait pas du canon, en raison d'une cartouche non chargée ou insuffisamment chargée, vous le remarqueriez par un recul absent ou exceptionnellement faible et/ou par une flamme absente ou faible à la sortie de la bouche du canon. Dans chacun de ces cas, cessez immédiatement le tir jusqu'à ce que l'arme ait été examinée et le canon libéré du projectile coincé par un armurier professionnel. N'essayez jamais de dégager une balle coincée en tirant un autre coup de canon !
 - En cas d'un défaut de mise à feu, attendez au moins une minute en continuant à pointer l'arme prête à tirer sur votre cible ou dans une direction sûre avant de procéder au déchargement de l'arme.

AVERTISSEMENT

N'UTILISEZ CETTE ARME DE POING QUE LORSQUE LA CROSSE EST CORRECTEMENT MONTÉE ! L'ARME EST CONÇUE POUR ÊTRE ACTIONNÉE UNIQUEMENT AVEC LA CROSSE MONTÉE. LA CROSSE NE DOIT ÊTRE DÉMONTÉE QUE POUR LE NETTOYAGE OU POUR PROCÉDER À DES RÉPARATIONS ; AVANT TOUTE RÉUTILISATION DE L'ARME, LA CROSSE DOIT ÊTRE REMONTÉE. UNE UTILISATION DE L'ARME SANS QUE LA CROSSE SOIT CORRECTEMENT MONTÉE EST SUSCEPTIBLE DE PROVOQUER DES BLESSURES, VOIRE LA MORT. DANS TOUS CES CAS, LE FABRICANT NE SAURAIT ÊTRE TENU RESPONSABLE. VEUILLEZ NOTER QUE TOUTE MODIFICATION APPORTÉE À L'ARME PAR RAPPORT À L'ÉTAT DE LIVRAISON ENTRAÎNERAIT LA PERTE DE LA GARANTIE AINSI QUE LA PERTE DE TOUTES PRÉTENTIONS EN RESPONSABILITÉ TANT ENVERS LE FABRICANT QU'ENVERS L'IMPORTATEUR.

GSG-16 CAL. .22



DÉSIGNATION DES COMPOSANTS

EN

DE

FR

ES

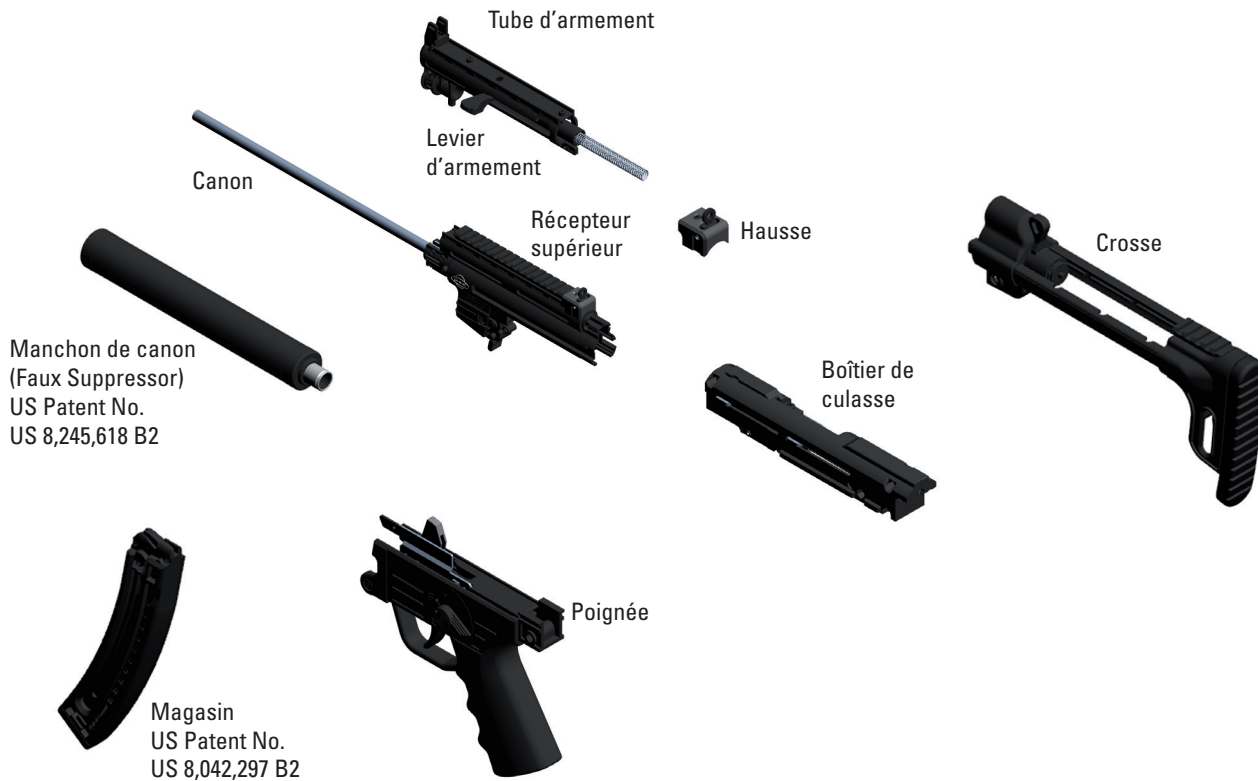


* Magasin non compris dans la livraison

GSG-16 CAL. .22



MODULES



GSG-16 CAL. .22

DONNÉES TECHNIQUES

EN

Calibre .22 Long Rifle HV

DE

Longueur totale 34.18 inch

FR

Longueur totale avec la crosse rentrée

ES

Hauteur totale avec magasin 10.32 inch

Hauteur totale sans magasin 8.59 inch

Largeur totale 2.86 inch

Longueur du canon 16.29 inch

Longueur du pas des rayures 15.98 inch

Nombre des rayures 6

Longueur de la visée 14.12 inch

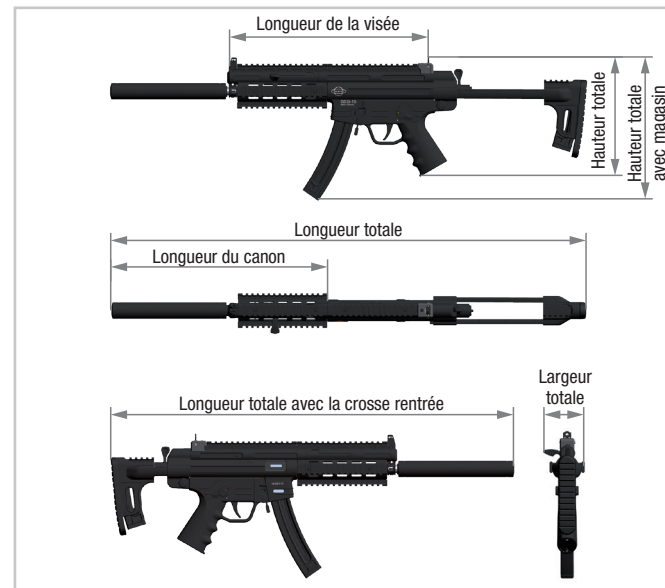
Poids de l'arme avec magasin vide 5.84 lbs.

Poids de l'arme sans magasin 5.62 lbs.

Poids du magasin vide 4 oz

Poids de la détente 5.50 lbs.

Capacité du magasin 22/10*



*optional

DISPOSITIFS DE SÉCURITÉ (SÛRETÉS) | CHARGEMENT DU MAGASIN

⚠ AVERTISSEMENT

NE TRANSPORTEZ JAMAIS L'ARME LORSQU'ELLE EST ARMÉE ET/OU CHARGÉE. L'IDÉAL SERAIT DE L'ARMER ET DE LA CHARGER JUSTE AVANT LE TIR.



1. Sûreté

Remarque : Lorsque le magasin est retiré, la détente est bloquée et donc sécurisée.

⚠ ATTENTION

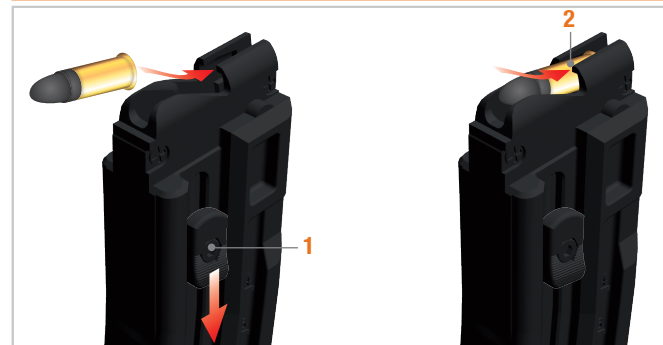
UNE GOUPILLE DE SÉCURITÉ DISPOSÉE DEVANT LE PERCUTEUR EMPÊCHE LE PERCUTEUR DE FRAPPER LA CARTOUCHE. LORSQUE LA DÉTENTE EST ACTIONNÉE, LA GOUPILLE DE SÉCURITÉ SE DÉPLACE VERS L'AVANT ET LIBÈRE LE PERCUTEUR.

⚠ AVERTISSEMENT

NE VISEZ JAMAIS DES OBJETS SUR LESQUELS VOUS N'AVEZ PAS L'INTENTION DE TIRER. NE VISEZ JAMAIS AVEC L'ARME SUR DES PERSONNES OU DES ANIMAUX.

⚠ AVERTISSEMENT

UTILISEZ POUR VOTRE ARME UNIQUEMENT DES MUNITIONS USUELLES DU COMMERCE ASSORTIES AU CALIBRE DE L'ARME ET FOURNIES DANS LEURS EMBALLAGES ORIGINAUX. LA SPÉCIFICATION DU CALIBRE EST MARQUÉE SUR L'ARME. UTILISEZ POUR VOTRE ARME UNIQUEMENT DES MUNITIONS USUELLES DU COMMERCE FABRIQUÉES EN CONFORMITÉ AVEC LES PRESCRIPTIONS DES ORGANISATIONS DE NORMALISATION C.I.P. OU SAAMI. N'UTILISEZ JAMAIS DE MUNITIONS NON-STANDARDISÉES, RECONDITIONNÉES/RECHARGÉES OU CHARGÉES À LA MAIN.



1. Tirez le bouton d'alimentation du magasin vers le bas **1** et insérez la cartouche **2** (comme montré dans la figure) jusqu'à la butée arrière.

Remarque : Ne chargez dans le magasin que le nombre de cartouches que vous avez l'intention de tirer (max. 22//10* cartouches).



CHARGEMENT DE L'ARME

EN

DE

FR

ES

⚠ AVERTISSEMENT

PRENEZ L'HABITUDE DE TOUJOURS LAISSER L'ARME SÉCURISÉE (SÛRETÉ ENCLENCHÉE), DÉARMÉE ET SÉCURISÉE JUSQU'À CE QUE VOUS SOYEZ PRÊT À TIRER.

⚠ AVERTISSEMENT

- LE LEVIER DE SÛRETÉ DOIT TOUJOURS ÊTRE PLACÉ SUR « S » (SÛRETÉ ENCLENCHÉE). VEILLEZ À NI CHARGER NI DÉCHARGER L'ARME À L'INTÉRIEUR D'UN VÉHICULE OU DANS UN AUTRE ESPACE RESTREINT (SAUF DANS UN STAND DE TIR CONÇU À CET EFFET). AVANT LE CHARGEMENT, ESSUYEZ TOUJOURS L'EXCÈS DE GRAISSE ET D'HUILE ET VÉRIFIEZ VISUELLEMENT L'ABSENCE DE CORPS ÉTRANGERS DANS LE CANON.
- POINTEZ LA BOUCHE DE L'ARME DANS UNE **DIRECTION SÛRE**.
- NE METTEZ PAS LE DOIGT SUR LA DÉTENTE, MAIS MAINTENEZ-LE EN DEHORS DU PONTET. CHARGEZ L'ARME EN INSÉRANT LE MAGASIN JUSTE AVANT LE TIR.
- TIREZ LE LEVIER D'ARMEMENT VERS L'ARRIÈRE POUR CHARGER LA PREMIÈRE CARTOUCHE. **NE VOUS FIEZ JAMAIS AUX MÉCANISMES DE SÉCURITÉ. LES MÉCANISMES DE SÉCURITÉ NE REMPLACENT PAS UNE MANIPULATION PRUDENTE ET CORRECTE DE L'ARME.**
- GARDEZ TOUJOURS L'ARME À LA MAIN TANT QU'ELLE N'EST PAS DÉCHARGÉE.



1. Insérez le magasin chargé **1** et vérifiez qu'il est complètement enclenché.



2. Tirez le levier d'armement **2** vers l'arrière jusqu'à la butée, puis faites-le glisser en avant.

TIRER



1. Mettez le levier de sûreté dans la position « F » (sûreté dégagee). L'arme est maintenant prête à tirer. Visez dans une direction sûre et actionnez la détente **1**. **Remarque:** Après le dernier coup, la culasse et retenue en position ouverte.

RECHARGMENT PENDANT LE TIR

AVERTISSEMENT

- METTEZ LE LEVIER DE SÛRETÉ DANS LA POSITION « S » (SÛRETÉ ENCLENCHÉE).
- VEILLEZ À TOUJOURS MAINTENIR L'ARME POINTÉE DANS UNE DIRECTION SÛRE.
- ENLEVEZ LE DOIGT DE LA DÉTENTE.



- Appuyez sur le bouton de retenue/dégagement du magasin **1** et enlevez le magasin.
- Insérez le magasin chargé et vérifiez qu'il est complètement enclenché.
- Tirez le levier d'armement vers l'arrière, puis faites-le glisser en avant.
- L'arme est maintenant rechargée et armée.

AVERTISSEMENT

- N'UTILISEZ L'ARME QUE LORSQUE LA CROSSE EST CORRECTEMENT MONTÉE.
- LORS DU TIR, VEILLEZ À CE QUE VOS DOIGTS, VOS MAINS OU D'AUTRES PARTIES DU CORPS NE SE TROUVENT PAS DEVANT, AU-DESSUS OU À CÔTÉ DE LA BOUCHE DU CANON OU DE LA FENÊTRE D'ÉJECTION DES DOUILLES.
- NE PERMETTEZ JAMAIS À DES PERSONNES OU À D'AUTRES CRÉATURES VIVANTES D'ÊTRE PRÉSENTES DANS UN ENDROIT OÙ ELLES RISQUERAIENT D'ÊTRE TOUCHÉES PAR LES DOUILLES DE CARTOUCHES ÉJECTÉES.
- LORS DU TIR, PORTEZ TOUJOURS UNE PROTECTION DES OREILLES (CASQUE DE TIR) ET DES YEUX (LUNETTES DE TIR). INDIQUEZ AUX PERSONNES QUI SE TROUVENT PRÈS DE VOUS QU'ELLES DOIVENT ÉGALEMENT PORTER UNE PROTECTION DES OREILLES (CASQUE DE TIR) ET DES YEUX (LUNETTES DE TIR).
- INTERROMPEZ LE TIR IMMÉDIATEMENT ET DÉCHARGEZ L'ARME LORSQUE VOUS SUPPOSEZ QU'UNE CARTOUCHE N'A PAS ÉTÉ CORRECTEMENT ACHÉMINÉE, QU'UNE DOUILLE EST COINCÉE, QU'UN PROJECTILE POURRAIT AVOIR OBTURÉ LE CANON OU QU'UN TIR EST ENTENDU OU PERÇU COMME ÉTANT FAIBLE OU ANORMAL.
- AU CAS OÙ UN PROJECTILE BLOQUÉ OBTURERAIT LE CANON, N'ESSEYERZ JAMAIS DE LE SORTIR EN TIRANT UNE AUTRE CARTOUCHE.

ATTENTION

NE POSEZ PAS LA MAIN LIBRE SUR LE MAGASIN, CAR CELA POURRAIT ENTRAÎNER DES DYSFONCTIONNEMENTS. TENEZ L'ARME PAR LE GARDE-MAIN.



DÉCHARGEMENT DE L'ARME - MAGASIN NON VIDE

EN

DE

FR

ES

AVERTISSEMENT

GARDEZ TOUJOURS L'ARME À LA MAIN TANT QU'ELLE N'EST PAS DÉCHARGÉE.

AVERTISSEMENT

- LORSQU'E L'ARME EST CHARGÉE, UNE CARTOUCHE SE TROUVE DANS LA CHAMBRE.
- NE PLACEZ JAMAIS VOTRE MAIN AU-DESSUS DE LA FENÊTRE D'ÉJECTION DES CARTOUCHES.
- POINTEZ LA BOUCHE DE L'ARME DANS UNE DIRECTION SÛRE.
- METTEZ LE LEVIER DE SÛRETÉ DANS LA POSITION « S » (SÛRETÉ ENCLENCHÉE).



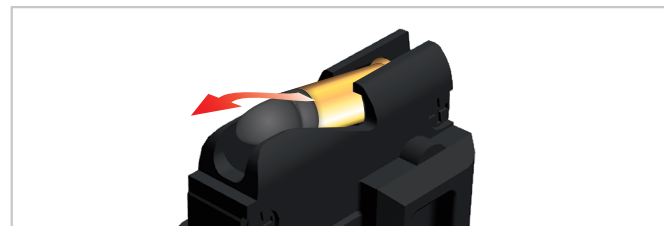
1. Enclenchez la sûreté de l'arme et appuyez sur le bouton de retenue/dégagement du magasin 1 pour enlever le magasin.



2. Tirez le levier d'armement vers l'arrière jusqu'à la butée, la cartouche est alors éjectée. Vérifiez (visuellement et manuellement avec des moyens auxiliaires adaptés) que la cartouche a été éjectée et qu'aucune cartouche ne se trouve plus dans la chambre. Faites reglisser le levier d'armement en avant.

AVERTISSEMENT

L'ARME EST MAINTENANT DÉCHARGÉE, MAIS PAS DÉSARMÉE.



3. Videz le magasin. Ramassez la cartouche éjectée et nettoyez l'arme.

DÉSARMEMENT DE L'ARME - MAGASIN VIDE



1. Enclenchez la sûreté de l'arme et appuyez sur le bouton de retenue/dégagement du magasin **1** pour enlever le magasin. Après la dernière cartouche, la fenêtre d'éjection des douilles doit être en position ouverte. Vérifiez (visuellement et manuellement avec des moyens auxiliaires adaptés) que la cartouche a été éjectée et que la chambre à cartouches est vide.

AVERTISSEMENT

L'ARME EST MAINTENANT DÉCHARGÉE, MAIS PAS DÉARMÉE.

DÉSARMEMENT DE L'ARME

AVERTISSEMENT

VÉRIFIEZ QU'AUCUNE CARTOUCHE NE SE TROUVE PLUS DANS LE CANON OU DANS LA CHAMBRE À CARTOUCHES.

Désarmer :

1. Enlevez le magasin vide.
2. PTirez le levier d'armement vers l'arrière, puis faites-le reglisser en avant. La culasse doit « bondir » simultanément vers l'avant de façon à ce que la fenêtre d'éjection des douilles se ferme.
3. Insérez un magasin vide.
4. Mettez le levier de sûreté dans la position « F » (arme prête au tir), pointez l'arme dans une direction sûre et actionnez la détente.

ATTENTION

ACTIONNEZ LA DÉTENTE UNIQUEMENT LORSQU'UN MAGASIN VIDE EST INSÉRÉ ET QU'AUCUNE CARTOUCHE NE SE TROUVE PLUS DANS LA CHAMBRE À CARTOUCHES.

5. Le percuteur saute vers l'avant, l'arme passe alors à l'état désarmé.
6. Ramenez le levier de sûreté vers la position « S » (sûreté enclenchée) et enlevez le magasin vide.

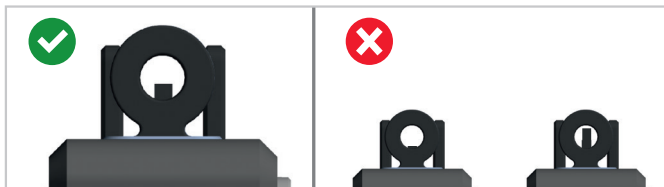
AVERTISSEMENT

SI, APRÈS CETTE PROCÉDURE, VOUS TIREZ DE NOUVEAU LE LEVIER D'ARMEMENT VERS L'ARRIÈRE, VOUS RÉARMEZ L'ARME, CE QUI SIGNIFIE QUE L'ARME EST DE NOUVEAU PRÊTE AU TIR !

SYSTÈME DE VISÉE

AVERTISSEMENT

NE VISEZ JAMAIS DES OBJETS SUR LESQUELS VOUS N'AVEZ PAS L'INTENTION DE TIRER. NE VISEZ JAMAIS AVEC L'ARME SUR DES PERSONNES OU DES ANIMAUX.

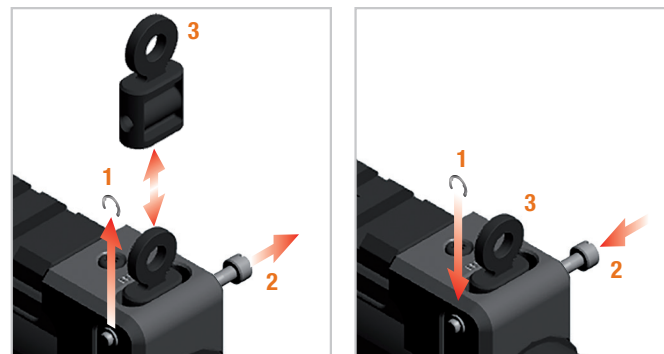
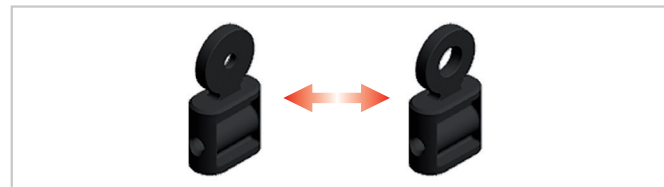


1. Viser

RÉGLAGE DU SYSTÈME DE VISÉE

AVERTISSEMENT

AVANT DE PROCÉDER À N'IMPORTE QUEL RÉGLAGE, VEILLER À METTRE LE LEVIER D'ARMEMENT DANS LA POSITION « S » (SÛRETÉ ENCLÉCHÉE) ET POINTEZ LA BOUCHE DE L'ARME DANS UNE DIRECTION SÛRE.



2. Remplacement de la hausse : Enlevez la rondelle de sécurité 1 et la vis de visée 2. Remplacez la hausse 3 et fixez-la au moyen de la rondelle de sécurité et de la vis de visée.

RÉGLAGE DE LA CROSSE



1. Appuyez sur le levier de crosse 1 (comme montré dans la figure) et réglez la crosse 2 comme souhaitée.

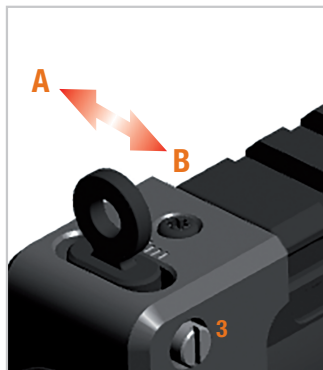
EN

DE

FR

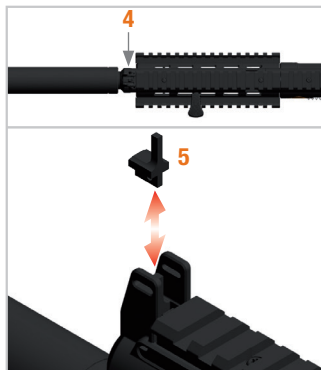
ES

🔫 RÉGLAGE DU SYSTÈME DE VISÉE



3. Réglage en dérive (gauche et droite) :

Si le point d'impact est décalé vers la gauche : Tournez la vis de visée **3** dans le sens contraire des aiguilles d'une montre et déplacez la hausse vers **A**. Si le point d'impact est décalé vers la droite : Tournez la vis de visée **3** dans le sens des aiguilles d'une montre et déplacez la hausse vers **B**.



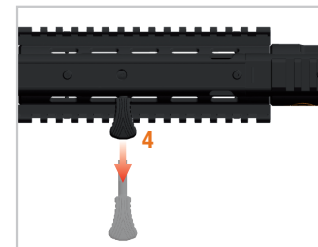
4. Réglage en site (hauteur) :

Pour remplacer le guidon, desserrez la vis de fixation **4** et remplacez le guidon **5** de la manière suivante :
Si le point d'impact est trop haut, installez un guidon plus long pour baisser le tir.
Si le point d'impact est trop bas, installez un guidon plus court pour monter le tir.
Resserrez la vis de fixation **3**.

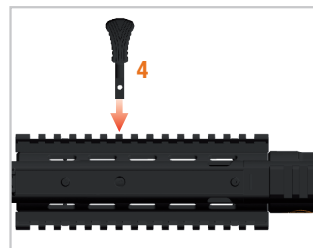
🔫 REMPLACEMENT DU LEVIER D'ARMEMENT



1. Desserrez et enlevez les vis du rail de montage **1** et le rail de montage **2** (comme montré dans la figure). Desserrez et enlevez la vis du levier d'armement **3**.



2. Tirez le levier d'armement **4** hors de l'arme.



3. Insérez de l'autre côté le levier d'armement **4**.



4. Fixez le levier d'armement au moyen de la vis du levier d'armement **3** et installez le rail de montage **2** à l'aide des vis du rail de montage **1**.

ENTRETIEN – DÉMONTAGE POUR LE NETTOYAGE

EN

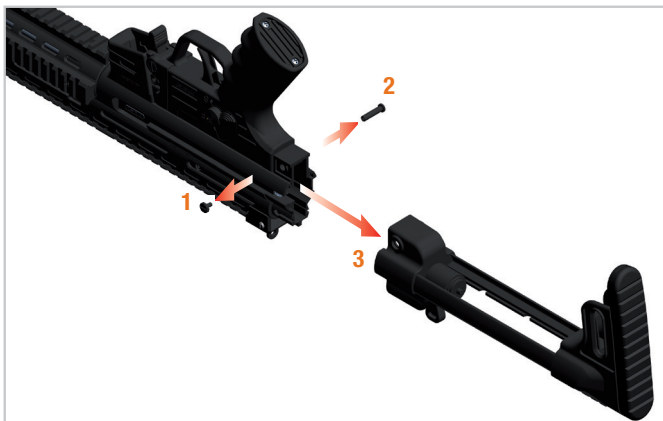
DE

FR

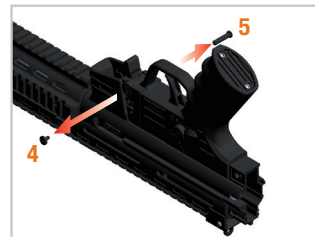
ES

AVERTISSEMENT

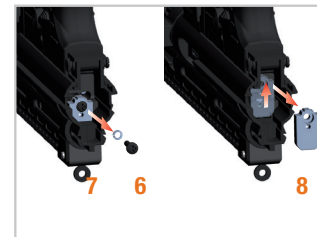
- METTEZ LE LEVIER DE SÛRETÉ DANS LA POSITION « S » (SÛRETÉ ENCLENCHÉE).
- VEILLEZ À TOUJOURS MAINTENIR L'ARME POINTÉE DANS UNE DIRECTION SÛRE.
- ENLEVEZ LE DOIGT DE LA DÉTENTE.
- VÉRIFIEZ QUE L'ARME EST DÉCHARGÉE ET DÉSARMÉE.
- ASSUREZ-VOUS QUE LA CHAMBRE À CARTOUCHES EST VIDE.



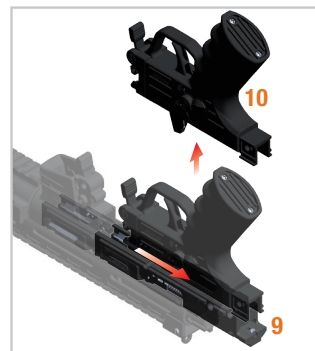
1. Renversez l'arme (en orientant son canon vers le bas) et pointez la bouche de l'arme dans une direction sûre. Desserrez la vis 1 et enlevez le boulon 2. Retirez la crosse en la tirant vers l'arrière.



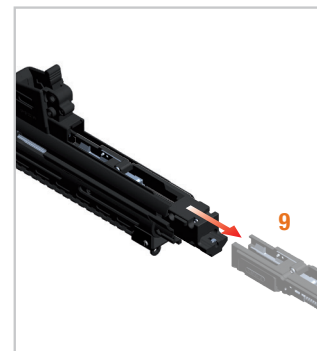
2. Desserrez la vis 4 et enlevez le boulon 5.



3. Desserrez et enlevez la vis 6 et l'anneau élastique 7. Faites glisser la pièce d'arrêt 8 légèrement vers le haut et retirez-le vers l'arrière.



4. Faites glisser légèrement vers l'arrière le boîtier de culasse 9 avec la poignée 10, puis enlevez la poignée.



5. Retirez vers l'arrière le boîtier de culasse 9 de l'arme.

ENTRETIEN - NETTOYAGE

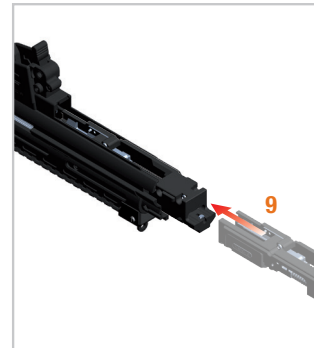
ATTENTION

- ABSTENEZ-VOUS DE DÉMONTER ENCORE PLUS L'ARME ! LE NETTOYAGE PEUT ÊTRE EFFECTUÉ SANS AUCUN DÉMONTAGE SUPPLÉMENTAIRE. TOUT DÉMONTAGE SUPPLÉMENTAIRE NE DEVRAIT ÊTRE EFFECTUÉ QUE PAR DU PERSONNEL QUALIFIÉ.
- VEILLEZ À N'UTILISER NI DE BROSSES EN ACIER NI D'AUTRES PRODUITS DURS OU ABRASIFS POUR NETTOYER LE CANON OU LES AUTRES PIÈCES MÉTALLIQUES, CAR CEUX-CI RISQUERAIENT D'ENDOMMAGER LES SURFACES INTÉRIEURES DU CANON. N'UTILISEZ QUE DES TIGES DE NETTOYAGE ET DES BROSSES ADAPTÉES AU CALIBRE DE L'ARME.
- LES SOLVANTS RISQUERAIENT D'ENDOMMAGER LA SURFACE DE L'ARME. AVANT D'UTILISER UN QUELCONQUE PRODUIT DE NETTOYAGE OU SOLVANT, LISEZ TOUJOURS LES INSTRUCTIONS DU FABRICANT.

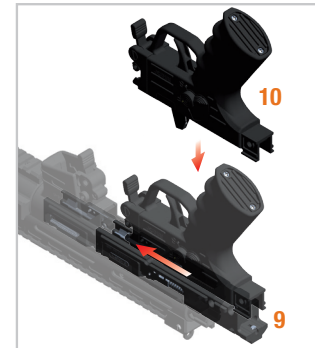
6. Étapes à suivre :

Humidifiez la tige de nettoyage fournie avec l'arme avec de l'huile pour armes et introduisez-la dans le canon en passant par la chambre. Enlevez soigneusement tous les résidus de poudre et les saletés du canon et de la chambre à cartouches. Essuyez les résidus de poudre et l'huile se trouvant dans l'alésage du canon et dans la chambre à cartouches au moyen de chiffons de nettoyage. Huilez légèrement la chambre à cartouches.

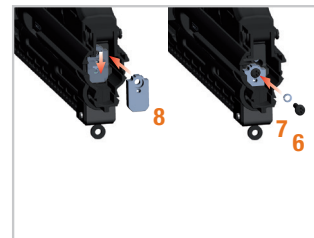
ENTRETIEN - REMONTAGE APRÈS LE NETTOYAGE



7. Faites glisser le boîtier de culasse **9** dans l'arme jusqu'à la moitié environ.



8. Remettez la poignée **10** sur le boîtier de culasse **9**. Ensuite, faites glisser le boîtier de culasse et la poignée dans l'arme jusqu'à la butée.



9. Installez la pièce d'arrêt **8** et fixez-la au moyen de la vis **6** et de l'anneau élastique **7**.



10. Remettez le boulon **5** en place et fixez-le avec la vis **4**.

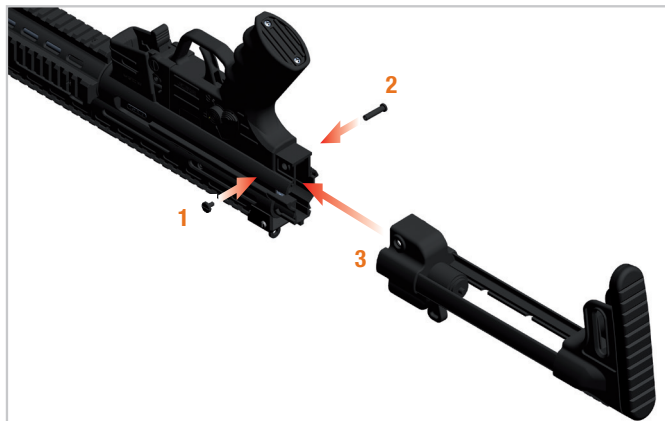
ENTRETIEN - REMONTAGE APRÈS LE NETTOYAGE | CARE DE L'ARME

EN

DE

FR

ES



11. Faites regliser la crosse **3** dans l'arme (comme montré dans la figure) et fixez-la au moyen du boulon **2** et de la vis **1**.

! ATTENTION

- PRENEZ GARDE À CE QUE L'ARME SE TROUVE TOUJOURS DANS UN ÉTAT IMPECCABLE ET À CE QU'ELLE SOIT PARFAITEMENT FONCTIONNELLE.
- NETTOYEZ L'ARME APRÈS CHAQUE UTILISATION.
- NE MODIFIEZ OU NE RÉPAREZ JAMAIS VOUS-MÊME LES ÉQUIPEMENTS OU LES COMPOSANTS DE L'ARME.
- FAITES VÉRIFIER L'ÉTAT DE L'ARME UNE FOIS PAR AN PAR UN ARMURIER QUALIFIÉ CAR LES DÉFAUTS, L'USURE, LA CORROSION, ETC. NE SONT PAS TOUJOURS VISIBLES DE L'EXTÉRIEUR.
- POUR LES RÉPARATIONS ET TRAVAUX D'ENTRETIEN, NOUS VOUS RECOMMANDONS TOUTEFOIS DE RENVOYER L'ARME À VOTRE REVENDEUR QUI TIENNT TOUJOURS EN STOCK UNE GAMME COMPLÈTE DE PIÈCES DE RECHANGE.



! ATTENTION

LORS DE L'INSERTION DE LA POIGNÉE, LE RESSORT DU LEVIER D'ARRÊTOIR DE CULASSE **9** DOIT ÊTRE RAMENÉ À SA POSITION D'ORIGINE.

DÉPANNAGE - JAM REMOVAL

ATTENTION

UN ENTRETIEN DE L'ARME (NETTOYAGE ET INSPECTION) CONFORMÉMENT AUX CONSIGNES PERMET D'ÉVITER DES DYSFONCTIONNEMENTS. SI UN DYSFONCTIONNEMENT DEVAIT TOUTEFOIS SURVENIR PENDANT LE TIR, PROCÉDEZ ALORS DE LA FAÇON SUIVANTE :

AVERTISSEMENT

POINTEZ L'ARME DANS UNE DIRECTION SÛRE ET TENEZ VOS DOIGTS ÉLOIGNÉS DE LA DÉTENTE LORSQUE VOUS SUIVEZ LES ÉTAPES DÉCRITES CI-DESSOUS.



1. Enlevez le magasin.



2. Tirez le levier d'armement vers l'arrière jusqu'à la butée et maintenez-le dans cette position.



3. Vérifiez (visuellement ou avec un outil) qu'aucun projectile, aucune cartouche, aucune douille de cartouche ou aucun corps étranger ne se trouve ni dans l'alésage du canon ni dans la chambre à cartouches.

4. Si un projectile est coincé dans l'alésage, démontez l'arme et faites supprimer le blocage par un armurier qualifié à l'aide d'un outil approprié.
5. Retirez toutes les cartouches, toutes les douilles et tout corps étranger.
6. Nettoyez et lubrifiez l'arme et assemblez-la.
7. Faites inspecter l'arme par un armurier ou un mécanicien d'armes.



STOCKAGE, RANGEMENT ET TRANSPORT EN TOUTE SÉCURITÉ

EN

STOCKAGE ET RANGEMENT

DE

FR

ES

AVERTISSEMENT

- CONSERVEZ VOTRE FUSIL TOUJOURS NON CHARGÉ ET NETTOYÉ.
- STOCKEZ L'ARME TOUJOURS SÉPARÉE DE SES MUNITIONS ET SOUS CLÉ.
- LES ENFANTS OU DES PERSONNES NON EXPÉRIMENTÉES OU NON AUTORISÉES NE DOIVENT PAS AVOIR ACCÈS À L'ARME ET AUX MUNITIONS.

TRANSPORT

AVERTISSEMENT

- POUR VOTRE PROPRE SÉCURITÉ ET LA SÉCURITÉ D'AUTRUI, **NE TRANSPORTEZ L'ARME QUE LORSQU'ELLE EST COMPLÈTEMENT DÉCHARGÉE ET DÉSARMÉE.**
- NE TRANSPORTEZ JAMAIS UNE ARME DÉJÀ ARMÉE ET CONTENANT UNE CARTOUCHE DANS LA CHAMBRE.
- TRANSPORTEZ L'ARME SÉPARÉMENT DES MUNITIONS.
- VEILLEZ À RESPECTER TOUTES LES RÉGLEMENTATIONS EN VIGUEUR RELATIVES AU TRANSPORT DES ARMES À FEU.

GARANTIE

En cas de recours à la garantie, veuillez vous adresser à votre revendeur spécialisé.

Décrivez-lui le problème et joignez le bon d'achat.

MISE AU REBUT/ÉLIMINATION

Respectez rigoureusement toutes les réglementations légales nationales en vigueur relatives à la mise au rebut/à l'élimination des armes à feu.

ACCESSOIRES

Les accessoires assortis à l'arme sont disponibles à partir du site Web suivant : www.germansportguns.de

- Modèle d'arme (calibre, désignation)
- Numéro de série d'arme
- Numéro d'article et numéro de pièce

Les informations continues dans cette notice peuvent faire l'objet de modifications sans préavis. Veuillez visiter notre site Web www.germansportguns.de pour consulter la plus récente version téléchargeable de la notice et pour découvrir d'autres détails intéressants sur GSG et sur votre modèle.

GSG-16 CAL. .22

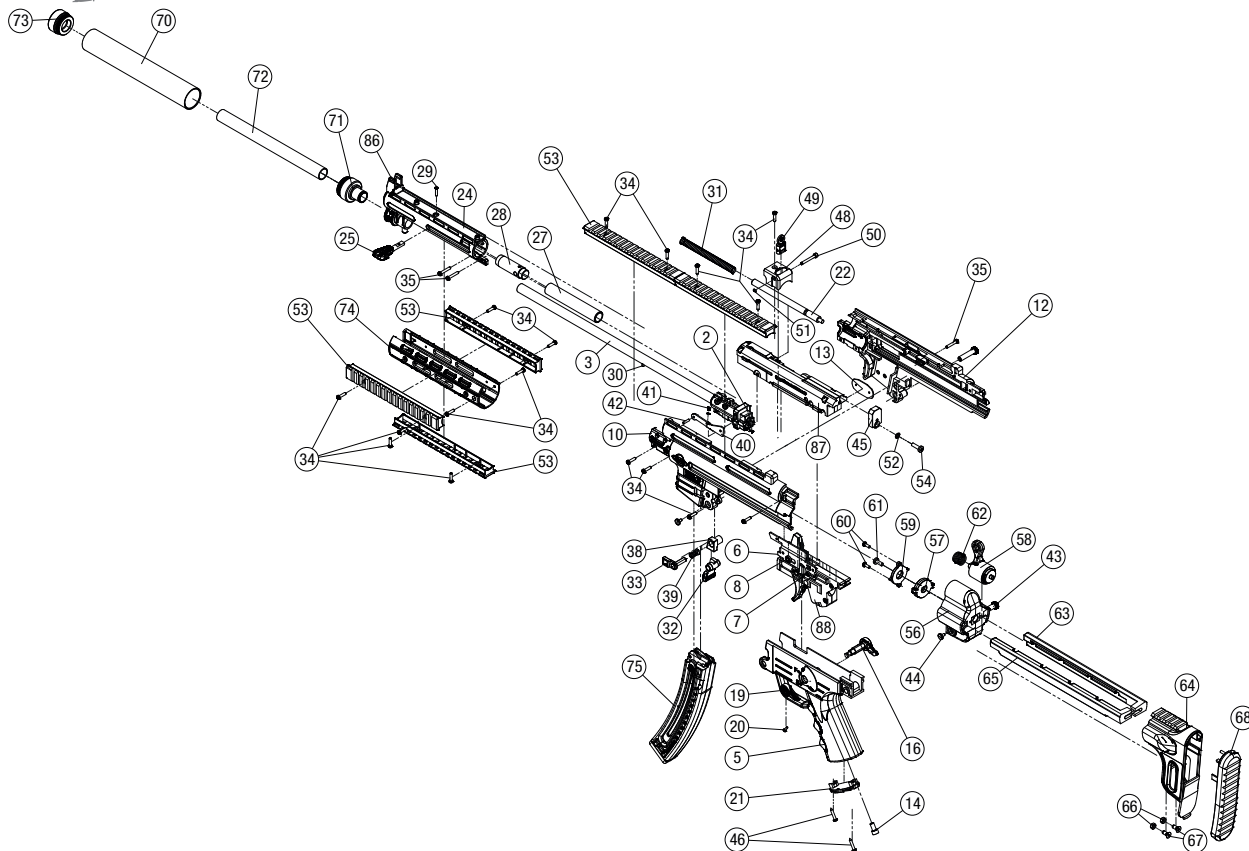
VUE ÉCLATÉE/PIÈCES DE RECHANGE

EN

DE

FR

ES



GSG-16 CAL. .22

1	GSG-16	23		45	Coulisseau d'encliquetage	67	Vis
2	Block canon	24	Support de guidon	46	Vis de calotte	68	Plaque de couche
3	Canon	25	Levier d'armement	47	Hausse GSG-16	69	
4		26		48	Support de hausse œilleton	70	Manchon de canon
5	GSG-16 Poignée	27	Tube d'armement (partie arrière)	49	Hausse œilleton	71	Embout inférieur
6	Pièce de sécurité	28	Tube d'armement (partie derrière)	50	Vis latérale de hausse	72	Manchon intérieur
7	Rondelle	29	Vis du Levier d'armement	51	Rondelle de sécurité	73	Embout extérieur
8	Rondelle	30	Vis sans tête avec six pans creux	52	Rondelle de sécurité	74	Devant
9		31	Ressort	53	Rail Picatinny	75	Chargeur
10	Boîtier extérieur (partie gauche)	32	Verrou de chargeur	54	Vis	76	
11		33	Arrêtoir de magasin	55	GSG-16 Crosse coulissante	77	
12	Boîtier extérieur (partie droite)	34	Vis thermoplastique	56	Capuchon pour crosse coulissante	78	
13	plaques d'insertion	35	Vis thermoplastique	57	Rondelle d'arrêt	79	
14	Vis de poignée	36		58	Levier	80	
15		37		59	Rondelle de butée	81	
16	Levier de sûreté (côté droit)	38	Contre-palier	60	Vis	82	
17		39	Ressort de l'Arrêtoir de chargeur	61	Vis	83	
18		40	Levier d'arrêtoir de culasse	62	Ressort	84	
19	Levier de sûreté (côté gauche)	41	Ressort du Levier d'arrêtoir de culasse	63	Bras de crosse (côté droit)	85	
20	Vis du Levier de sûreté	42	Goupille cylindrique	64	Support de magasin pour crosse coulissant	86	Guidon standard
21	Calotte	43	Verrou de crosse	65	Bras de crosse (côté gauche)	87	Culasse
22	Tige de guidage	44	Vis de crosse	66	Écrou	88	Système de détente

GSG-16 CAL. .22

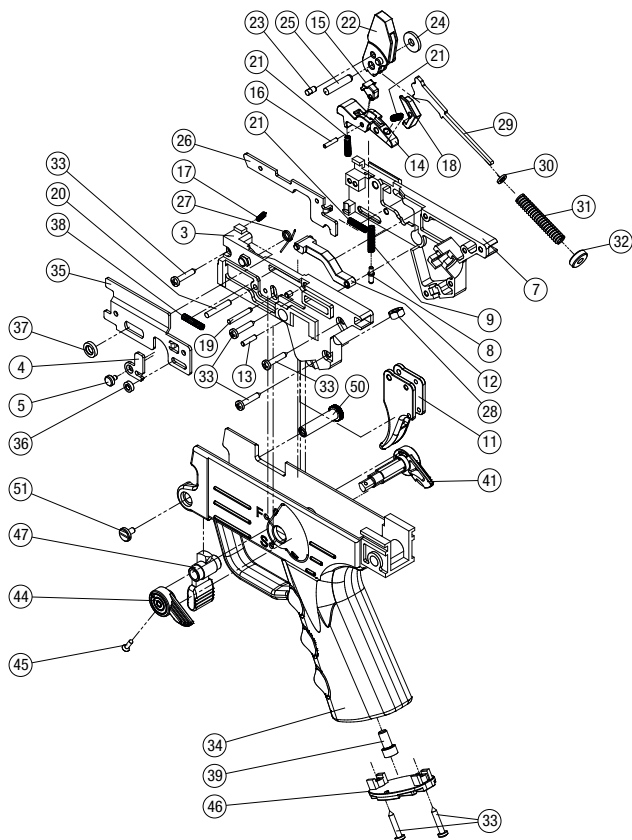
VUE ÉCLATÉE/PIÈCES DE RECHANGE

EN

DE

FR

ES

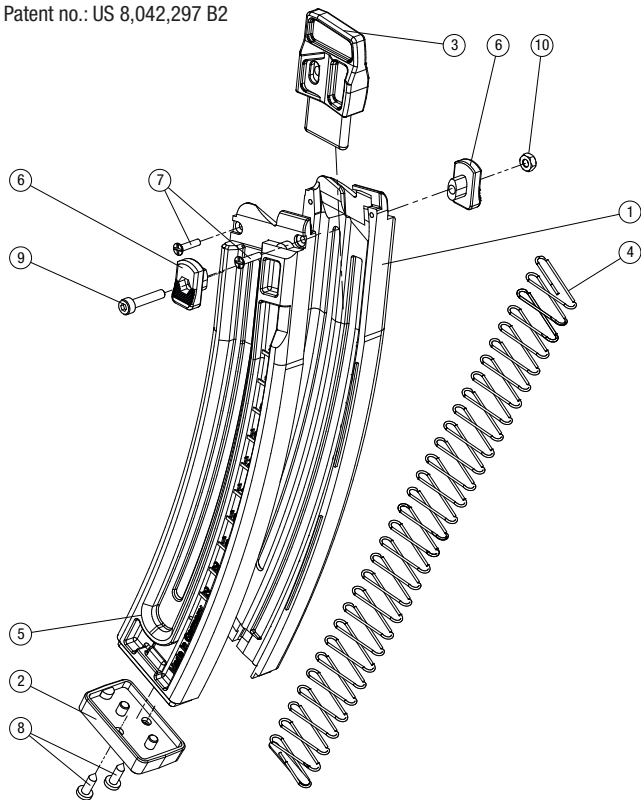


1		25	Goupille de chien de percussion
2		26	Sûreté de chargeur
3	Platine gauche	27	Ressort de rappel
4	Levier de rappel de détente	28	Écrou
5	Buton du levier de rappel de détente	29	Tige de percussion
6		30	Rondelle
7	Platine droit	31	Ressort de percussion
8	Guide Ressort	32	Rondelle de guidage
9	Ressort de la détente	33	Vis
10		34	Poignée
11	Détente	35	Plaque de sécurité
12	Sécurité de détente	36	Rondelle
13	Goupille	37	Rondelle
14	Gachette	38	Ressort
15	Cran de sûreté	39	Vis
16	Goupille cylindrique	40	
17	Ressort	41	Levier de sécurité (côté droit)
18	Déconnecteur	43	
19	Goupille cylindrique	44	Levier de sécurité (côté gauche)
20	Goupille cylindrique	45	Vis du Levier de sécurité
21	Ressort	46	Calotte
22	Chien de percussion	47	Verrou de chargeur
23	Goupille de chien de percussion	50	Goupille de la crosse
24	Rondelle de chien de percussion	51	vis de la goupille de la crosse

GSG-16 CAL. .22

Magasin

Patent no.: US 8,042,297 B2



1 Moitié droite du chargeur

2 Talon du chargeur

3 Planchette d'alimentation

4 Ressort du chargeur

5 Moitié gauche du chargeur

6 Bouton du chargeur

7 Vis

8 Vis de la talon du chargeur

9 Vis

10 Écrou

INTRODUCCIÓN

EN

DE

FR

ES



INSTRUCCIONES DE SEGURIDAD _____ 2-3



DESCRIPCIÓN _____ 4-5, 20-23



DATOS TÉCNICOS _____ 6



MANIPULACIÓN Y SERVICIO _____ 7-13



CUIDADO Y MANTENIMIENTO _____ 14-17



ADVERTENCIA

¡SE REQUIERE PROTECCIÓN DE LOS OJOS.
SIEMPRE USE GAFAS



INSTRUCCIONES DE SEGURIDAD



ADVERTENCIA

EL INCUMPLIMIENTO DE LAS INSTRUCCIONES Y RECOMENDACIONES EXPUESTAS EN ESTE MANUAL PUEDE RESULTAR EN LESIONES CORPORALES GRAVES (INCLUYENDO LESIONES DE LA CARA, DE LOS OJOS, DE LAS OREJAS, ASÍ COMO LA CEGUERA, LA SORDERA) Y TAMBIÉN PUEDE CAUSAR LA MUERTE.

- Nunca haga uso del arma bajo la influencia del alcohol o de drogas, si está enfermo o padece cualquier otro tipo de molestias; todo ello puede disminuir su capacidad de juicio o sus reflejos.
- Antes de utilizar el arma, asegúrese de estar completamente familiarizado con todas sus funciones y de ser consciente de los peligros que pueden resultar en caso de no seguir las instrucciones.
- Siempre trate el arma como si estuviera cargada y como si el seguro estuviera desactivado hasta comprobar lo contrario.
- Siempre mantenga la boca del arma apuntando hacia una dirección segura. Por dirección segura se entiende una zona en la que no se encuentren ni personas (incluido usted mismo), ni animales, ni objetos sobre los que no tenga intención de disparar.
- Nunca apunte la pistola hacia puertas, placas de vidrio/ventanas, paredes, hormigón, piedras o superficies planas (incluyendo agua). Un proyectil puede atravesar estos materiales o ser desviado en una dirección no segura.
- No se fíe nunca de los mecanismos de seguridad, ya que éstos no son en ningún caso un sustituto para una manipulación precavida, correcta y segura del arma.
- Nunca dispare con un arma en la que se haya(n) infiltrado agua, arena, suciedad u otros cuerpos extraños.

INSTRUCCIONES DE SEGURIDAD

- Nunca deje el arma cargada y descárguela siempre inmediatamente después de disparar, antes de depositar el arma, enfundarla en una pistolera o entregarla a otra persona autorizada.
- Antes de guardar el arma, quite primero el cargador y luego verifique que no haya ningún cartucho en la recámara.
- No entregue el arma nunca a una persona que no se haya familiarizado en profundidad con las indicaciones de seguridad así como con el manejo del arma mediante la lectura de las instrucciones de uso pertinentes.
- Nunca deje el arma sin vigilancia y manténgala siempre fuera del alcance de las manos de personas no autorizadas.
- Guarde siempre por separado el arma y la munición y asegúrese de que no se hallen al alcance de niños o personas no autorizadas.
- Mientras no dispare, siempre mantenga su dedo fuera del gatillo.
- Asegúrese de siempre tener un parabalas adecuado, y nunca dispare hacia el cielo.
- Compruebe que usted y cualquier otra persona cerca de usted utilicen orejeras y gafas de protección ocular apropiadas (gafas de tiro).
- Durante las sesiones de tiro en campos de tiro cerrados se debe asegurar una ventilación suficiente.
- No intente nunca cruzar obstáculos, ríos, cercos u objetos similares con un arma cargada.
- Mantenga sus dedos fuera de las partes móviles del arma, es decir, fuera de la parte expuesta del cerrojo en la ventana de expulsión, fuera de la palanca de carga así como fuera de la boca del arma.
- Utilice para el arma únicamente municiones de calidad comercial y fabricadas de conformidad con las normas CIP o SAAMI. Nunca use municiones no normalizadas, reacondicionadas/recargadas o cargadas a mano.
- Nunca utilice munición que presente deformaciones de cualquier tipo o que haya sido deformada debido a un mal funcionamiento del arma.
- Si usted observa un mal funcionamiento (p.ej. un fallo de extracción, un fallo de alimentación, un fallo de expulsión o un atasco de vaina (es decir, un casquillo atrapado), deje de disparar inmediatamente y descargue la pistola.
- Si, debido a un cartucho no cargado o insuficientemente cargado, un proyectil no sale del cañón, este fallo es reconocible por un retroceso anormalmente ligero e incluso ausente y/o por la debilidad o ausencia de fogonazo. En todos esos casos, deje de disparar inmediatamente hasta que el arma haya sido debidamente examinada y el proyectil problemático retirado por un armero profesional. ¡No intente nunca sacar una bala atascada por medio de otro disparo!
- En caso de un fallo de encendido, espere al menos un minuto mientras continuando a apuntar el arma lista para disparar hacia el blanco o en una dirección segura; después, descargue el arma.

ADVERTENCIA

¡EL ARMA DEBE SER UTILIZADA SÓLO CUANDO LA CULATA ESTÉ MONTADA! EL ARMA ESTÁ CONCEBIDA PARA SU USO ÚNICAMENTE CON LA CULATA MONTADA. LA CULATA SÓLO PUEDE SER DESMONTADA PARA FINES DE LIMPIEZA O REPARACIÓN Y DEBE SER CORRECTAMENTE COLOCADA DE NUEVO ANTES DE REUTILIZAR EL ARMA. CUALQUIER UTILIZACIÓN SIN LA CULATA MONTADA PUEDE RESULTAR EN LESIONES CORPORALES Y TAMBIÉN PUEDE CAUSAR LA MUERTE. EN TODOS ESTOS CASOS, EL FABRICANTE NO ASUME NINGUNA RESPONSABILIDAD. NÓTESE ADEMÁS QUE CUALQUIER MODIFICACIÓN DEL ARMA RESPECTO AL ESTADO DE SUMINISTRO TAMBIÉN DARÁ LUGAR A LA PÉRDIDA DE LA GARANTÍA ASÍ COMO A LA CADUCIDAD DE CUALQUIER PRETENSIÓN DE RESPONSABILIDAD CONTRA EL FABRICANTE Y EL IMPORTADOR.

GSG-16 CAL. .22



DENOMINACIÓN DE LAS PIEZAS

EN

DE

FR

ES

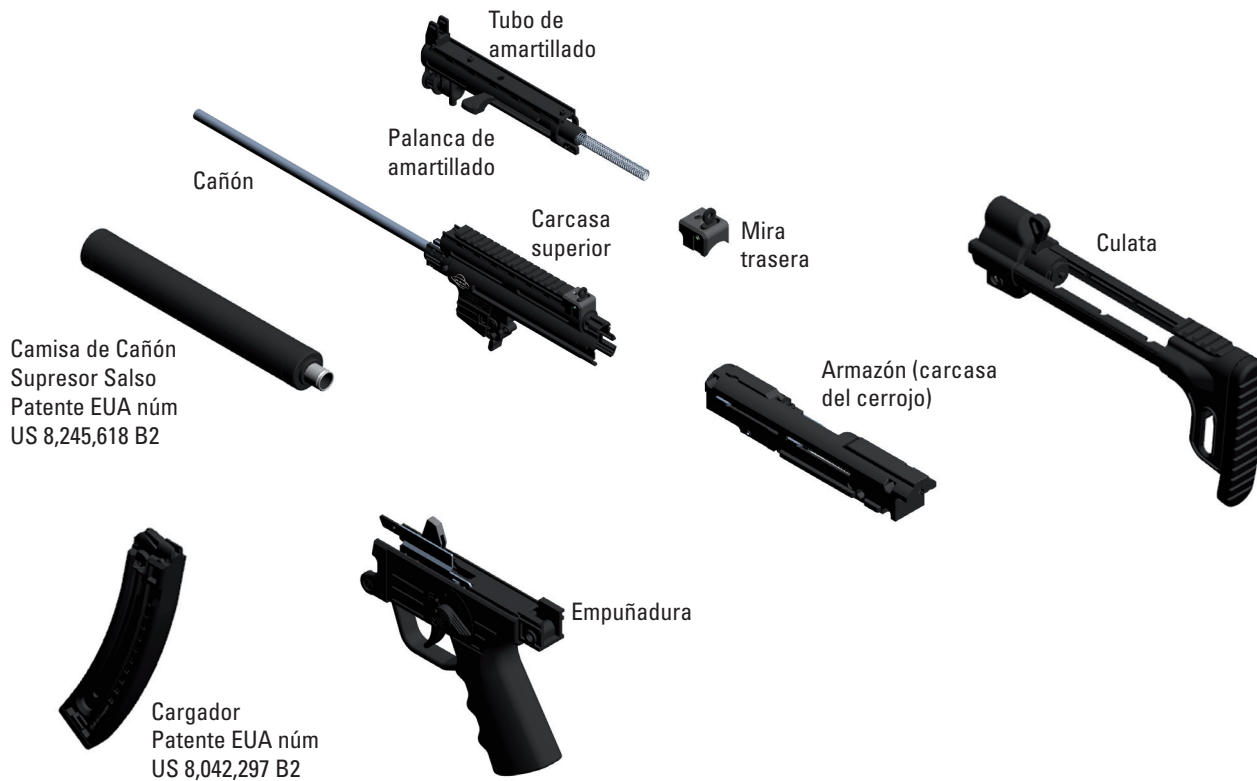


* Cargador no incluido

GSG-16 CAL. .22



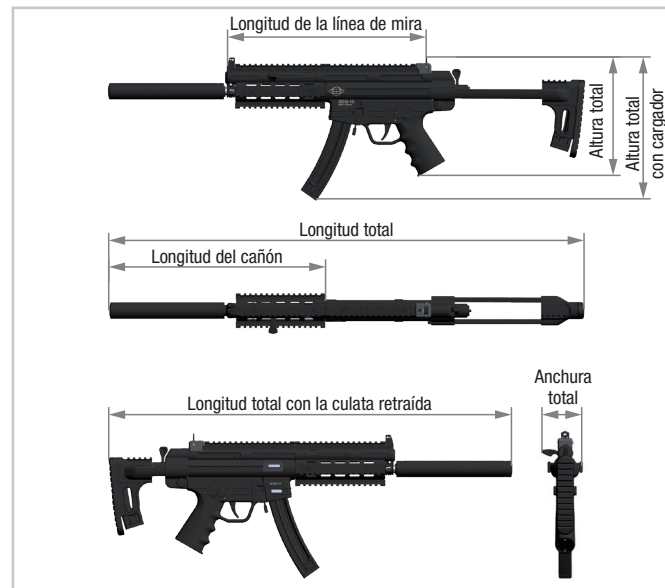
MÓDULOS



GSG-16 CAL. .22

DATOS TÉCNICOS

EN	Calibre	.22 Long Rifle HV
DE	Longitud total	34.18 inch
FR	Longitud total con la culata retraída	28.56 inch
ES	Altura total con cargador	10.32 inch
	Altura total sin cargador	8.59 inch
	Anchura total	2.86 inch
	Longitud del cañón	16.29 inch
	Longitud de rayado	15.98 inch
	Número des ranuras	6
	Longitud de la línea de mira	14.12 inch
	Peso del arma con cargador vacío	5.84 lbs.
	Peso del arma sin cargador	5.62 lbs.
	Peso del cargador vacío	4 oz
	Peso del gatillo	5.50 lbs.
	Capacidad del cargador	22/10*



*opcional

DISPOSITIVOS DE SEGURIDAD

ADVERTENCIA

NUNCA LLEVE NI TRANSPORTE EL ARMA MIENTRAS ESTÉ AMARTILLADA Y/O CARGADA. ES MEJOR AMARTILLAR EL ARMA SOLAMENTE INMEDIATAMENTE ANTES DE DISPARAR.



1. Seguro

Nota: Cuando el cargador se encuentra fuera del arma, el gatillo se bloquea y el arma está en modo seguro.

ATENCIÓN

UN PERNO DE SEGURIDAD DISPUESTO DELANTE DEL PERCUTOR IMPIDE QUE EL PERCUTOR GOLPEE EL CARTUCHO. AL ACCIONAR EL GATILLO, EL PERNO DE SEGURIDAD SE MUEVE HACIA ADELANTE Y LIBERA EL PERCUTOR.

ADVERTENCIA

NO APUNTE EL ARMA A OBJETOS A LOS CUALES NO PIENSA DISPARAR. NO APUNTE NUNCA A PERSONAS O ANIMALES.

CARGAR EL CARGADOR

ADVERTENCIA

UTILICE PARA EL ARMA ÚNICAMENTE MUNICIÓN DE CALIDAD COMERCIAL, ENTREGADA EN SU EMBALAJE ORIGINAL Y CORRESPONDIENTE AL CALIBRE DEL ARMA. EL CALIBRE CORRECTO ESTÁ GRABADO EN EL ARMA. UTILICE PARA EL ARMA ÚNICAMENTE MUNICIONES DE CALIDAD COMERCIAL, FABRICADAS DE CONFORMIDAD CON LAS NORMAS CIP O SAAMI. NUNCA USE MUNICIONES NO NORMALIZADAS, REACONDICIONADAS/RECARGADAS O CARGADAS A MANO.



1. Tire el botón de alimentación del cargador hacia abajo **1** e inserte el cartucho **2** (como se muestra en la figura) hasta el tope trasero.

Nota: Cargue en el cargador solamente la cantidad de cartuchos que desee disparar (máx. 22/10* cartuchos).



CARGAR EL ARMA

EN

DE

FR

ES

ADVERTENCIA

SIEMPRE MANTENGA EL ARMA ASEGURADA (CON EL SEGURO PUESTO), DESAMARTILLADA Y DESCARGADA HASTA QUE ESTÉ LISTO PARA DISPARAR.

ADVERTENCIA

- LA PALANCA DEL SEGURO SIEMPRE DEBE UBICARSE EN LA POSICIÓN "S" (SEGURO ACTIVADO). NUNCA CARGUE NI DESCARGUE EL ARMA DENTRO DE UN VEHÍCULO O EN OTRO ESPACIO CONFINADO (EXCEPTO EN UN CAMPO DE TIRO ADECUADO). ANTES DE CARGAR EL ARMA, LIMPIE LA GRASA Y EL ACEITE SOBANTES Y COMPRUEBE VISUALMENTE LA AUSENCIA DE MATERIAS O CUERPOS EXTRAÑOS EN EL CAÑÓN.
- MANTENGA LA BOCA DEL ARMA SIEMPRE ORIENTADA HACIA UNA DIRECCIÓN SEGURA.
- NO PONGA EL DEDO EN EL GATILLO, SINO QUE MANTÉNGALO FUERA DEL GUARDAMONTE.
- CARGUE EL ARMA SÓLO EN EL MOMENTO INMEDIATAMENTE PREVIO AL DISPARO, INSERTANDO EL CARGADOR.
- TIRE LA PALANCA DE AMARTILLADO HACIA ATRÁS PARA CARGAR EL PRIMER CARTUCHO. **NO CONFÍE NUNCA EXCLUSIVAMENTE EN LOS MECANISMOS DE SEGURIDAD DEL ARMA. LOS MECANISMOS DE SEGURIDAD NO PUEDEN NUNCA SUSTITUIR UN MANEJO CUIDADOSO Y CORRECTO DEL ARMA.**
- NUNCA DEJE UN ARMA CARGADA EN MANOS DE OTRA PERSONA.



1. Inserte el cargador cargado 1 y compruebe que esté completamente enclavado.



2. Tire la palanca de amartillado 2 hacia atrás hasta el tope, entonces hágala deslizar de nuevo hacia adelante.

DISPARAR



1. Ponga la palanca del seguro en la posición "F" (seguro desactivado). El arma está ahora desasegurada y lista para disparar. Apunte en una dirección segura y accione el gatillo **1**. **Nota:** Después del último disparo, el cerrojo es mantenido en posición abierta.

RECARGAR DURANTE EL TIRO

ADVERTENCIA

- COLOQUE LA PALANCA DEL SEGURO EN LA POSICIÓN "S" (SEGURO ACTIVADO).
- MANTENGA LA BOCA DEL ARMA SIEMPRE ORIENTADA HACIA UNA DIRECCIÓN SEGURA.
- RETIRE EL DEDO DEL GATILLO.



- Pulse el botón de retenida del cargador **1** para liberar el cargador y retire el cargador.
- Inserte el cargador cargado y compruebe que está completamente enclavado.
- Tire la palanca de amartillado hacia atrás, entonces hágalo deslizar de nuevo hacia adelante.
- El arma está ahora recargada y amartillada.

ADVERTENCIA

- SÓLO USE EL ARMA CON LA CULATA MONTADA.
- CERCÍO RESE DE QUE SUS DEDOS, MANOS U OTRAS PARTES DEL CUERPO NO SE ENCUENTREN DELANTE, POR ENCIMA O AL LADO DE LA BOCA DEL CAÑÓN O DE LA VENTANA DE EXPULSIÓN DE VAINAS (CASQUILLOS).
- NO PERMITA NUNCA QUE PERSONAS U OTROS SERES VIVOS SE ENCUENTREN SITUADOS EN UN LUGAR DONDE PODRÍAN RECIBIR EL IMPACTO DE LOS CASQUILLOS EXPULSADOS.
- AL DISPARAR, LLEVE SIEMPRE PUESTAS LAS PROTECCIONES AUDITIVAS (OREJERAS) Y LAS GAFAS DE PROTECCIÓN OCULAR (GAFAS DE TIRO). INFORME A LAS PERSONAS DE SUS PROXIMIDADES DE LA NECESIDAD DE TAMBIÉN LLEVAR PROTECCIÓN AUDITIVA (OREJERAS) Y OCULAR (GAFAS DE TIRO).
- INTERRUMPA LOS DISPAROS DE INMEDIATO Y DESCARGUE EL ARMA SI SOSPECHA QUE UN CARTUCHO NO HA SIDO ALIMENTADO CORRECTAMENTE, QUE UNA VAINA (UN CASQUILLO) SE HA ATASCADO, QUE UN PROYECTIL PODRÍA HABER BLOQUEADO EL CAÑÓN O SI UN DISPARO DA LA SENSACIÓN DE SER „DÉBIL“ O EXTRAÑO, O SUENA COMO SI LO FUERA.
- EN CASO DE QUE UN PROYECTIL SE ENCUENTRE ATASCADO EN EL CAÑÓN, NUNCA INTENTE RESOLVER EL PROBLEMA DE BLOQUEO EFECTUANDO OTRO DISPARO.

ATENCIÓN

AL DISPARAR, NO PONGA LA MANO LIBRE EN EL CARGADOR, PUESTO QUE ESTO PUEDE PROVOCAR FALLOS DE FUNCIONAMIENTO. SIEMPRE SUJETE EL ARMA POR EL GUARDAMANOS.

GSG-16 CAL. .22

DESCARGAR EL ARMA - CARGADOR NO VACÍO

EN

DE

FR

ES

ADVERTENCIA

NUNCA DEJE UN ARMA CARGADA EN MANOS DE OTRA PERSONA.

ADVERTENCIA

- CUANDO EL ARMA ESTÁ CARGADA, UN CARTUCHO SE ENCUENTRA EN LA RECÁMARA.
- NUNCA PONGA SU MANO POR ENCIMA DE LA VENTANA DE EXPULSIÓN DE CARTUCHOS.
- APUNTE LA BOCA DEL ARMA EN UNA DIRECCIÓN SEGURA.
- PONGA LA PALANCA DEL SEGURO EN LA POSICIÓN "S" (SEGURO ACTIVADO).



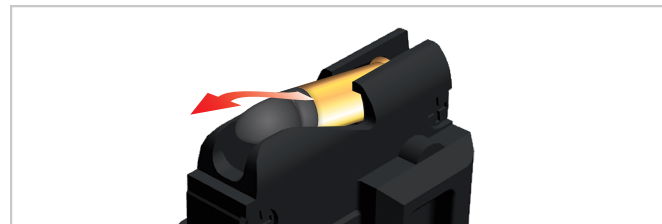
1. Active el seguro del arma y pulse el botón de retenida del cargador 1 para retirar el cargador.



2. Tire la palanca de amartillado hacia atrás hasta el tope para hacer expulsar el cartucho. Compruebe (visual y manualmente con dispositivos de ayuda adecuados) que el cartucho ha sido expulsado y asegúrese de que la recámara esté realmente vacía. Haga deslizar la palanca de amartillado de nuevo hacia adelante.

ADVERTENCIA

EL ARMA ESTÁ AHORA DESCARGADA, PERO NO DESAMARTILLADA.



3. Vacíe el cargador. Recoja el cartucho expulsado y limpie el arma.

DESCARGAR EL ARMA - CARGADOR VACÍO



1. Active el seguro del arma y pulse el botón de retenida del cargador **1** para retirar el cargador. Después del último cartucho, la ventana de expulsión de vainas (casquillos) debe encontrarse en posición abierta. Compruebe (visual y manualmente con dispositivos de ayuda adecuados) que el cartucho ha sido expulsado y asegúrese de que la recámara esté realmente vacía.

ADVERTENCIA

EL ARMA ESTÁ AHORA DESCARGADA, PERO NO DESAMARTILLADA.

DESAMARTILLAR EL ARMA

ADVERTENCIA

COMPRUEBE QUE NINGÚN CARTUCHO SE HAYA QUEDADO EN EL CAÑÓN O EN LA RECÁMARA DE CARTUCHOS.

Desamartillar:

1. Retire el cargador vacío.
2. Tire la palanca de amartillado hacia atrás, entonces hágala deslizar de nuevo hacia adelante. Al mismo tiempo, el cerrojo debe saltar de nuevo hacia adelante de modo que la ventana de expulsión de vainas (casquillos) pueda cerrarse.
3. Inserte un cargador **vacío**.
4. Ponga la palanca del seguro en la posición "F" (arma lista para disparar), apunte el arma en una dirección segura y accione el gatillo.

ATENCIÓN

ACCIONE EL GATILLO SÓLO CUANDO UN CARGADOR VACÍO ESTÉ INSERTADO Y A CONDICIÓN DE QUE NINGÚN CARTUCHO SE HAYA QUEDADO EN LA RECÁMARA DE CARTUCHOS.

5. El percutor salta hacia adelante, el arma está ahora desamartillada.
6. Desplace la palanca del seguro hacia la posición "S" (seguro activado) y retire el cargador vacío.

ADVERTENCIA

SI, DESPUÉS DE ESTE PROCEDIMIENTO, USTED MUEVE LA PALANCA DE AMARTILLADO HACIA ATRÁS, EL ARMA SE REAMARTILLA, LO QUE SIGNIFICA QUE ¡ EL ARMA ESTÁ DE NUEVO LISTA PARA DISPARAR!

MIRAS

EN

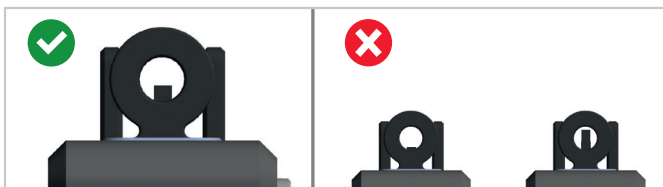
DE

FR

ES

⚠ **ADVERTENCIA**

NO APUNTE EL ARMA A OBJETOS A LOS CUALES NO PIENSA DISPARAR. NO APUNTE NUNCA A PERSONAS O ANIMALES.

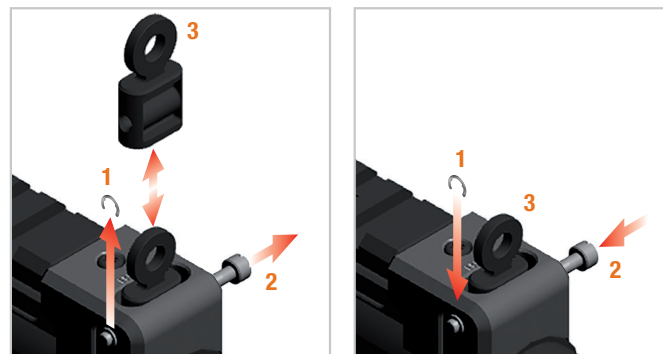
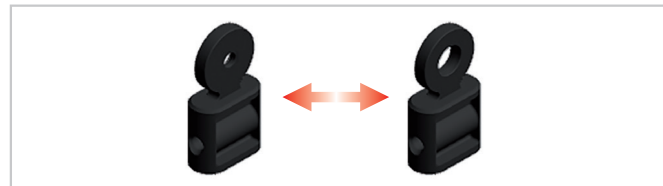


1. Apuntar

MIRAS AJUSTAR LAS MIRAS

⚠ **ADVERTENCIA**

ANTES DE PROCEDER A CUALQUIER AJUSTE, SIEMPRE PONGA LA PALANCA DE AMARTILLADO EN LA POSICIÓN "S" (SEGURO ACTIVADO) Y APUNTE LA BOCA DEL ARMA EN UNA DIRECCIÓN SEGURA.



2. **Reemplazar la mira trasera:** Retire la arandela de seguridad 1 y el tornillo de alza 2. Reemplace la mira trasera 3 y fíjela con el tornillo de alza y la arandela de seguridad.

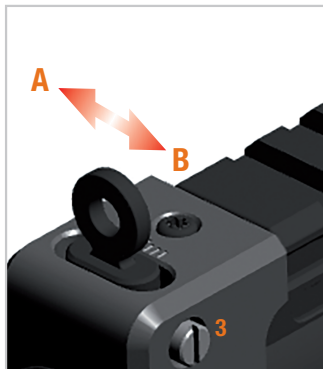
MIRAS AJUSTAR LA CULATA



1. Pulse la palanca de culata 1 (como se muestra en la figura) y ajuste la culata 2 según sea necesario.

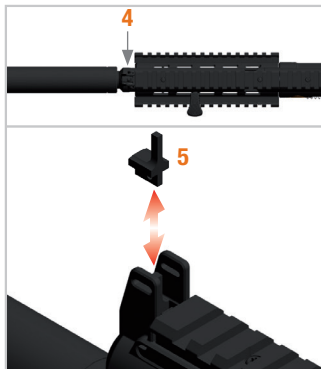


AJUSTAR LAS MIRAS



3. Ajuste en deriva (derecho-izquierda):

Si el punto de impacto está demasiado desplazado hacia la izquierda: Gire el tornillo de alza **3** en dirección contraria a las manecillas del reloj para desplazar la mira trasera hacia **A**. Si el punto de impacto está demasiado desplazado hacia la derecha: Gire el tornillo de alza **3** en dirección de las manecillas del reloj para desplazar la mira trasera hacia **B**.



4. Ajuste en elevación (arriba-abajo):

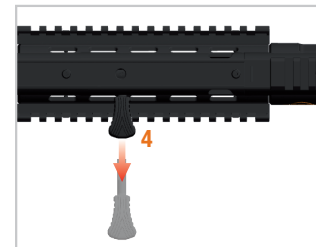
Para reemplazar el punto de mira, afloje el tornillo de fijación **4** y reemplace el punto de mira **5** de la siguiente manera: Si el punto de impacto es demasiado alto, utilice un punto de mira con mayor longitud para bajar el tiro. Si el punto de impacto es demasiado bajo, utilice un punto de mira con menos longitud para elevar el tiro. Apriete nuevamente el tornillo de fijación.



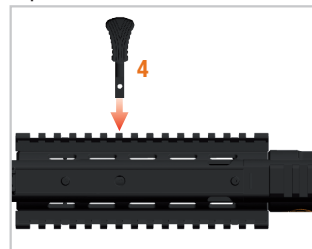
REEMPLAZAR LA PALANCA DE AMARTILLADO



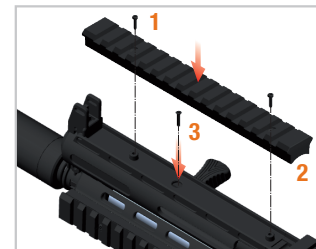
1. Afloje y retire los tornillos del raíl de montaje **1**, luego retire el raíl de montaje **2** (como se muestra en la figura). Afloje y retire el tornillo de la palanca de amartillado **3**.



2. Retire la palanca de amartillado **4** del arma.



3. Inserte la palanca de amartillado **4** en el otro lado.



4. Fije la palanca de amartillado con el tornillo de la palanca de amartillado **3** e instale el raíl de montaje **2** por medio de los tornillos del raíl de montaje **1**.



MANTENIMIENTO – DESMONTAR EL ARMA PARA LIMPIEZA

EN

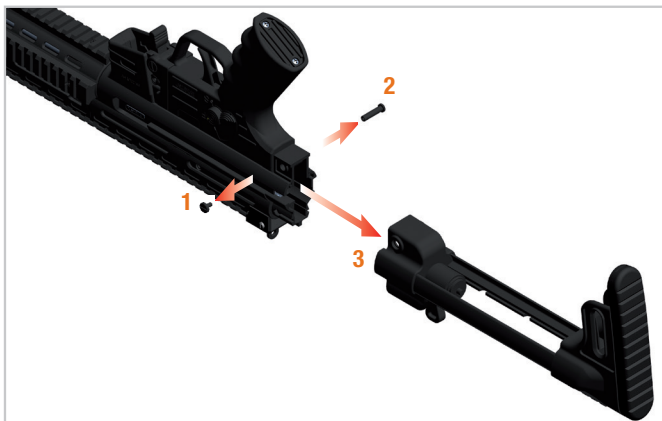
DE

FR

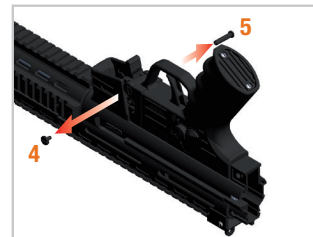
ES

ADVERTENCIA

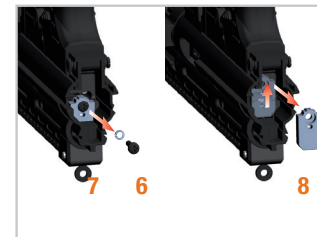
- PONGA LA PALANCA DEL SEGURO EN LA POSICIÓN “S” (SEGURO ACTIVADO).
- SIEMPRE MANTENGA EL ARMA APUNTADA EN UNA DIRECCIÓN SEGURA.
- RETIRE EL DEDO DEL GATILLO.
- VERIFIQUE QUE EL ARMA ESTÉ DESCARGADA Y DESAMARTILLADA.
- ASEGÚRESE DE QUE LA RECÁMARA DE CARTUCHOS ESTÉ VACÍA.



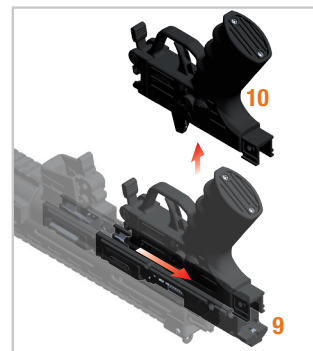
1. Dete la vuelta al arma (orientando el cañón hacia abajo) y apunte la boca del arma en una dirección segura. Afloje el tornillo 1 y retire el perno.
2. Saque la culata 3 tirándola hacia atrás.



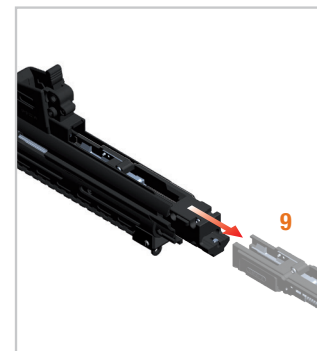
2. Afloje el tornillo 4 y retire el perno 5.



3. Afloje y retire el tornillo 6 y la arandela elástica 7. Haga deslizar suavemente la pieza de encaste 8 hacia arriba y retírela hacia atrás.



4. Haga deslizar suavemente el armazón 9 hacia atrás con la empuñadura 10, entonces retire la empuñadura.



5. Retire el armazón 9 del arma hacia atrás.



MANTENIMIENTO - LIMPIEZA



ATENCIÓN

- NO DESMONTE EL ARMA MÁS ALLÁ DE LO INDICADO EN ESTE MANUAL DE INSTRUCCIONES – LA LIMPIEZA PUEDE HACERSE SIN DESMONTAJE ADICIONAL. CUALQUIER DESMONTAJE ADICIONAL DEBERÁ SER REALIZADO EXCLUSIVAMENTE POR UN PERSONAL CALIFICADO.
- NUNCA UTILICE CEPILLOS DE ACERO NI OTROS OBJETOS Duros O ABRASIVOS PARA LIMPIAR EL CAÑÓN U OTRAS PARTES METÁLICAS DEL ARMA, YA QUE ÉSTOS PUEDEN DAÑAR LA SUPERFICIE INTERIOR DEL CAÑÓN. SÓLO UTILICE VARILLAS DE LIMPIEZA Y CEPILLOS ADECUADOS PARA EL CALIBRE DEL ARMA.
- LOS DISOLVENTES PUEDEN DAÑAR LA SUPERFICIE DEL ARMA. ANTES DE UTILIZAR UN DETERGENTE O DISOLVENTE, OBSÉRVESE LAS INDICACIONES Y ADVERTENCIAS DEL FABRICANTE.

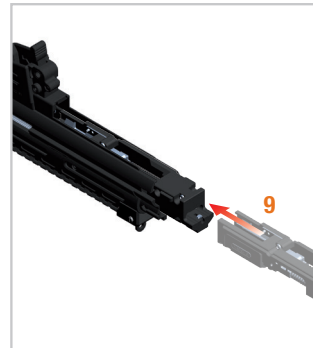
6. Pasos a seguir para la limpieza:

Moje el cepillo de limpieza suministrado con aceite para armas e insértelo en el cañón a través de la recámara. Con el cepillo elimine cuidadosamente los residuos de pólvora y la suciedad del cañón y de la recámara. Use parches de limpieza para quitar el aceite y los residuos de pólvora del interior (alma) del cañón y de la recámara de cartuchos. Lubrique ligeramente el interior de la recámara.

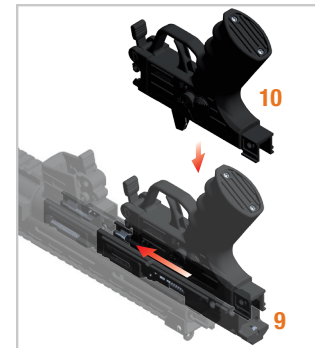


MANTENIMIENTO

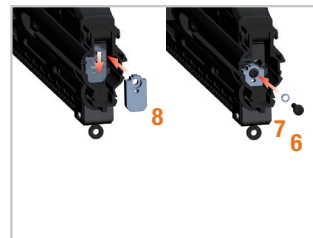
REMONTAJE DESPUÉS DE LA LIMPIEZA



7. Haga deslizar el armazón 9 en el arma hasta aproximadamente la mitad.



8. Recolecte la empuñadura 10 sobre el armazón 9. Luego, haga deslizar el conjunto (armazón y empuñadura) en el arma hasta que haga tope.



9. Instale la pieza de encastre 8 y fíjela mediante el tornillo 6 y la arandela elástica 7.

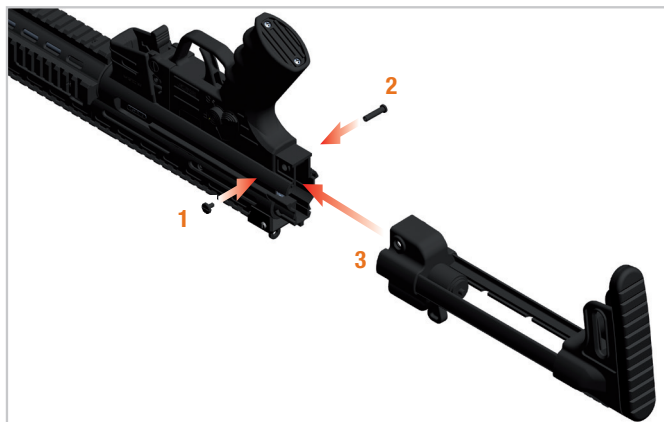


10. Recolecte el perno 5 y fíjelo con el tornillo 4.



MANTENIMIENTO

REMONTAJE DESPUÉS
DE LA LIMPIEZA



11. Haga deslizar la culata **3** en el arma (como se muestra en la figura) y fíjela mediante el perno **2** y el tornillo **1**.



ATENCIÓN

AL INSERTAR LA EMPUÑADURA, EL RESORTE DE LA PALANCA DE RETENCIÓN DEL CERROJO **9** DEBE SER DEVUELTO A SU POSICIÓN INICIAL.



CUIDADO DEL ARMA



ATENCIÓN

- PRESTE SIEMPRE ATENCIÓN EN QUE EL ARMA ESTÉ SIEMPRE EN PERFECTAS CONDICIONES Y QUE SE ENCUENTRE EN ESTADO PLENAMENTE FUNCIONAL.
- LIMPIE EL ARMA DESPUÉS DE CADA UTILIZACIÓN.
- NUNCA MODIFIQUE NI REPARE USTED MISMO LAS PIEZAS DEL ARMA.
- UNA VEZ POR AÑO, LLEVE EL ARMA A UN ARMERO CALIFICADO PARA QUE LA REVISE, YA QUE LOS DEFECTOS, EL DESGASTE, LA CORROSIÓN, ETC. NO SIEMPRE SE DETECTAN A SIMPLE VISTA.
- NO OBSTANTE, PARA LOS TRABAJOS DE MANTENIMIENTO Y REPARACIONES RECOMENDAMOS QUE ENVÍE EL ARMA A SU DISTRIBUIDOR, PUESTO QUE ÉSTE SIEMPRE TENDRÁ EN STOCK UN SURTIDO COMPLETO DE PIEZAS DE REPUESTO.

EN

DE

FR

ES

SOLUCIÓN DE PROBLEMAS Y ELIMINACIÓN DE FALLOS

ATENCIÓN

EL MANTENIMIENTO DEL ARMA (LIMPIEZA Y REVISIÓN) SEGÚN LAS INDICACIONES PUEDE PREVENIR FALLOS DE FUNCIONAMIENTO. SIN EMBARGO, EN CASO DE QUE SURGIERA UN FALLO FUNCIONAL AL DISPARAR, PROCEDA DE LA SIGUIENTE MANERA :

ADVERTENCIA

APUNTE EL ARMA EN UNA DIRECCIÓN SEGURA Y MANTENGA LOS DEDOS ALEJADOS DEL GATILLO MIENTRAS EJECUTA LAS ACCIONES QUE SE DESCRIBEN A CONTINUACIÓN:



1. Retire el cargador.



2. Tire la palanca de amartillado hacia atrás hasta el tope y manténgala en esta posición.



3. Compruebe (visualmente o con una herramienta), que no haya ningún proyectil, cartucho, casquillo o cuerpo extraño en el interior (alma) del cañón o en la recámara de cartuchos.

4. Si hay un proyectil atascado en el interior (alma) del cañón, desmonte el arma y encargue a un armero para que elimine el bloqueo con las herramientas apropiadas.
5. Retire todos los cartuchos, todas las vainas (casquillos) y cualquier cuerpo extraño.
6. Limpie y lubrifique el arma y móntela de nuevo.
7. Haga revisar el arma por un armero o un mecánico de armas.



CONSERVACIÓN, ALMACENAMIENTO SEGURO Y TRANSPORTE DEL ARMA

EN

CONSERVACIÓN Y ALMACENAMIENTO

DE

ADVERTENCIA

- CONSERVE EL ARMA SIEMPRE DESCARGADA Y EN ESTADO LIMPIO.
- ALMACENE EL ARMA SIEMPRE SEPARADA DE LA MUNICIÓN Y BAJO LLAVE.
- EL ARMA Y LA MUNICIÓN NO DEBEN RESULTAR ACCESIBLES PARA NIÑOS, NI PARA PERSONAS INEXPERTAS O NO AUTORIZADAS.

FR

ES

TRANSPORTE

ADVERTENCIA

- POR SU PROPIA SEGURIDAD Y LA SEGURIDAD DE OTROS, TRANSPORTE SIEMPRE EL ARMA DESCARGADA Y DESAMARTILLADA.
- NO LLEVE NUNCA CONSIGO UN ARMA YA AMARTILLADA QUE CONTIENE UN CARTUCHO EN LA RECÁMARA.
- TRANSPORTE EL ARMA SEPARADA DE LA MUNICIÓN.
- ASEGÚRESE DE CUMPLIR LA LEGISLACIÓN VIGENTE EN MATERIA DE TRANSPORTE DE ARMAS DE FUEGO .

GARANTÍA

En caso de reclamación de garantía, póngase en contacto con su distribuidor especializado. Describale el problema y adjunte el comprobante de compra .

ELIMINACIÓN

Cumpla rigurosamente con todas las disposiciones legales nacionales en materia de eliminación de armas de fuego.

ACCESORIOS

Si usted desea pedir accesorios para el arma, sírvase visitar el sitio web www.germansportguns.de

En caso de consulta o pedido, sírvase proporcionar las informaciones siguientes:

- Modelo del arma (calibre, denominación)
- Número de serie del arma
- Número de artículo/pieza

Las informaciones contenidas en este manual están sujetas a cambio sin previo aviso. Visite nuestro sitio web www.germansportguns.de para obtener la más reciente versión descargable del manual y para aprender más detalles sobre GSG y su modelo.

GSG-16 CAL. .22

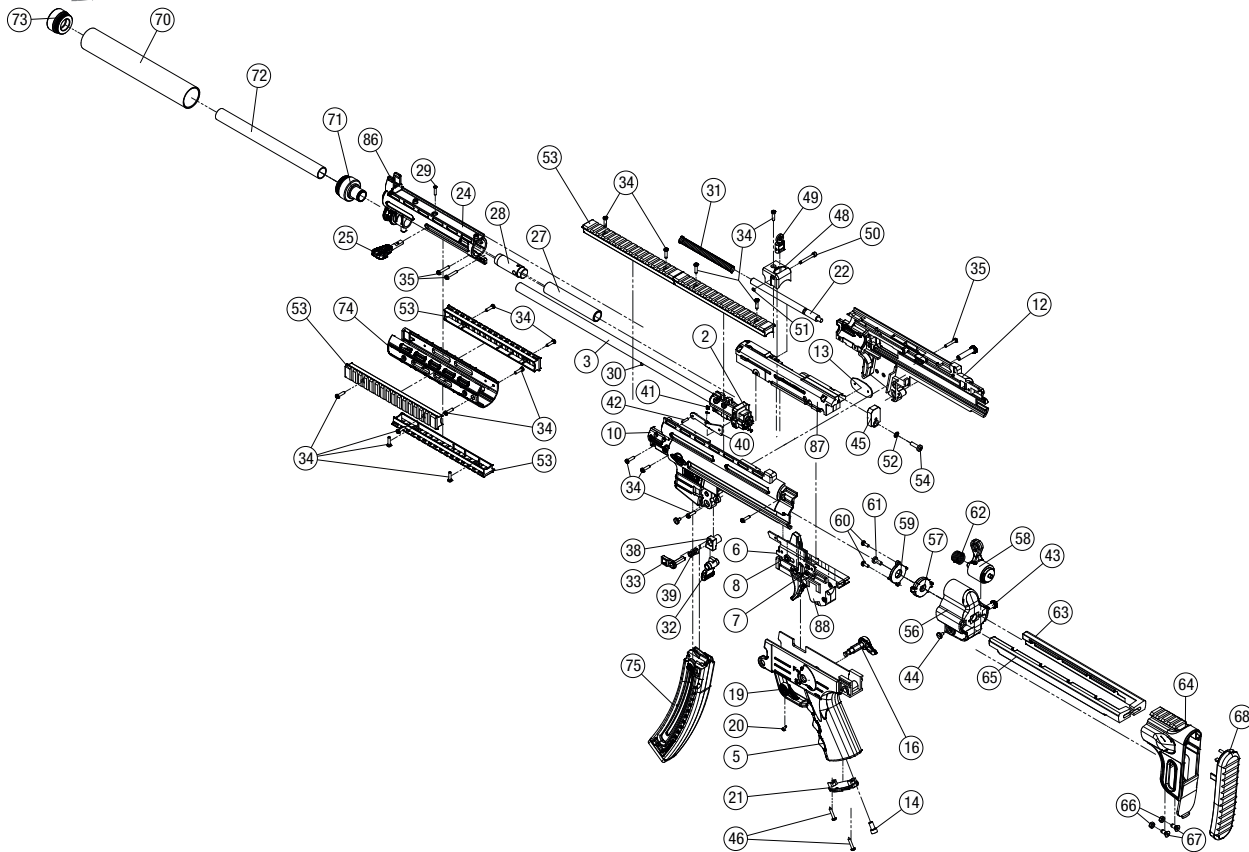
DESPIECE / PIEZAS DE REPUESTO

EN

DE

FR

ES



GSG-16 CAL. .22

1	GSG-16	23		45	Pieza de encastre	66	Tuerca hexagonal
2	Bloque cañón	24	Soporte del punto de mira	46	Tornillo	67	Tornillo
3	Cañón	25	Botón de la palanca de amartillado	47	Mira trasera (Alza) GSG-16	68	Cantonera
4		26		48	Soporte de mira trasera (alza)	69	
5	GSG-16 Empuñadura	27	Tubo de amartillado (parte trasera)	49	Mira trasera (Alza)	70	Camisa de cañón
6	Chapa de seguridad	28	Tubo de amartillado	50	Tornillo	71	Tapa de extremo
7	Arandela	29	Tornillo	51	Arandela de seguridad	72	Tubo central interior (reductor)
8	Arandela	30	Perno roscado con hexágono interior	52	Arandela elástica	73	Boca del cañón
9		31	Resorte	53	Rail Picatinny	74	Delantero
10	Carcasa exterior (parte izquierda)	32	Botón de liberación del cargador	54	Tornillo	75	Cargador
11		33	Retén del cargador	55	Culata deslizante GSG-16	77	
12	Carcasa exterior (parte derecha)	34	Tornillo termoplástico	56	Tapón para culata deslizante	78	
13	Plaquita de inserción	35	Tornillo termoplástico	57	Arandela de bloqueo	79	
14	Tornillo	36		58	Palanca	80	
15		37		59	Arandela de tope	81	
16	Palanca del seguro (lado derecho)	38	Contrasoporte	60	Tornillo	82	
17		39	Resorte	61	Tornillo	83	
18		40	Palanca de retención del cerrojo	62	Resorte	84	
19	Palanca del seguro (lado izquierdo)	41	Resorte	63	Tubo de soporte (lado derecho)	85	
20	Tornillo	42	Pasador cilíndrico	64	Soporte del cargador para culata deslizante	86	Punto de mira estándar
21	Tapón	43	Perno			87	Carcasa del bloque de cerrojo
22	Varilla guía	44	Tornillo	65	Tubo de soporte (lado izquierdo)	88	Alojamiento del sistema de gatillo

GSG-16 CAL. .22



GERMAN SPORT GUNS

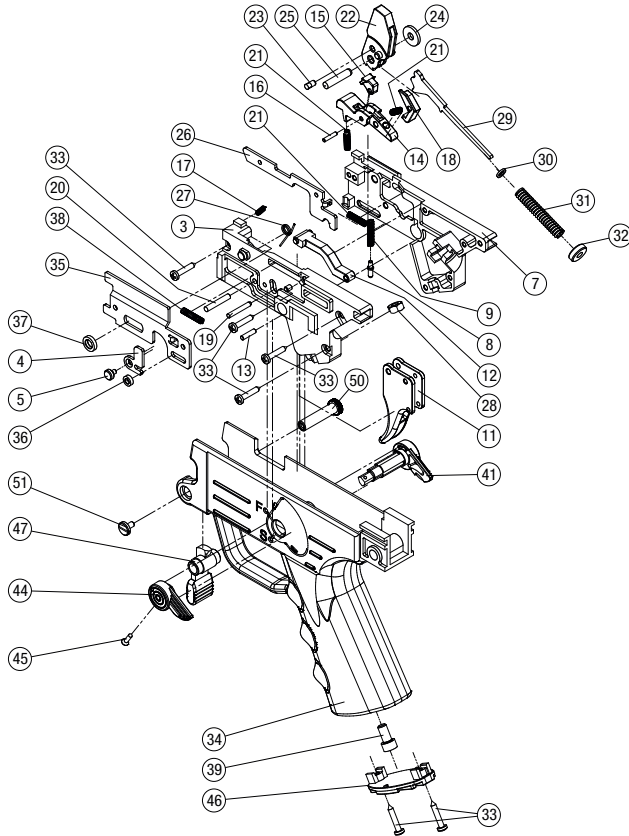
DESPIECE / PIEZAS DE REPUESTO

EN

DE

FR

ES

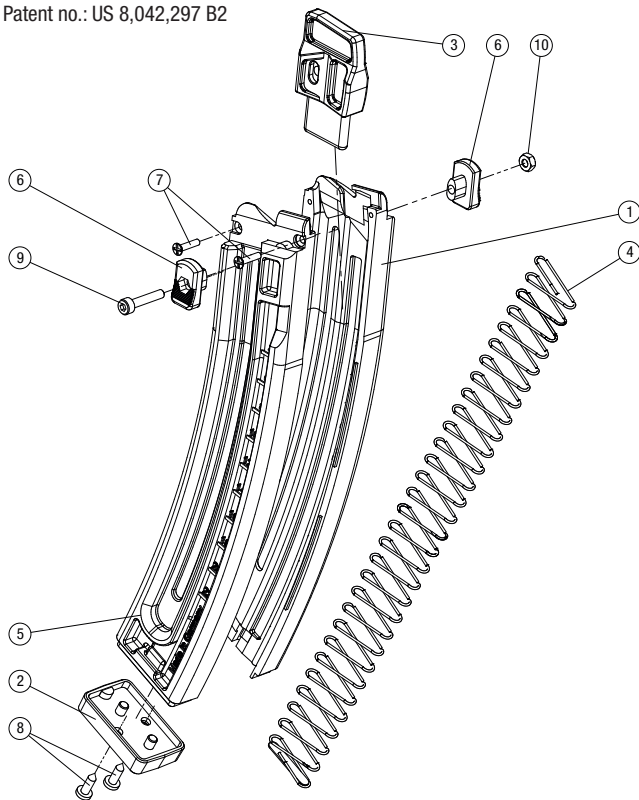


1		25	Pasador de martillo
2		26	Seguro del cargador
3	Carcasa de sistema (lado izquierdo)	27	Resorte de retorno
4	Balancín	28	Tuerca hexagonal
5	Perno para balancín	29	Varilla percutora
6		30	Arandela
7	Carcasa de sistema (lado derecho)	31	Resorte
8	Perno	32	Arandela duía
9	Resorte	33	Tornillo alomado
10		34	Empuñadura
11	Gatillo (Disparador)	35	Chapa de seguridad
12	Dispositivo anticaída	36	Arandela
13	Pasador cilíndrico	37	Arandela
14	Guardamonte	38	Resorte
15	Muesca de seguridad	39	Tornillo
16	Tornillo	41	Palanca del seguro (lado derecho)
17	Resorte	43	
18	Desconector	44	Palanca del seguro (lado izquierdo)
19	Pasador cilíndrico	45	Tornillo
20	Pasador cilíndrico	46	Tapón
21	Resorte	47	Dispositivo de liberación del
22	Palanca de percusion		cargador
23	Pasador cilíndrico semiestrado	50	Pasador de conexión
24	Arandela	51	Tornillo

GSG-16 CAL. .22

Cargador

Patent no.: US 8,042,297 B2



- | | |
|----|------------------------------|
| 1 | Parte derecha del cargador |
| 2 | Base del cargador |
| 3 | Dispositivo de alimentación |
| 4 | Resorte |
| 5 | Parte izquierda del cargador |
| 6 | Botón del cargador |
| 7 | Tornillo termoplástico |
| 8 | Tornillo |
| 9 | Tornillo |
| 10 | Tuerca hexagonal |

Service & Vertrieb Deutschland

German Sport Guns GmbH
Oesterweg 21
D-59469 Ense-Höingen

Telefon: +49 (0)2938 97837-0
Telefax.: +49 (0)2938 97890-31

www.germansportguns.de
info@germansportguns.de

Patent No.

Magazine

US Patent No.
US 8,042,297 B2

Design

US Pending Patent No.
US 29/623,343

Barrel Jacket

US Patent No.
US 8,245,618 B2

Hersteller

German Sport Guns GmbH
Oesterweg 21
D-59469 Ense-Höingen

Telefon: +49 (0)2938 97837-0
Telefax.: +49 (0)2938 97890-31

www.germansportguns.de
info@germansportguns.de



G · S · G