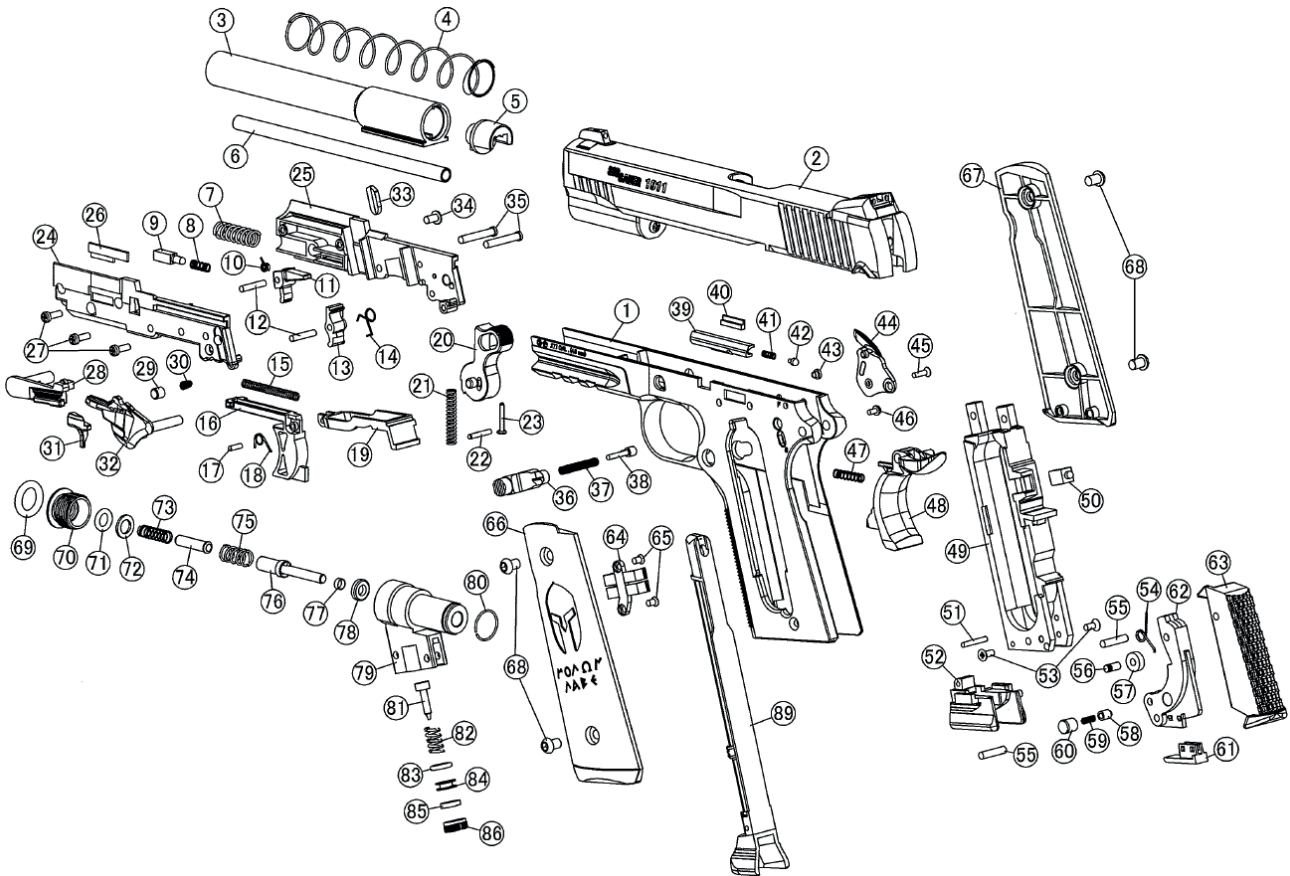


EXPLOSIONSZEICHNUNG

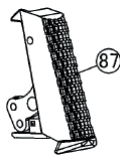
SIG SAUER SPARTAN

SIG SAUER®



1. Frame	26. Left Cover	51. Frame Under Cover Pin	76. Valve Pin
2. Slide Assembly	27. Mechanism Frame Screw	52. Frame Under Cover	77. Valve Seal Collar
3. Outer Barrel	28. Slide Stop	53. Frame Screw	78. Valve Seal
4. Recoil Spring	29. Safety Lock	54. Puncture Clamp Spring	79. Valve Body
5. Outer Barrel End	30. Safety Lock Spring	55. Puncture Clamp Pin	80. Piston Ring
6. Inner Barrel	31. Safety Unlock Button	56. Clamp Roller Pin	81. Pierce Pin
7. Buffer Spring	32. Safety Left	57. Clamp Roller	82. Pierce Pin Spring
8. Slide Stop Plunger Spring	33. Disconnecter	58. Puncture Clamp Lock	83. O-ring P-5 Urethane
9. Slide Stop Plunger	34. Slide Stop Screw	59. Puncture Clamp Lock Spring	84. Pierce Ring
10. Hammer Block Piece Spring	35. Valve Body Pin	60. Puncture Lever Lock Base	85. Pierce Packing
11. Hammer Block Piece	36. Magazine Catch	61. Puncture Clamp Bottom	86. Puncture Pin Holder
12. Mechanism Frame Pin	37. Magazine Catch Spring	62. Puncture Clamp	87. Puncture Clamp Assembly
13. Sear	38. Magazine Catch Plunger	63. Back Grip	88. Valve Body Assembly
14. Sear Spring	39. Safety Plunger Tube	64. Grip Hook	89. Magazine Assembly
15. Trigger Return Spring	40. Safety Plunger Tube Cover	65. Grip Hook Screw	
16. Trigger	41. Safety Plunger Spring	66. Grip Left	
17. Trigger Pin	42. Safety Plunger	67. Grip Right	
18. Trigger Bar Spring	43. Red Dot	68. Grip Screw	
19. Trigger Bar	44. Dummy Safety Right	69. O-ring P-11 1A	
20. Hammer	45. Dummy Safety Right Screw	70. Valve Front Cap	
21. Hammer Spring	46. Safety Screw	71. O-ring P-6 Urethane	
22. Hammer Spring Pressure Pin	47. Grip Safety Spring	72. Valve Washer	
23. Hammer Spring Guide	48. Grip Safety	73. Nozzle Return Spring	
24. Mechanism Frame Left	49. Puncture Frame	74. Feed Nozzle	
25. Mechanism Frame Right	50. Grip Safety Spring Base	75. Valve Spring	

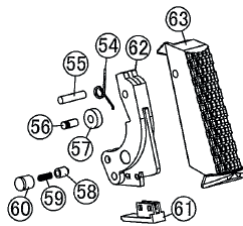
87. Puncture Clamp Assembly



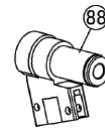
Assembled by

- 54. Puncture Clamp Spring
- 55. Puncture Clamp Pin
- 56. Clamp Roller Pin
- 57. Clamp Roller
- 58. Puncture Clamp Lock

- 59. Puncture Clamp Lock Spring
- 60. Puncture Lever Lock Base
- 61. Puncture Clamp Bottom
- 62. Puncture Clamp
- 63. Back Grip



88. Valve Body Assembly



Assembled by

- 69. O-ring P-11 1A
- 70. Valve Front Cap
- 71. O-ring P-6 Urethane
- 72. Valve Washer
- 73. Nozzle Return Spring
- 74. Feed Nozzle
- 75. Valve Spring
- 76. Valve Pin
- 77. Valve Seal Collar

- 78. Valve Seal
- 79. Valve Body
- 80. Piston Ring
- 81. Pierce Pin
- 82. Pierce Pin Spring
- 83. O-ring P-5 Urethane
- 84. Pierce Ring
- 85. Pierce Packing
- 86. Puncture Pin Holder

