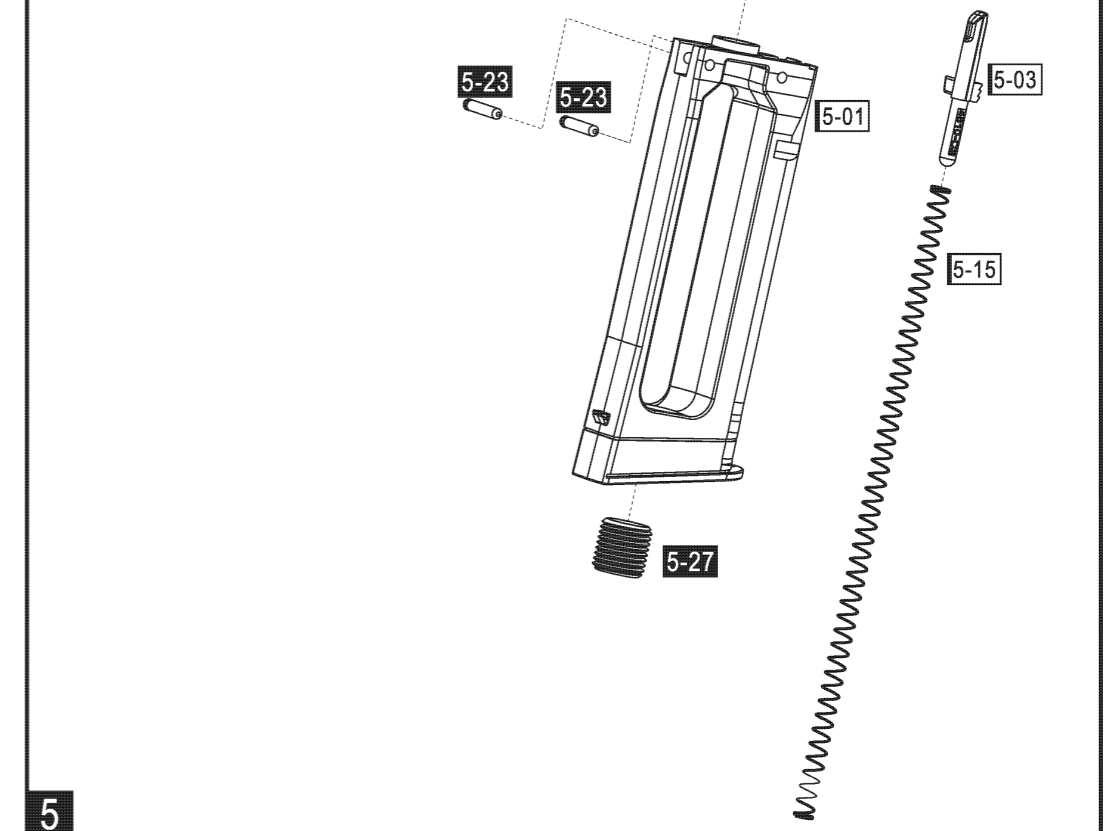
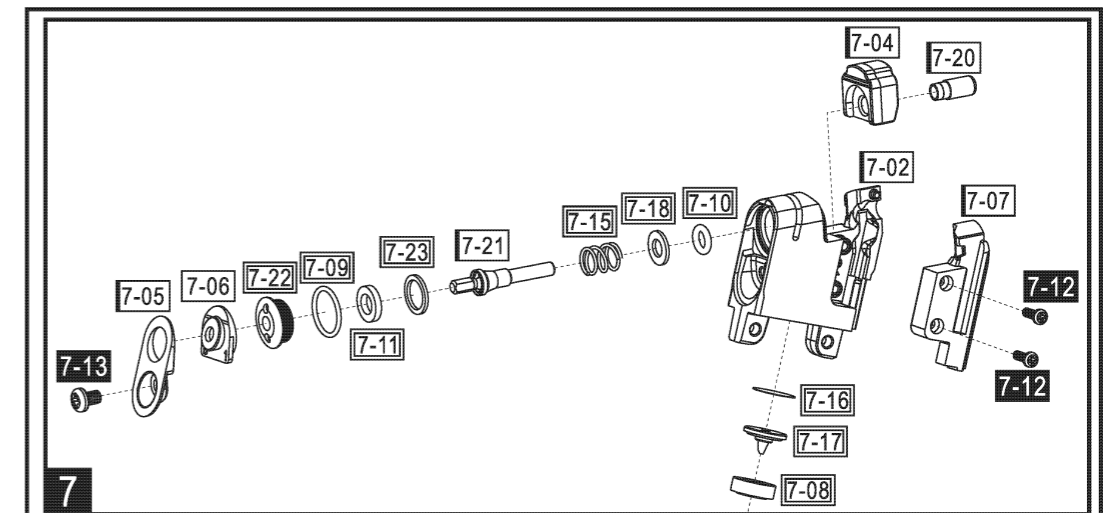
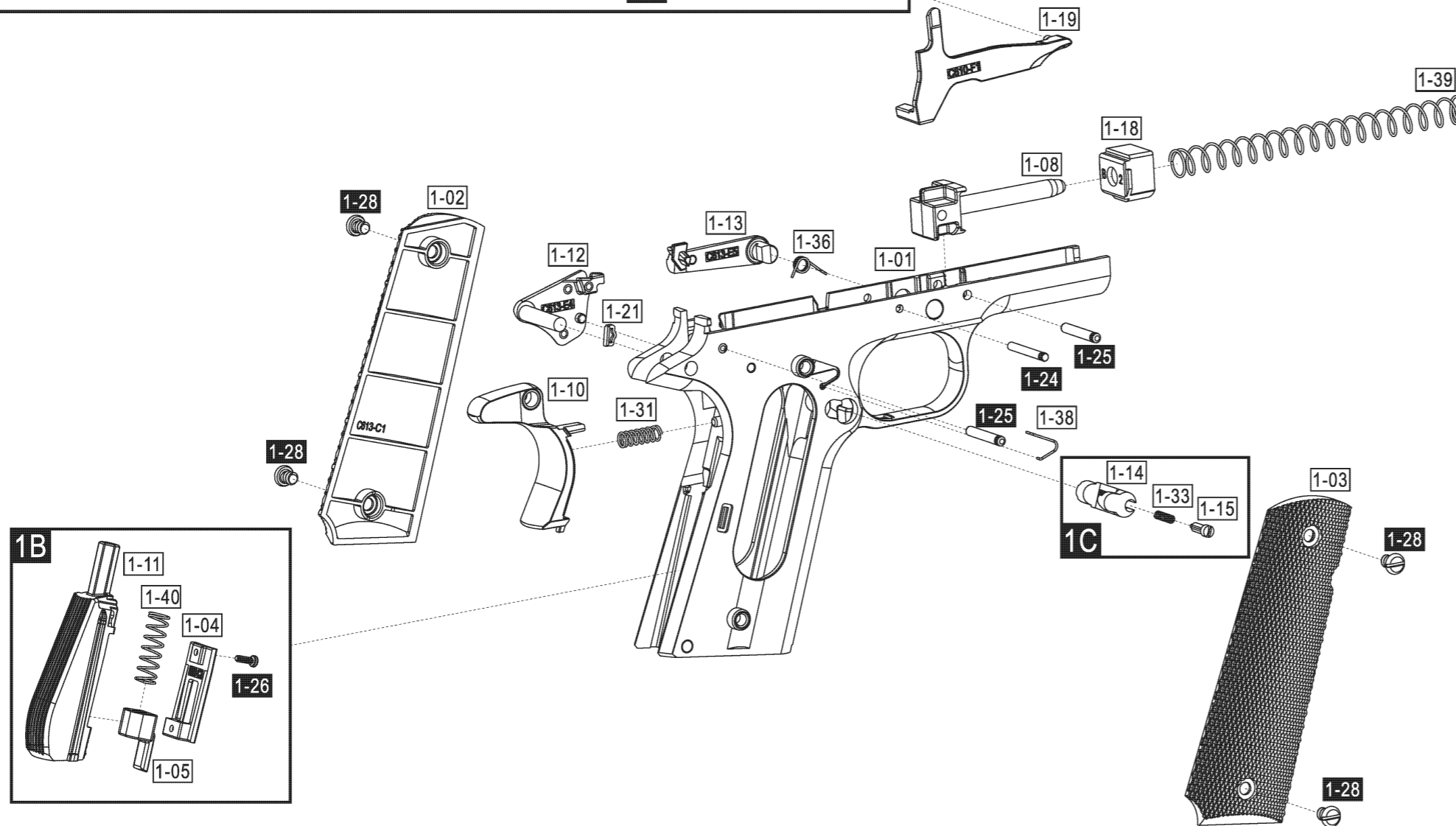
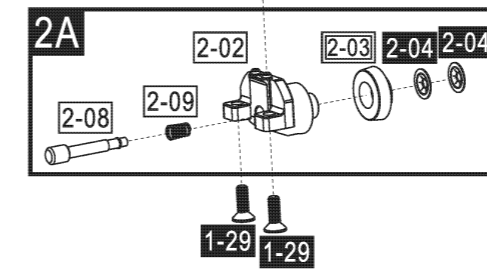
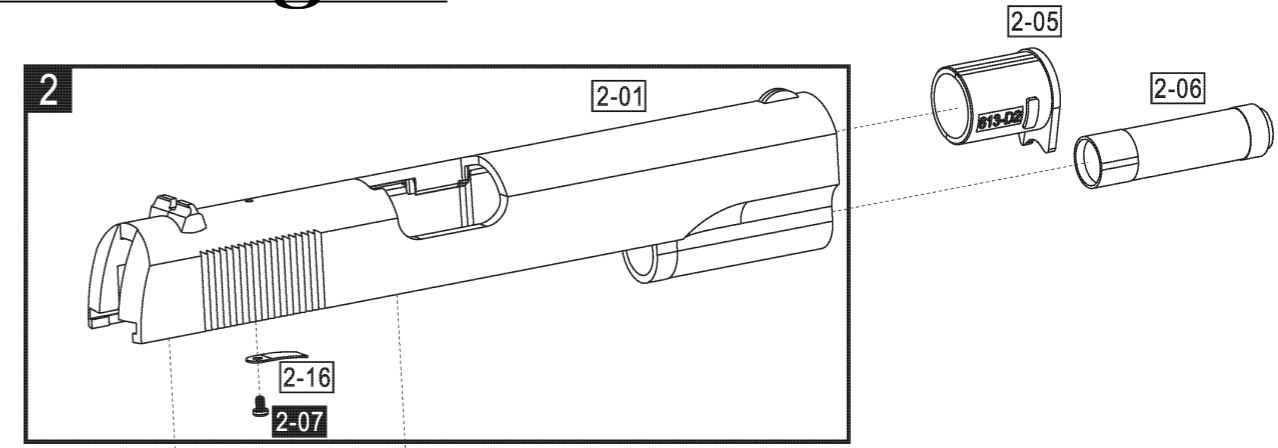
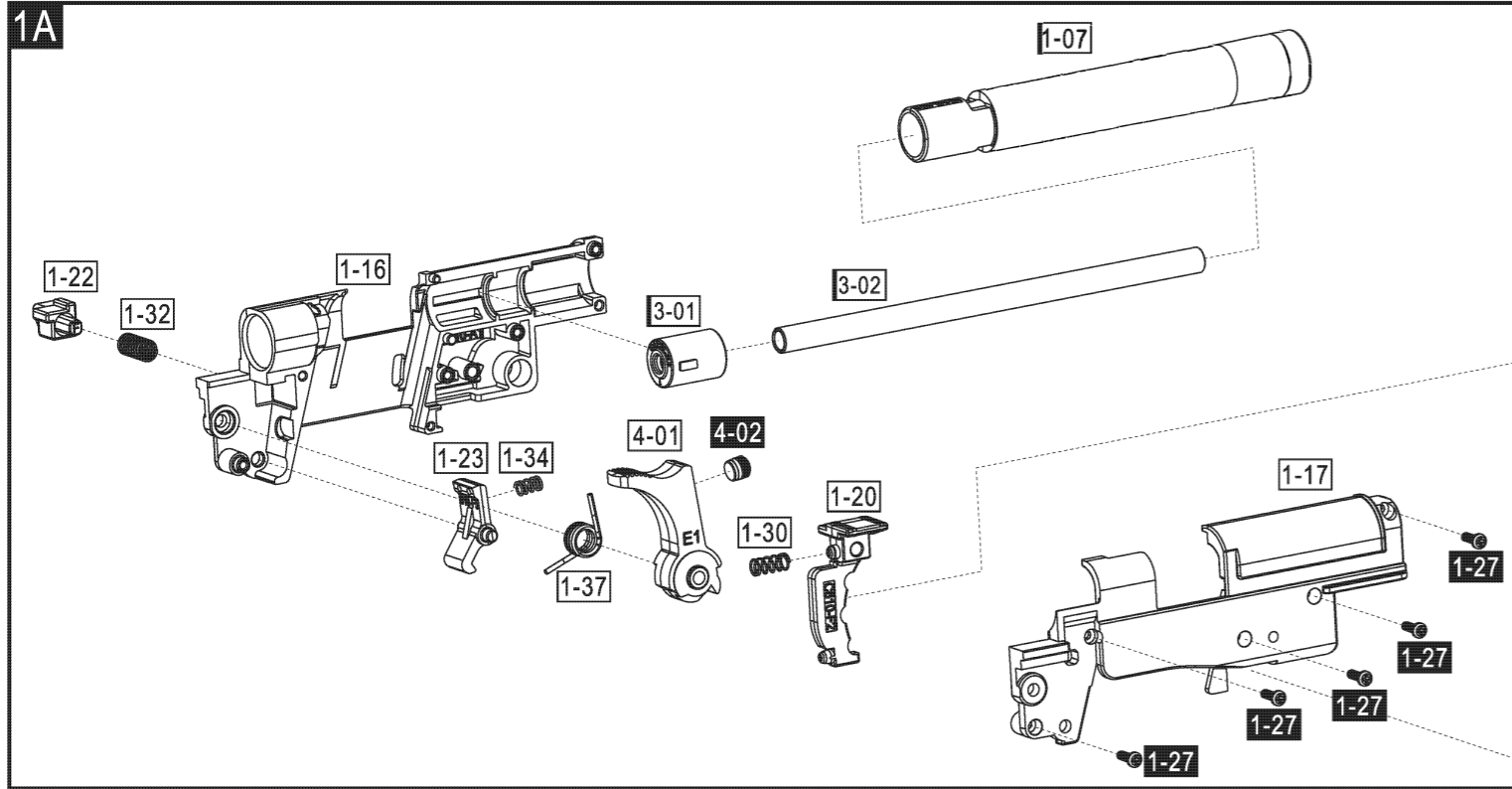


# ASG 1911 US-C Airgun

Item: 19818



## Component list for ASG 1911 US-C Airgun

Parts no.	Item no.	Description	QTY		Parts no.	Item no.	Description	QTY
1-01	C613-W6-A	FRAME	1		<b>2</b>	<b>SLIDE COMBINATION C613-W85-2</b>		
1-02	C613-W1-C1	GRIP ( L )	1		2-01	C613-W6-B	SLIDE	1
1-03	C613-W1-C2	GRIP ( R )	1		2-07	M20-F2040IS0	SCREW 2x4	1
1-06	C613-W1-C5	TRIGGER COVER	1		2-16	M63-C611-3	SPRING CHIP	1
1-08	C613-W6-D4	RECOIL SPRING GUIDE	1		<b>2A</b>	<b>PINSTON SEAT COMBINATION CB613-W85-2A</b>		
1-10	C613-W6-E2	GRIP SAFETY	1		2-02	C610-W6-F4	PISTON SEAT	1
1-12	C613-W6-E4	SAFETY PARTS	1		2-03	CB-W1-A	PISTON	1
1-13	C613-W6-E5	SLIDE STOP	1		2-04	M21-SPN2.5	WASHER	2
1-18	C610-W1-B2	RECOIL SPRING GUIDE SEAL	1		2-08	M63-C613-1	FIXING AXIS	1
1-19	C610-W6-F1	TRIGGER CONNECTOR	1		2-09	M41-CBASC-C	FIXING AXIS SPRING	1
1-21	SCG-W1-C	SAFETY CATCH	1		<b>5</b>	<b>MAGAZINE COMBINATION</b>		
1-24	M10-25210FRB	AXIS 2.5x21	1		5-01	C4610-W6-E	MAG. BODY	1
<b>1-25</b>	<b>M10-30208FRB</b>	<b>AXIS 3x20</b>	<b>2</b>		5-03	C4610-W6-C3	BB FOLLOWER	1
1-28	M20-P4055ET0B	SCREW 4x5.5	4		5-15	M41-C4613-4	MAG. SPRING	1
1-29	M20-F2680B	SCREW 2.6x8	2		5-23	M10-25134FRB	AXIS 2.5x13.4	2
<b>1-31</b>	<b>M41-C613-9</b>	<b>GRIP SAFETY SPRING</b>	<b>1</b>		5-27	M63-C4802-2	PIERCING LEVEL SCREW	1
<b>1-35</b>	<b>M41-C613-7</b>	<b>SLIDE SPRING</b>	<b>1</b>		<b>7</b>	<b>VALVE CHAMBER COMBINATION</b>		
1-36	M43-C806-8	SLIDE STOPPING SPRING	1		7-02	C4610-W6-C1	CHAMBER	1
<b>1-38</b>	<b>M44-C613-3</b>	<b>TRIGGER CONNECTOR SPRING</b>	<b>1</b>		7-04	C4610-W6-C4	BB CARRY PARTS	1
<b>1-39</b>	<b>M41-C613-8</b>	<b>RECOIL SPRING</b>	<b>1</b>		7-05	C4610-W6-C5	VALVE COVER	1
<b>2-05</b>	<b>C613-W25-D2</b>	<b>MUZZLE COVER</b>	<b>1</b>		7-06	C610-W1-B1	VALVE COVER SEAL	1
<b>2-06</b>	<b>C613-W25-D3</b>	<b>RECOIL SPRING GUIDE COVER</b>	<b>1</b>		7-07	C4610-W6-C2	CHAMBER COVER	1
<b>1A</b>	<b>GUN BODY COMBINATION</b>				7-08	CO2-W1-F	PIERCER SEAL	1
1-07	C4613-W6-D1	OUTER BARREL	1		<b>7-09</b>	<b>R12-8011</b>	<b>O RING 8x1.1</b>	<b>1</b>
1-16	C610-W6-A1	BODY SEAT ( L )	1		<b>7-10</b>	<b>C500-W1-I</b>	<b>O RING 4x1.5</b>	<b>1</b>
1-17	C610-W6-A2	BODY SEAT ( R )	1		7-11	CO2-W1-S	SEAL	1
1-20	C610-W6-F2	TRIGGER SEAT	1		7-12	M20-P2060B	SCREW 2x6	2
1-22	C610-W6-F3	SAFETY CATCH	1		7-13	M20-P3040B	SCREW 3x4	1
1-23	C610-W6-F5	HAMMER STOPPER	1		7-15	M41-C117-F	VALVE SPRING	1
1-27	M20-P2050B	SCREW 2x5	5		7-16	M63-CO2-5	FILTER	1
1-30	M41-W4101A-2	TRIGGER SPRING	1		7-17	M63-CO2-6-22	PIERCER	1
1-32	M41-C120-3	SAFETY CATCH SPRING	1		<b>7-18</b>	<b>M63-04808</b>	<b>WASHER</b>	<b>1</b>
1-34	M41-C4802-4	HAMMER STOPPER SPRING	1		7-20	M63-C4613-3	BB CARRY PARTS	1
<b>1-37</b>	<b>M43-C613-2</b>	<b>HAMMER SPRING</b>	<b>1</b>		7-21	M63-C4613-2	VALVE	1
3-04	C4611-W1-M2	BB HOLDER	1		7-22	M63-C611-7	VALVE COVER	1
3-07	M62-C480115	INTERNAL BARREL	1		7-23	M63-079208	WASHER	1
4-01	C613-W6-E1	HAMMER	1					
<b>4-02</b>	<b>M10-5050ET0B</b>	<b>ATTACKED BLOCK</b>	<b>1</b>					
<b>1B</b>	<b>BACK GRIP COMBINATION</b>							
1-04	C613-W1-C3	BACK GRIP	1					
1-05	C613-W1-C4	BACK GRIP COVER	1					
1-11	C613-W6-E3	BACK GRIP	1					
1-26	M20-P2050B	SCREW 2x5	1					
1-40	M41-C613-6	BACK GRIP SPRING	1					
<b>1C</b>	<b>MAG. CATCH COMBINATION</b>							
1-14	C613-W6-E6	MAG. CATCH	1					
1-15	C613-W6-E7	MAG. CATCH PARTS	1					
1-33	M41-C304-1A	MAG. CATCH SPRING	1					